



 **ACORN**
THORN
The Sanitaryware Specialists

INDEX

	Page
Urinals.....	4 to 10
Toilets.....	11 to 18
Stainless Steel Wash Troughs	19 to 24
Solid Surface Wash Troughs	25 to 32
Wash Fountains.....	33 to 36
Drinking Fountains and Bottle Fillers.....	37 to 51
Outdoor Drinking Fountains and Bottle Fillers	52 to 60
Wash Basins	61 to 71
Utility Sinks	72 to 78
Hospital Equipment.....	79 to 90
Wudu Ritual Wash Troughs.....	91 to 93
Catering Sinks and Tables	94 to 101
Showers.....	102 to 106
Safety Showers and Eye Wash Fountains.....	107 to 119
Ligature Resistant Products.....	120 to 126
Washroom Accessories	127 to 135
Taps and Valves	136 to 147
Care and Maintenance.....	148
Material Specifications.....	149
Terms and Conditions.....	150 to 151

WELCOME

At Acorn Thorn we specialise in the supply and manufacture of stainless steel and solid surface products for commercial applications such as schools, factories, hospitals and prisons.

Together with our partner company Morris Group International we manufacture, and supply products designed to meet UK, European and American standards and specifications. Whilst based in the UK we can ship our products all over the world, from single items, to full containers for major projects.

The central location of our warehouse, showroom and office in Gloucester enables us to offer quick fulfilment of your orders. We are unique in the industry with an 11,000 square foot warehouse full of standard products ready for immediate shipment. Our stock holding facilities set us apart from our competitors, enabling us to supply many products on a next working day basis, eliminating excessive lead times.

In addition to our extensive range of stock products, we also specialise in the fabrication of bespoke items. We understand that standard products are not always suitable for every location or project, which is why we are one of the few remaining UK manufacturers to offer this service.

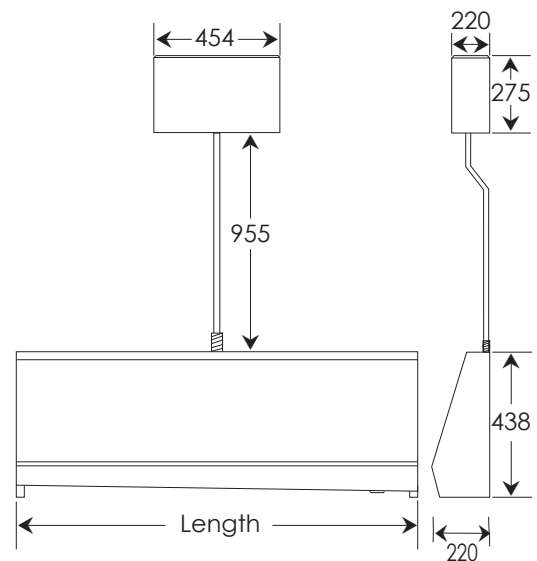
36 years industry knowledge, and 26 years trading experience means we can offer the best solution at the right price for all your stainless steel sanitaryware and solid surface requirements.

We hope this catalogue is a useful tool and guide to the range of standard products we offer. If you have any questions, or special requirements please do not hesitate to contact us.

STAINLESS STEEL URINALS

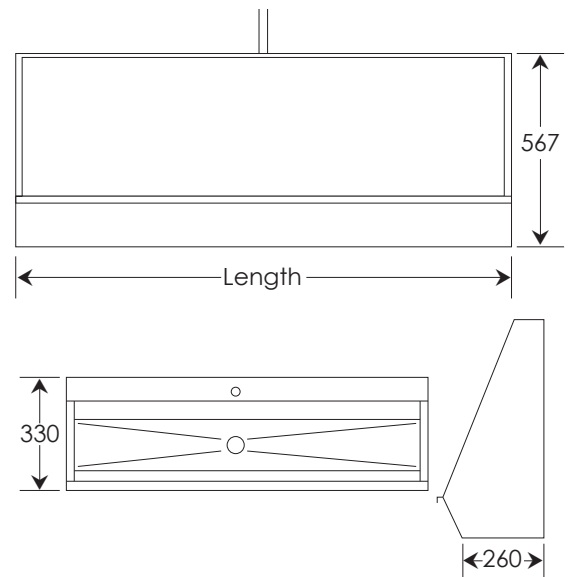
	Page
Wall Hung Trough Urinal.....	5
Heavy Duty Wall Hung Trough Urinal.....	6
Floor Recessed Slab Urinal	7
Floor Standing Slab Urinal.....	8
Floor Standing Trough Urinal	8
Coloured Urinal.....	9
Marnic Water Watch.....	9
Urinal Accessories	10

UR060 WALL HUNG TROUGH URINAL



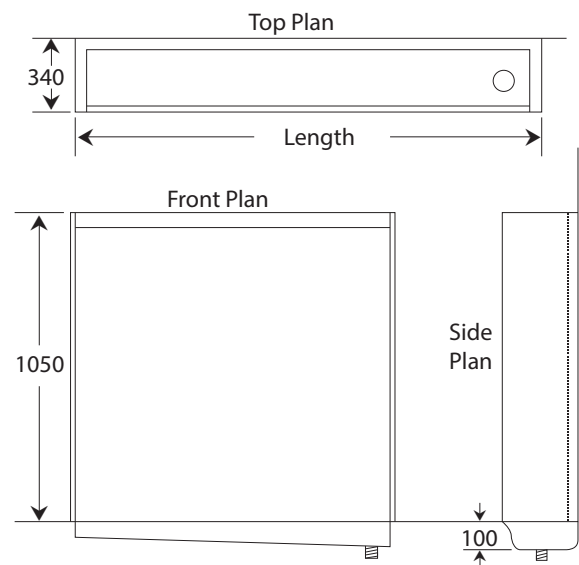
- 6 standard lengths in stock: 900mm | 1200mm | 1500mm | 1800mm | 2100mm | 2400mm
- Left or right hand 38mm dome grated waste fitting
- Grade 304 stainless steel, 1.2mm thick
- Top entry flush pipe connection for exposed cistern
- Complete with stainless steel exposed automatic cistern and flush pipe
- Lengths up to 3300mm available manufactured to order
- Centre waste outlet manufactured to order
- Back entry flush pipe connection for concealed cistern manufactured to order
- Optional down pipe cover, trap cover, trap and water saving flush controller
- Stock urinals 1 to 2 working days | Manufactured to order urinals 10 to 15 working days

UR064 HEAVY DUTY WALL HUNG TROUGH URINAL



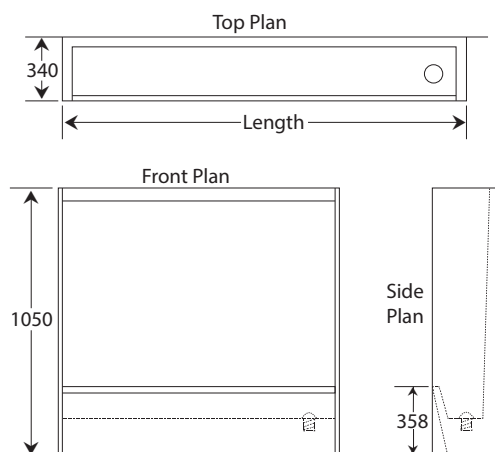
- 5 standard lengths in stock: 1200mm | 1500mm | 1800mm | 2100mm | 2400mm
- Centre 50mm dome grated waste fitting
- Grade 304 stainless steel, 1.6mm thick
- Heavy duty vandal resistant 1.6mm thick construction
- Top entry flush pipe connection for exposed cistern
- Complete with plastic exposed automatic cistern and flush pipe
- Optional stainless steel automatic cistern
- Optional plastic 2" P trap
- Optional Marnic Water Watch flush controller
- In stock 1 to 2 working days

UR066 FLOOR RECESSED SLAB URINAL



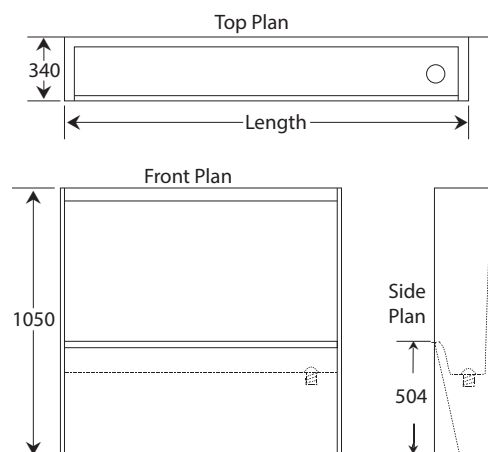
- Manufactured to order up to 3300mm long
- Left or right hand 38mm dome grated waste fitting
- Grade 304 stainless steel, 1.2mm thick
- Top entry flush pipe connection for exposed cistern
- Complete with stainless steel exposed automatic cistern and flush pipe
- Lengths up to 3300mm available in one piece
- Centre waste outlet manufactured to order
- Back entry flush pipe connection for concealed cistern manufactured to order
- Optional down pipe cover, trap and water saving flush controller
- Manufactured to order 10 to 15 working days

UR067 FLOOR STANDING SLAB URINAL



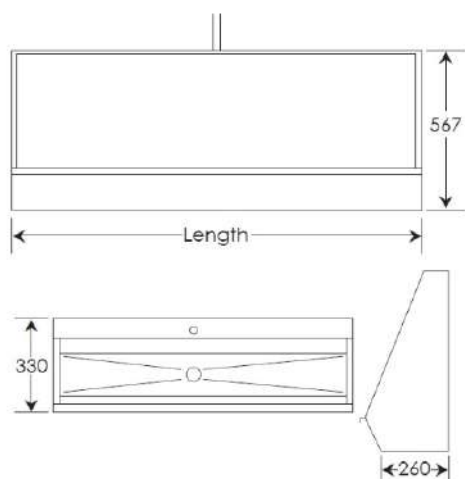
- Manufactured to order up to 3300mm long
- Left or right hand 38mm dome grated waste fitting
- Grade 304 stainless steel, 1.2mm thick
- Top entry flush pipe connection for exposed cistern
- Complete with stainless steel automatic cistern and flush pipe
- Channel raised above floor level with removable access panel
- Optional back entry flush pipe connection for concealed cistern
- Optional Marnic Water Watch flush controller
- Optional stainless steel down pipe cover
- Manufactured to order 10 to 15 working days

UR068 FLOOR STANDING TROUGH URINAL



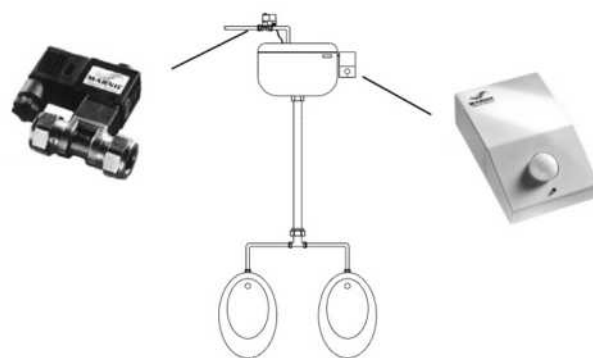
- Manufactured to order up to 3300mm long
- Left or right hand 38mm dome grated waste fitting
- Grade 304 stainless steel, 1.2mm thick
- Top entry flush pipe connection for exposed cistern
- Complete with stainless steel automatic cistern and flush pipe
- Channel at high level with removable access panel
- Optional back entry flush pipe connection for concealed cistern
- Optional Marnic Water Watch flush controller
- Optional stainless steel down pipe cover
- Manufactured to order 10 to 15 working days

C-UR064 COLOURED TROUGH URINAL



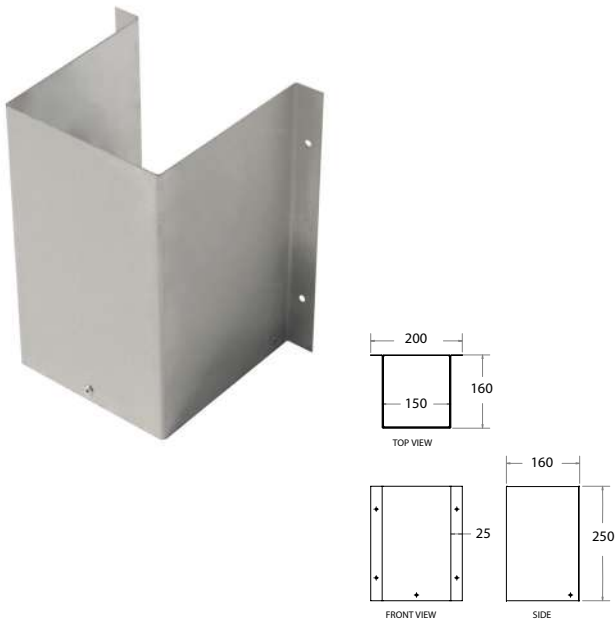
- 5 standard lengths: 1200mm | 1500mm | 1800mm | 2100mm | 2400mm
- Standard colours (Matt finish) - White (RAL 9016), Black (RAL 9005), Red (RAL 3020) and Blue (RAL 5002)
- Centre 50mm dome grated waste fitting
- Grade 304 stainless steel, 1.6mm thick
- Top entry flush pipe connection for exposed cistern
- Complete with plastic automatic cistern and flush pipe
- Optional stainless steel automatic cistern
- Optional plastic 2" P trap
- Optional Marnic Water Watch flush controller
- Manufactured to order 15 to 20 working days

MWB MARNIC WATER WATCH FLUSH CONTROLLER



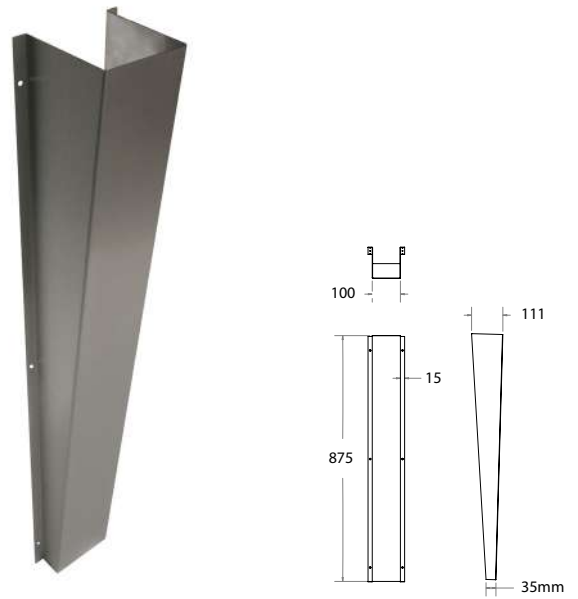
- Infrared operation
- Up to 90% saving in water usage
- Unit registers users and fills cistern to flush urinal 20 minutes after each use
- Maximum 3 flushes per hour in busy times
- Can be set to flush once every 12 or 24 hours in times of no use
- Wide angle PIR sensor
- Mains or battery supply
- Complete with control box and solenoid valve
- Can be fitted to the supply pipework for all automatic cisterns
- In stock 1 to 2 working days

UR060-TC TRAP COVER



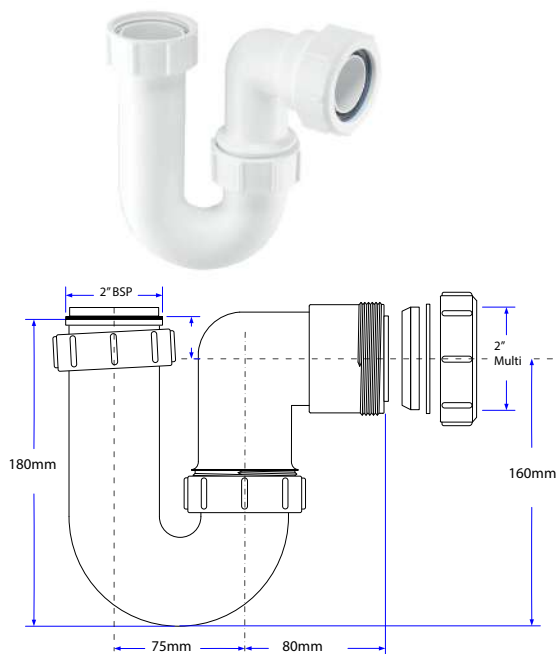
- Stainless steel urinal trap cover
- Suitable for UR060 urinals
- In stock 1 to 2 working days

UR060-DPC DOWN PIPE COVER



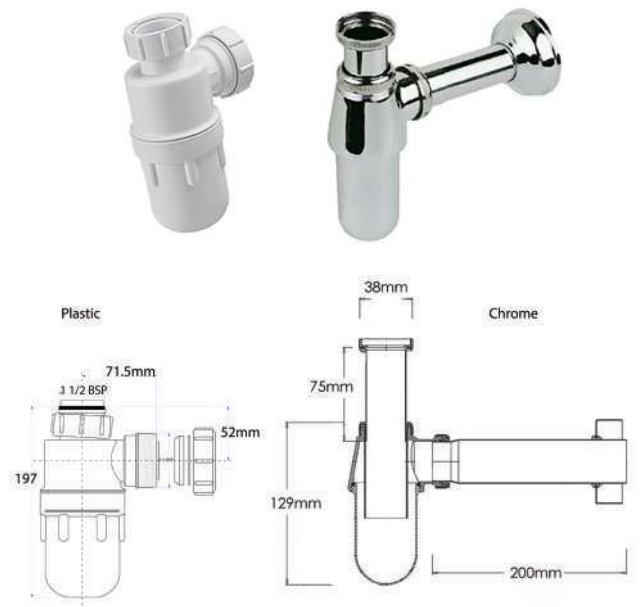
- Stainless steel urinal down pipe cover
- Suitable for UR060, UR066, UR067 and UR068 urinals
- In stock 1 to 2 working days

2INBSP-PTRAP PLASTIC 50MM (2") P TRAP



- McAlpine plastic 2" P trap
- Suitable for UR064 urinals
- In stock 1 to 2 working days

PLASTIC OR CHROME PLATED 38MM (1 1/2") BOTTLE TRAP

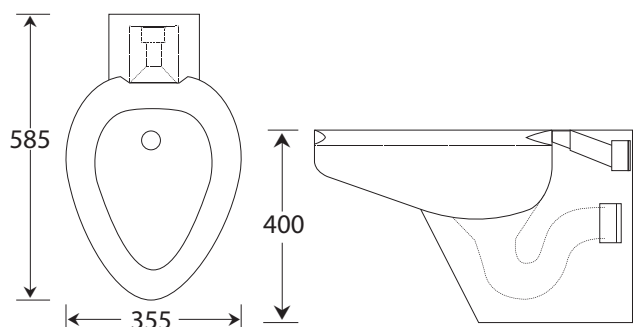


- 38mm bottle trap
- Suitable for UR060 urinals
- In stock 1 to 2 working days

STAINLESS STEEL TOILETS

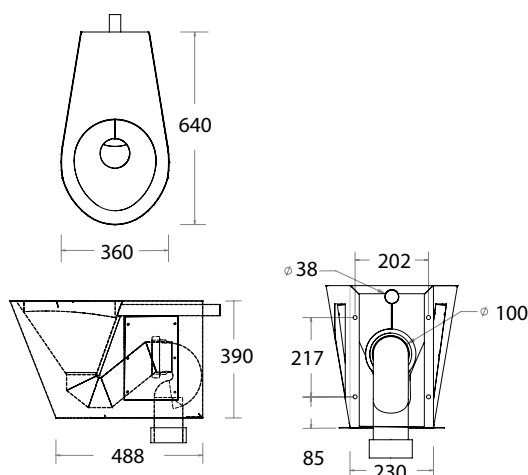
	Page
Back To Wall P Trap Toilet	12
Back To Wall S Trap Toilet	12
Back To Wall P Trap Toilet	13
Close Coupled WC Suite	13
Bariatric Toilet	14
Back To Wall Disabled Toilet.....	14
Wall Hung Toilet.....	15
Squatting Toilet	15
Toilet Cubicles.....	16
Toilet Cubicles.....	17
Toilet Accessories	18

WC102 BACK TO WALL P TRAP TOILET (WITH BUILT IN SEAT)



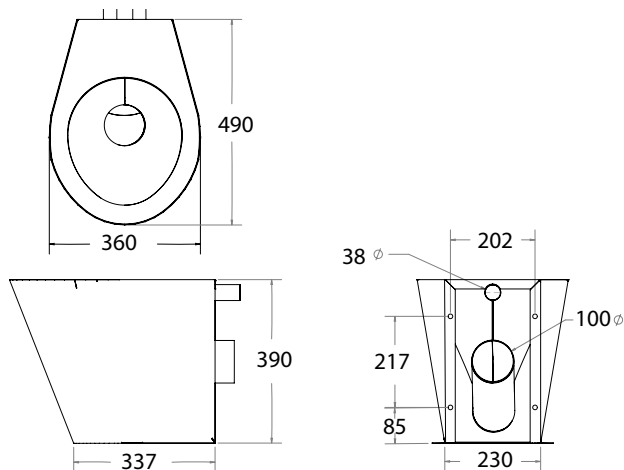
- Grade 304 stainless steel, 1.9mm thick
- Back to wall design for use with a concealed cistern
- Horizontal 100mm diameter outlet
- 55mm diameter inlet
- Effective 3 litre flushing
- Contoured rim for use without a seat
- Complete with inlet connector, concealed floor fixing plate and wall fixing bolts
- Optional white plastic seat and cover
- Optional lever, press button or infrared concealed cistern
- In stock 1 to 2 working days

WC1004 BACK TO WALL S TRAP TOILET



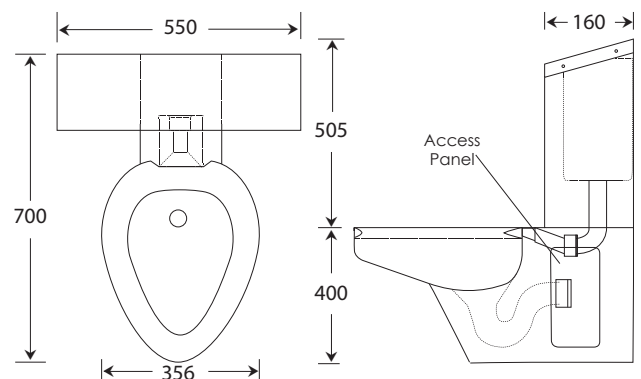
- Grade 304 stainless steel, 1.2mm and 1.6mm thick
- Back to wall design for use with a concealed cistern
- Vertical 100mm diameter outlet with plastic connector
- Side access panels to connect the trap
- 38mm diameter inlet
- Security flushing rim
- Complete with wall fixing bolts and exposed floor fixing lugs
- Optional black plastic seat and cover, or fixed seat pads
- Optional lever, press button or infrared concealed cistern
- Manufactured to order 10 to 15 working days

WC1003 BACK TO WALL P TRAP TOILET



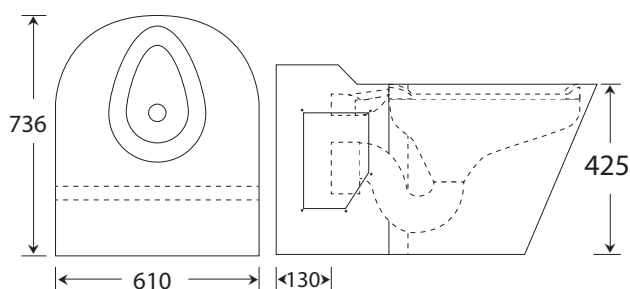
- Grade 304 stainless steel, 1.2mm and 1.6mm thick
- Back to wall design for use with a concealed cistern
- Horizontal 100mm diameter outlet
- 38mm diameter inlet
- Security flushing rim
- Complete with wall fixing bolts and exposed floor fixing lugs
- Optional black plastic seat and cover
- Optional fixed seat pads
- Optional lever, press button or infrared concealed cistern
- In stock 1 to 2 working days

WC091 CLOSE COUPLED WC SUITE



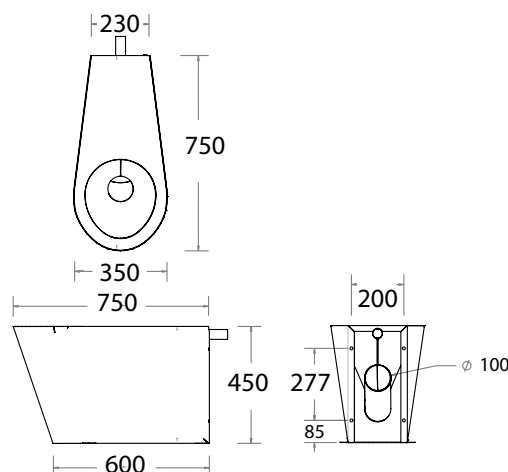
- Grade 304 stainless steel, 1.9mm and 1.6mm thick
- Back to wall toilet with stainless steel cistern enclosure
- Push button operation giving effective 3 litre flushing
- Horizontal 100mm diameter outlet
- Side access panels to fix the toilet and connect the trap
- Contoured rim for use without a seat
- Complete with flush pipe inlet connector and a concealed floor fixing plate
- Optional white plastic seat and cover
- Optional plastic WC connector to convert to a vertical outlet
- In stock 1 to 2 working days

WC122 BARIATRIC TOILET



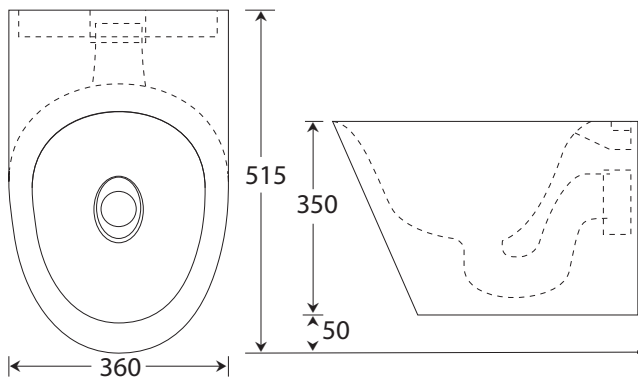
- Grade 304 stainless steel, 2mm thick, white powder coated
- Load tested to 1000 kgs with a wide footprint for rigidity
- Horizontal 100mm diameter outlet
- Back entry flush pipe connection for use with a concealed cistern
- Side access panels to fix the toilet and connect the trap
- Contoured rim for use without a seat or optional Big John toilet seat tested to 500 kgs
- Optional top entry flush pipe connection for use with an exposed cistern
- Optional plastic WC connector to convert to a vertical outlet
- Optional concealed or exposed lever cistern
- In stock 2 to 3 working days

WC1006 BACK TO WALL DISABLED TOILET



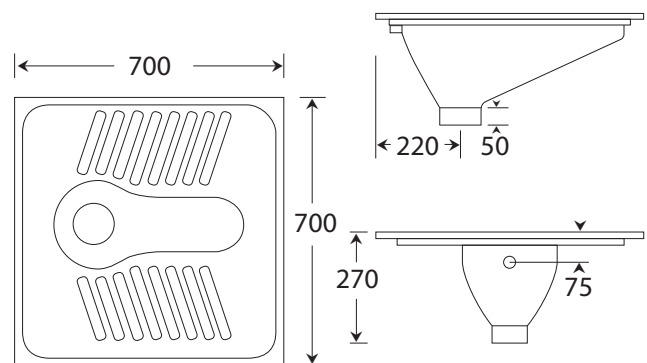
- Grade 304 stainless steel, 1.2mm and 1.6mm thick
- Back to wall design for use with a concealed cistern
- Horizontal 100mm diameter outlet, 38mm diameter inlet
- Side access panel for ease of installation
- Increased height to 450mm and length to 750mm for wheelchair use
- Complete with wall fixing bolts and exposed floor fixing lugs
- Optional fixed seat pads or black plastic seat and cover
- Optional lever, press button or infrared concealed cistern
- Optional top entry connection for exposed stainless steel lever cistern
- Manufactured to order 10 to 15 working days

WC106 WALL HUNG TOILET



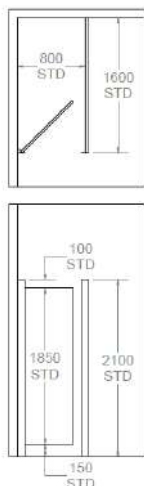
- Grade 304 stainless steel, 1.6mm thick
- Wall hung design for use with a concealed cistern
- Horizontal 100mm diameter outlet
- 55mm diameter inlet
- Drilled for seat and cover and supplied as standard with blanking caps
- Compatible with most standard in wall cistern frames
- Complete with inlet connector and wall fixing bolts
- Optional black plastic seat and cover
- Optional lever, press button or infrared concealed cistern
- In stock 1 to 2 working days

WC112 SQUATTING TOILET



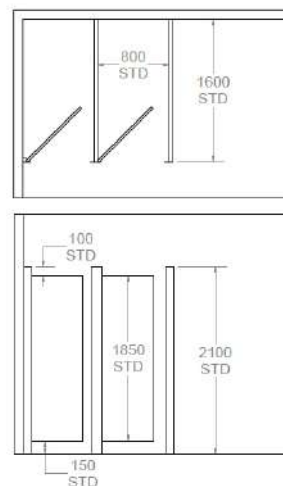
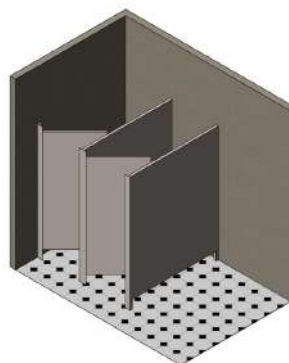
- Grade 304 stainless steel, 0.9mm thick
- Floor recessed design for use with a concealed cistern
- Can also be mounted into a raised floor plinth
- Vertical 110mm diameter straight spigot outlet
- Complete with 38mm diameter back entry inlet connection
- Optional plastic P or S trap
- Optional high level lever plastic concealed cistern
- Optional Shattaf bidet spray
- In stock 1 to 2 working days

WC-161A SINGLE TOILET CUBICLE IN CORNER



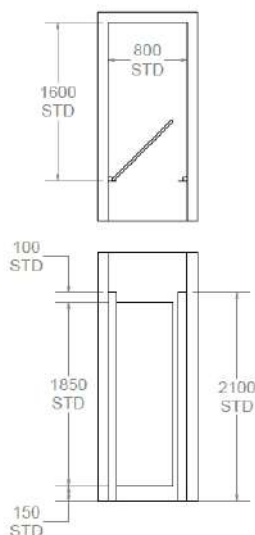
- Grade 304 stainless steel, 1.2mm thick
- Single cubicle
- Standard or special order size
- Left or right hand corner available
- Stainless steel hinges
- Door lock and hasp
- Flat pack for site assembly
- Manufactured to order 10 to 15 working days

WC-161B RANGE OF TOILET CUBICLES IN CORNER



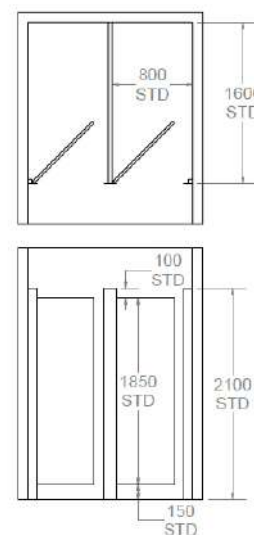
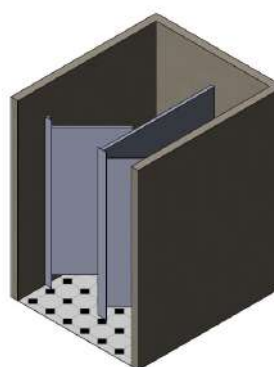
- Grade 304 stainless steel, 1.2mm thick
- Range of multiple cubicles
- Standard or special order size
- Left or right hand corner available
- Stainless steel hinges
- Door locks and hasps
- Flat pack for site assembly
- Manufactured to order 10 to 15 working day

WC-161C IN WALL TOILET CUBICLE - SINGLE



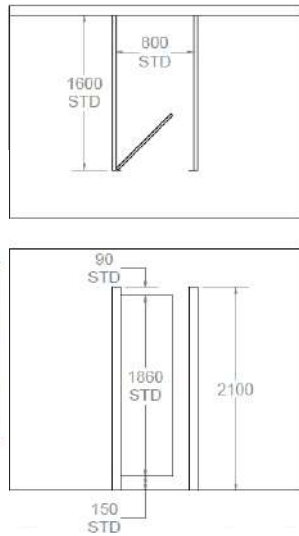
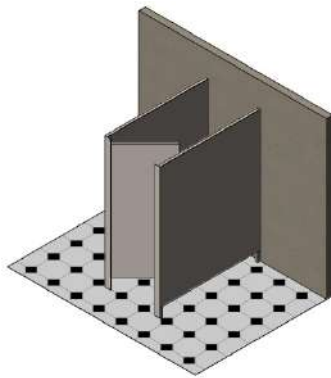
- Grade 304 stainless steel, 1.2mm thick
- Single toilet cubicle between walls
- Standard or special order size
- Stainless steel hinges
- Door locks and hasps
- Flat pack for site assembly
- Manufactured to order 10 to 15 working day

WC-161D RANGE OF TOILET CUBICLES BETWEEN WALLS



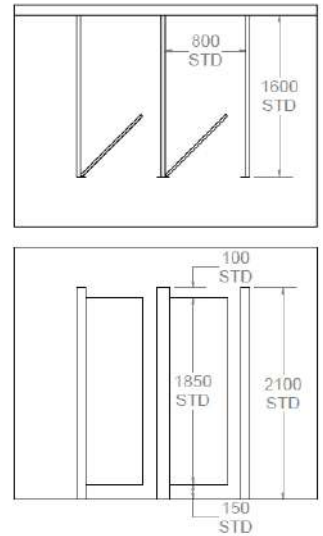
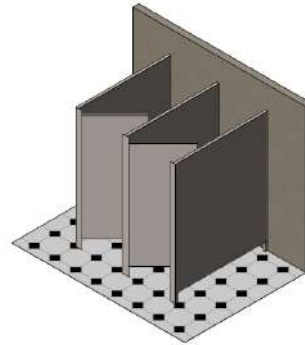
- Grade 304 stainless steel, 1.2mm thick
- Range of multiple cubicles between walls
- Standard or special order size
- Stainless steel hinges
- Door locks and hasps
- Flat pack for site assembly
- Manufactured to order 10 to 15 working days

WC-161E ISLAND TOILET CUBICLE - SINGLE



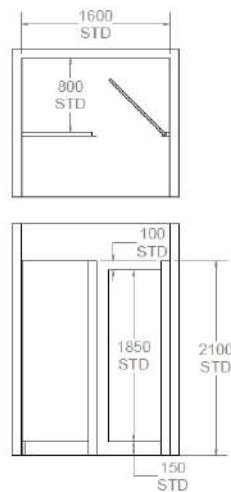
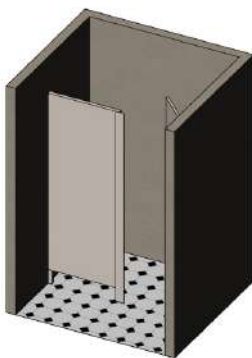
- Grade 304 stainless steel, 1.2mm thick
- Single island toilet cubicle (no end walls)
- Standard or special order size
- Stainless steel hinges
- Door locks and hasps
- Flat pack for site assembly
- Manufactured to order 10 to 15 working days

WC-161F ISLAND TOILET CUBICLE - MULTIPLE



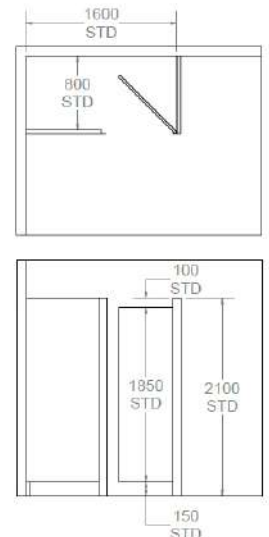
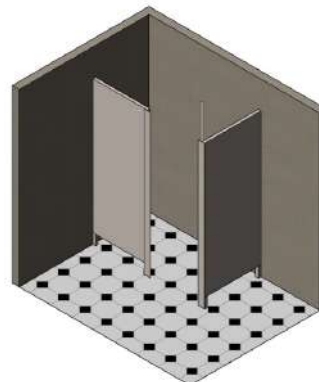
- Grade 304 stainless steel, 1.2mm thick
- Multiple island toilet cubicles (no end walls)
- Standard or special order size
- Stainless steel hinges
- Door locks and hasps
- Flat pack for site assembly
- Manufactured to order 10 to 15 working days

WC-161G IN-WALL ANGLED TOILET CUBICLE



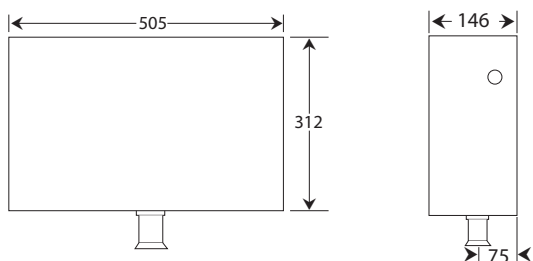
- Grade 304 stainless steel, 1.2mm thick
- In wall angled toilet cubicle
- Standard or special order size
- Left or right hand door
- Stainless steel hinges
- Door lock and hasp
- Flat pack for site assembly
- Manufactured to order 10 to 15 working days

WC-161H INLINE TOILET CUBICLE



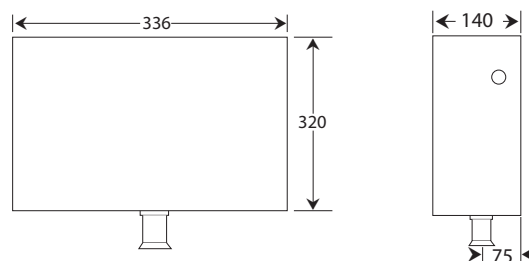
- Grade 304 stainless steel, 1.2mm thick
- Inline toilet cubicle
- Left or right hand layout
- Stainless steel hinges
- Door lock and hasp
- Flat pack for site assembly
- Manufactured to order 10 to 15 working days

WC142-LL-WL PLASTIC CONCEALED CISTERN WITH LEVER



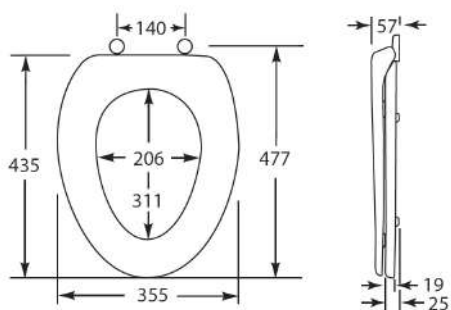
- Black plastic concealed cistern
- Chrome plated through wall lever for up to 210mm thick walls
- Plastic 90 degree flush pipe
- In stock 1 to 2 working days

WC142-LL-AIR-50 PLASTIC CONCEALED CISTERN WITH PUSH BUTTON



- Black plastic concealed cistern
- Single push button operation
- Plastic 90 degree flush pipe
- In stock 1 to 2 working days

WCPSC-TF-WH WHITE PLASTIC SEAT AND COVER



- White plastic toilet seat and cover
- Elliptical design to suit WC102 and WC091 toilets only
- Fixings included
- In stock 1 to 2 working days

WCPSC-EURO-BK BLACK PLASTIC SEAT AND COVER

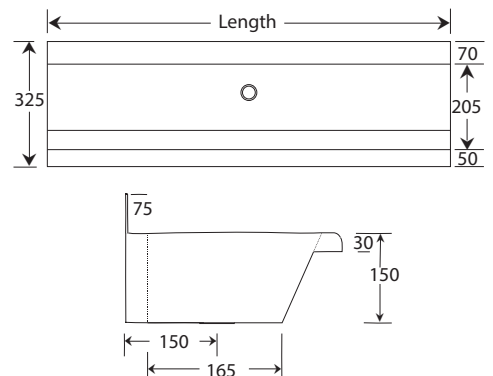


- Black plastic toilet seat and cover
- Standard design to suit WC1003, WC1004, WC106 and WC1006 toilets only
- Fixings included
- In stock 1 to 2 working days

STAINLESS STEEL WASH TROUGHS

	Page
Compact Wall Mounted Wash Trough	20
Pre-Drilled Wall Mounted Wash Trough	20
Wall Mounted Wash Trough	21
Heavy Duty Wall Mounted Wash Trough	21
Coloured Wash Trough.....	22
Inset Wash Trough with Tap Ledge	22
Deluxe Wash Trough	23
Sit On Wash Trough.....	23
Wash Trough Accessories	24

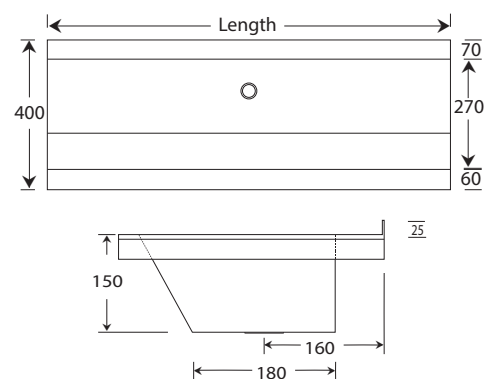
WE307 COMPACT WALL MOUNTED WASH TROUGH



- 5 standard lengths in stock: 1200mm | 1500mm | 1800mm | 2100mm | 2400mm
- Centre 38mm flush grated waste fitting (no plug or overflow)
- Grade 304 stainless steel, 1.5mm thick
- Tap holes drilled to customer specification
- 75mm upstand
- 325mm projection from wall for use in small areas or by smaller children
- Optional stainless steel front support legs (two per trough)
- Optional taps from our extensive range
- Optional plastic or chrome plated brass bottle traps
- In stock 2 to 3 working days

* Taps shown for illustration purposes only

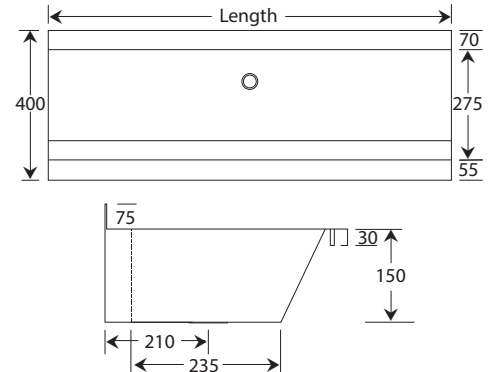
WE310 PRE-DRILLED WALL MOUNTED WASH TROUGH



- 6 standard lengths in stock: 500mm | 800mm | 1000mm | 1500mm | 2000mm | 2500mm
- Centre 38mm flush grated waste fitting (no plug or overflow)
- Grade 304 stainless steel, 1.5mm thick
- Single 35mm tap hole per user
- 500mm 1 user | 800mm 2 user | 1000mm 2 user | 1500mm 3 user | 2000mm 4 user | 2500mm 5 user
- 25mm upstand and 400mm projection
- Optional stainless steel front support legs (two per trough)
- Optional taps from our extensive range
- Optional plastic or chrome plated brass bottle traps
- In stock 1 to 2 working days

* Taps shown for illustration purposes only

WE305 WALL MOUNTED WASH TROUGH

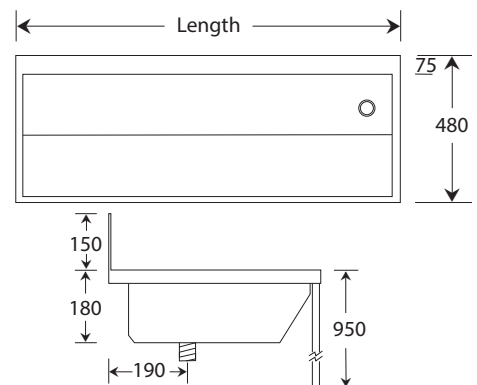


- 4 standard lengths in stock: 1200mm | 1500mm | 1800mm | 2400mm
- Centre 38mm flush grated waste fitting (no plug or overflow)
- Grade 304 stainless steel, 1.5mm thick
- Tap holes drilled to customer specification
- 75mm upstand

- 400mm projection
- Optional stainless steel front support legs (two per trough)
- Optional taps from our extensive range
- Optional plastic or chrome plated brass bottle traps
- In stock 2 to 3 working days

* Taps shown for illustration purposes only

WE302 HEAVY DUTY WALL MOUNTED WASH TROUGH

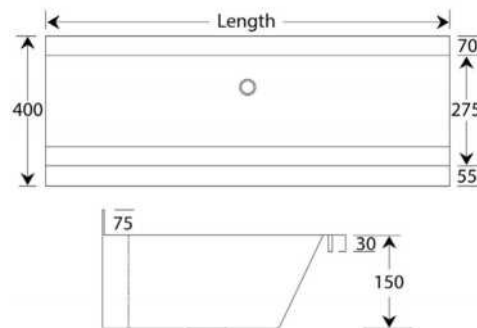


- Manufactured to order in any length up to and including 3600mm
- Left or right hand 38mm flush grated waste fitting (no plug or overflow)
- Grade 304 stainless steel, 1.5mm thick
- Tap holes drilled to customer specification
- 150mm splashback

- 480mm projection
- Complete with stainless steel front support legs (two per trough)
- Optional taps from our extensive range
- Optional plastic or chrome plated brass bottle traps
- Manufactured to order 10 to 15 working days

* Taps shown for illustration purposes only

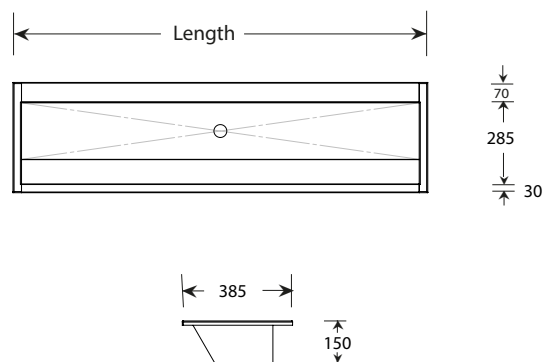
C-WE305 COLOURED WASH TROUGH



- 4 standard lengths manufactured to order: 1200mm | 1500mm | 1800mm | 2400mm
- Standard colours (Matt finish) - White (RAL 9016), Black (RAL 9005), Red (RAL 3020) and Blue (RAL 5002)
- Grade 304 stainless steel, 1.6mm thick
- Tap holes drilled to customer specification
- 400mm projection
- Optional stainless steel front support legs (two per trough)
- Optional taps from our extensive range
- Optional plastic or chrome plated brass bottle traps
- In stock 2 to 3 working days
- Manufactured to order 15 to 20 working days

**Taps shown for illustration purposes only*

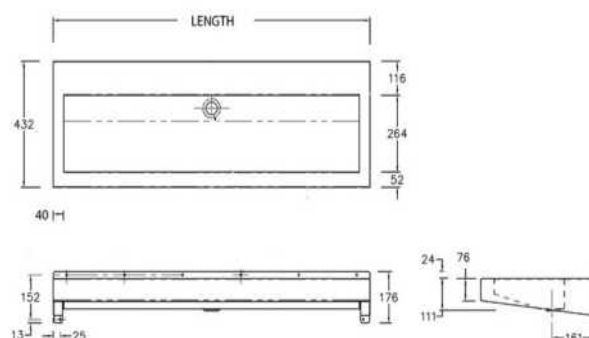
WE314 INSET WASH TROUGH WITH TAP LEDGE



- Five standard lengths made to order: 1150mm | 1450mm | 1750mm | 2050mm | 2350mm
- Centre 38mm flush grated waste fitting (no plug or overflow)
- Grade 304 stainless steel, 1.2mm thick
- Tap holes drilled to customer specification
- Rear tap ledge
- Designed to be inset into a new or existing worktop (by others)
- Optional taps from our extensive range
- Optional plastic or chrome plated brass bottle traps
- All sizes 15 to 20 working days

**Taps shown for illustration purposes only*

WE325 DELUXE WASH TROUGH

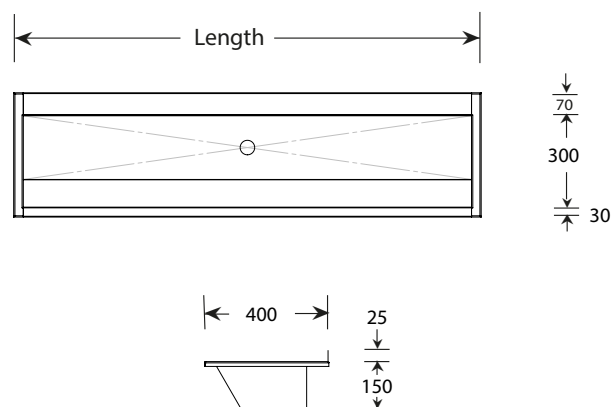


- 4 sizes in stock 600mm | 1200mm | 1800mm | 2400mm
- Centre 38mm flush grated waste fitting (no plug or overflow)
- Clean lines sloping trough for modern look
- Grade 304 stainless steel, 1.6mm thick
- Tap holes drilled in splashback to customer specification

- 432mm projection
- Integral wall fixing points
- Tap holes drilled to customer specification
- Optional taps from our extensive range
- Optional plastic or chrome plated brass bottle traps
- In stock 2 to 3 working days

**Taps shown for illustration purposes only*

WE318 SIT ON WASH TROUGH



- Manufactured to order in any length up to and including 3000mm
- Centre 38mm flush grated waste fitting (no plug or overflow)
- Grade 304 stainless steel, 1.2mm thick
- Tap holes drilled to customer specification
- Designed to sit on separate base unit

- 25mm upstand
- 400mm projection
- Optional taps from our extensive range
- Optional plastic or chrome plated brass bottle traps
- Manufactured to order 10 to 15 working days

**Taps shown for illustration purposes only*

WASH TROUGH FRONT LEGS



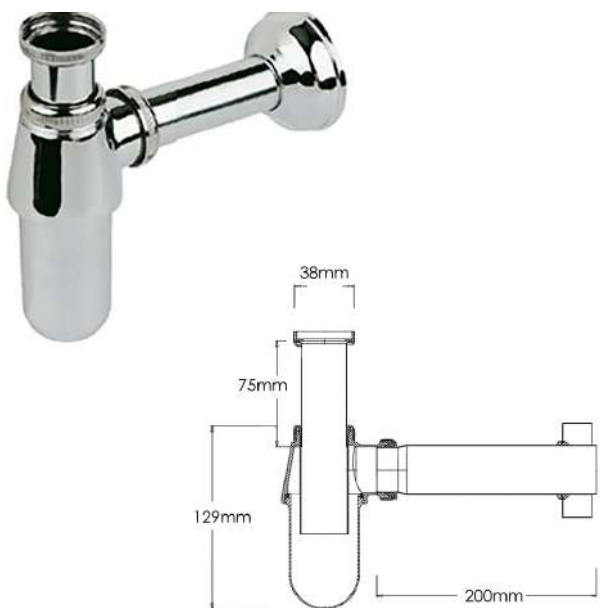
- Stainless steel front legs with adjustable feet
- 912mm long to give rim height of 950mm high (optional 600mm rim height for nursery troughs)
- Supplied as a pair
- In stock 1 to 2 working days

LARGE-PLASTIC-BOTTLETRAP 38MM (1 1/2") BOTTLE TRAP



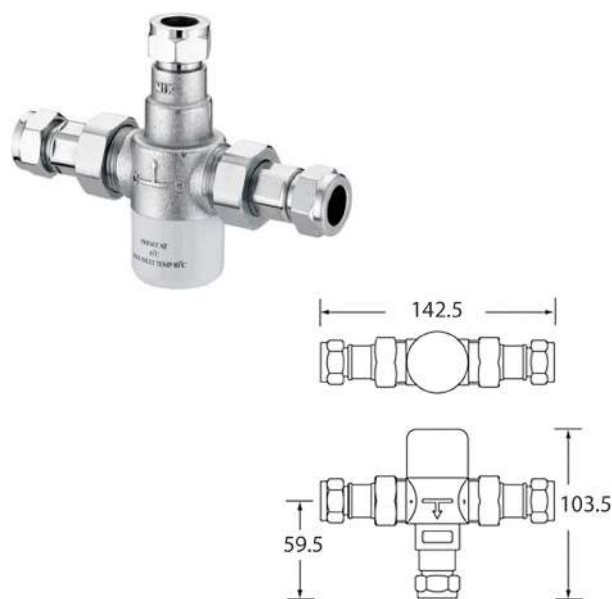
- McAlpine 38mm plastic bottle trap
- Suitable for all wash troughs
- In stock 1 to 2 working days

LARGE-CHROME-BOTTLETRAP (1 1/2") CHROME PLATED BOTTLE TRAP



- 38mm chrome plated brass bottle trap with waste pipe and wall flange
- Suitable for all wash troughs
- In stock 1 to 2 working days

TVS7001TMV3-15 15MM TMV3 MIXING VALVE

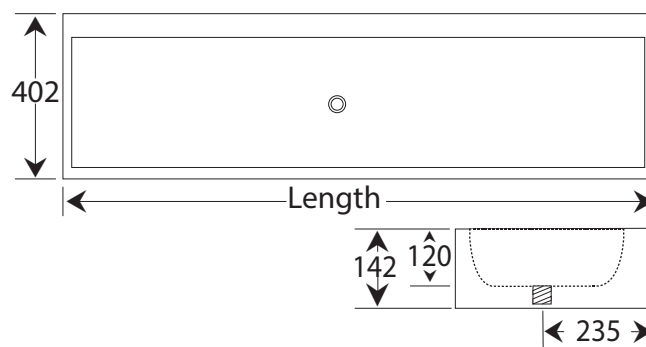


- Chrome plated brass 15mm TMV3 mixing valve
- Recommended one per tap to prevent accidental scalding
- In stock 1 to 2 working days

CORIAN SOLID SURFACE WASH TROUGHS

	Page
Economy Wash Trough	26
Contemporary Wash Trough	27
Wave Wash Trough.....	28
Open Slope Wash Trough	28
Wall Mounted Splashback Wash Trough.....	29
Sit On Splashback Wash Trough	29
Wall Mounted Taplanding Wash Trough	30
Sit On Taplanding Wash Trough.....	30
Wall Mounted Nursery Wash Trough.....	31
Sit On Nursery Wash Trough	31
Wash Trough Accessories	32

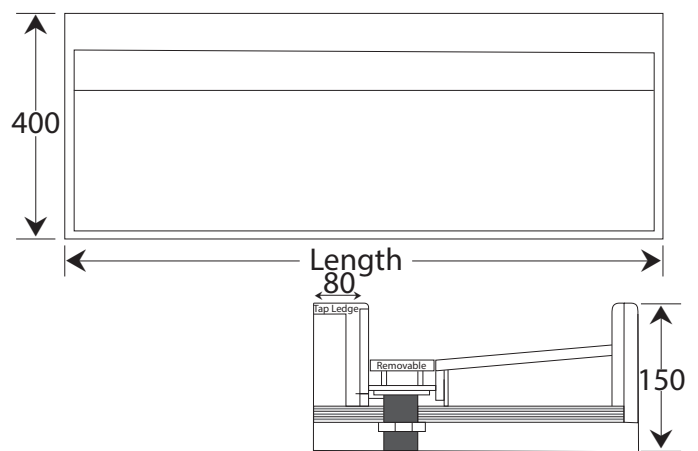
WE390 ECONOMY CORIAN SOLID SURFACE WASH TROUGH



- Corian solid surface acrylic resin bonded material
- Manufactured to order in any length up to 3000mm
- Glacier white (other colours by request)
- Sit on version without wall brackets
- Wall mounted version with wall brackets
- Centre 38mm flush grated waste fitting (no overflow or plug)
- 402mm projection
- Tap holes drilled to customer specification
- Optional taps and traps from our extensive range
- Manufactured to order 3 working weeks

**Taps shown for illustration purposes only*

WE399 CONTEMPORARY CORIAN SOLID SURFACE WASH TROUGH



- Corian solid surface acrylic resin bonded material
- Manufactured to order in any length up to 3600mm
- Glacier white (other colours by request)
- Sit on version without wall brackets
- Wall mounted version with wall brackets
- Centre 32mm flush grated waste fitting in rear channel with cover
- 400mm projection
- Tap holes drilled to customer specification
- Optional taps and traps from our extensive range
- Manufactured to order 3 working weeks

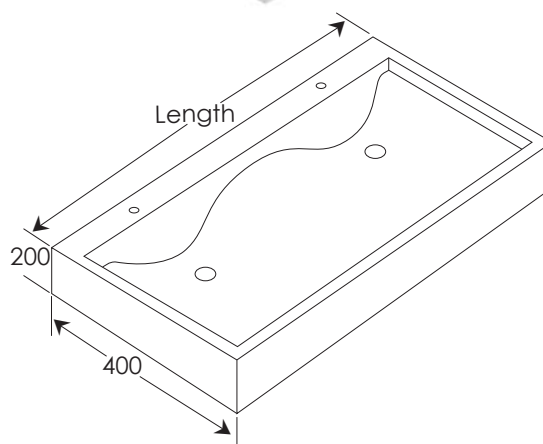
**Taps shown for illustration purposes only*

WE397 WAVE CORIAN SOLID SURFACE WASH TROUGH



- Corian solid surface acrylic resin bonded material
- Manufactured in modules of 500mm up to 3000mm long
- Glacier white (other colours by request)
- Sit on version without wall brackets
- Wall mounted version with wall brackets
- Centre 32mm flush grated waste fitting (no overflow or plug) to each module
- 400mm projection
- Tap holes drilled to customer specification
- Optional taps and traps from our extensive range
- Manufactured to order 3 working weeks

**Taps shown for illustration purposes only*

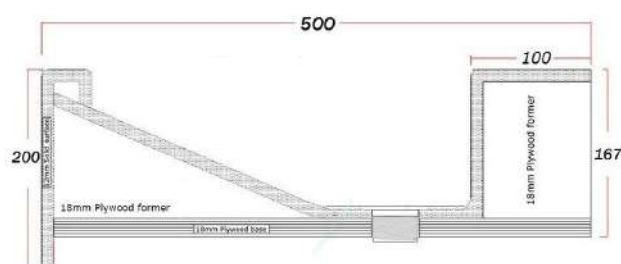


WE396 OPEN SLOPE CORIAN SOLID SURFACE WASH TROUGH



- Corian solid surface acrylic resin bonded material
- Manufactured to order in any length up to 3600mm
- Glacier white (other colours by request)
- Sit on version without wall brackets
- Wall mounted version with wall brackets
- Centre 32mm flush grated waste fitting
- 500mm projection
- Tap holes drilled to customer specification
- Optional taps and traps from our extensive range
- Manufactured to order 3 working weeks

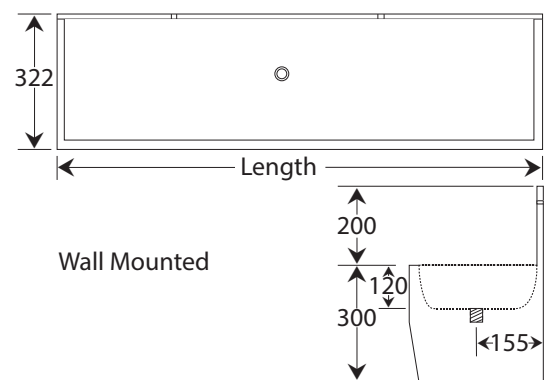
**Taps shown for illustration purposes only*



WE381 WALL MOUNTED SPLASHBACK CORIAN SOLID SURFACE WASH TROUGH

- Corian solid surface acrylic resin bonded material
- Manufactured to order in any length up to 3000mm
- Glacier white (other colours by request)
- Wall mounted with wall brackets
- Front fascia panel to conceal plumbing (can be in a contrasting colour: Grey | Yellow | Blue | Pink | Green | Red | Orange)
- Centre 38mm flush grated waste fitting (no overflow or plug)
- 322mm projection and 200mm splashback
- Tap holes drilled in splashback to customer specification
- Optional taps and traps from our extensive range
- Manufactured to order 3 working weeks

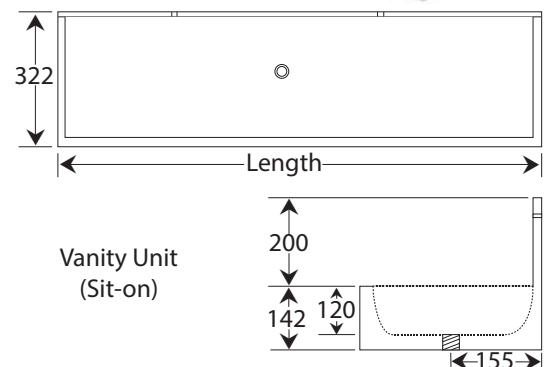
**Taps shown for illustration purposes only*



WE383 SIT ON SPLASHBACK CORIAN SOLID SURFACE WASH TROUGH

- Corian solid surface acrylic resin bonded material
- Manufactured to order in any length up to 3000mm
- Glacier white (other colours by request)
- Designed to sit on separate base unit
- Centre 38mm flush grated waste fitting (no overflow or plug)
- 322mm projection
- 200mm splashback
- Tap holes drilled in splashback to customer specification
- Optional taps and traps from our extensive range
- Manufactured to order 3 working weeks

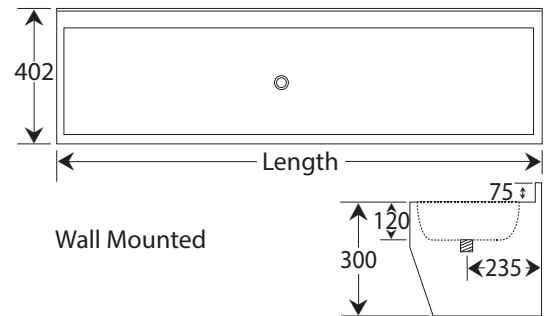
**Taps shown for illustration purposes only*



WE382 WALL MOUNTED TAPLANDING CORIAN SOLID SURFACE WASH TROUGH

- Corian solid surface acrylic resin bonded material
- Manufactured to order in any length up to 3000mm
- Glacier white (other colours by request)
- Wall mounted with wall brackets
- Front fascia panel to conceal plumbing (can be in a contrasting colour: Grey | Yellow | Blue | Pink | Green | Red | Orange)
- Centre 38mm flush grated waste fitting (no overflow or plug)
- 402mm projection, 75mm upstand
- Tap holes drilled to customer specification
- Optional taps and traps from our extensive range
- Manufactured to order 3 working weeks

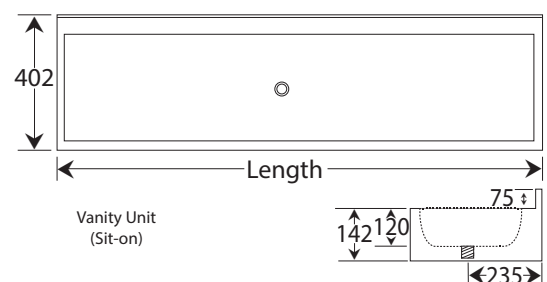
**Taps shown for illustration purposes only*



WE384 SIT ON TAPLANDING CORIAN WASH TROUGH

- Corian solid surface acrylic resin bonded material
- Manufactured to order in any length up to 3000mm
- Glacier white (other colours by request)
- Designed to sit on separate base unit
- Centre 38mm flush grated waste fitting (no overflow or plug)
- 402mm projection
- 75mm upstand
- Tap holes drilled to customer specification
- Optional taps and traps from our extensive range
- Manufactured to order 3 working weeks

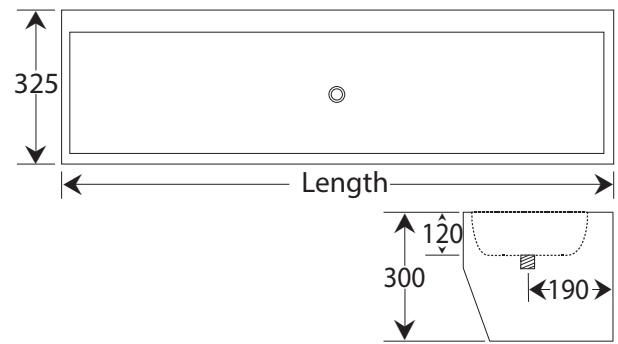
**Taps shown for illustration purposes only*



WE388 WALL MOUNTED NURSERY CORIAN WASH TROUGH

- Corian solid surface acrylic resin bonded material
- Manufactured to order in any length up to 3000mm
- Glacier white (other colours by request)
- Wall mounted with wall brackets
- Front fascia panel to conceal plumbing (can be in a contrasting colour: Grey | Yellow | Blue | Pink | Green | Red | Orange)
- Centre 38mm flush grated waste fitting (no overflow or plug)
- Reduced 325mm projection for smaller users or tight spaces
- Tap holes drilled to customer specification
- Optional taps and traps from our extensive range
- Manufactured to order 3 working weeks

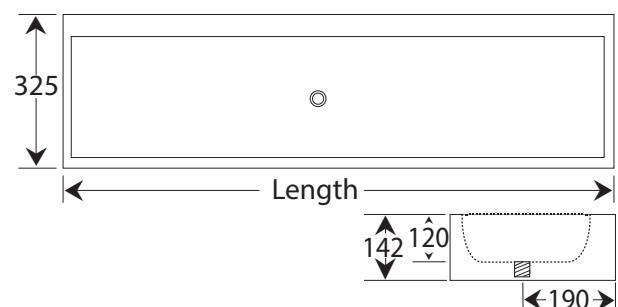
**Taps shown for illustration purposes only*



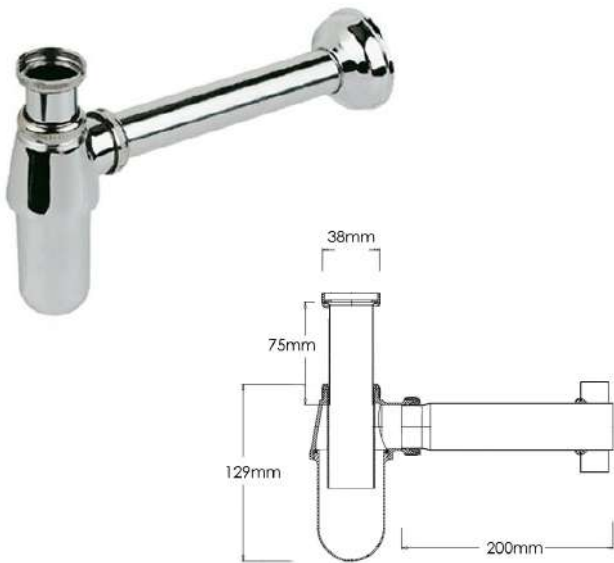
WE389 SIT ON NURSERY CORIAN SOLID SURFACE WASH TROUGH

- Corian solid surface acrylic resin bonded material
- Manufactured to order in any length up to 3000mm
- Glacier white (other colours by request)
- Designed to sit on separate base unit
- Centre 38mm flush grated waste fitting (no overflow or plug)
- Reduced 325mm projection for smaller users or tight spaces
- No upstand
- Tap holes drilled to customer specification
- Optional taps and traps from our extensive range
- Manufactured to order 3 working weeks

**Taps shown for illustration purposes only*



LARGE-CHROME-BOTTLETRAP (1 1/2")
CHROME PLATED BOTTLE TRAP



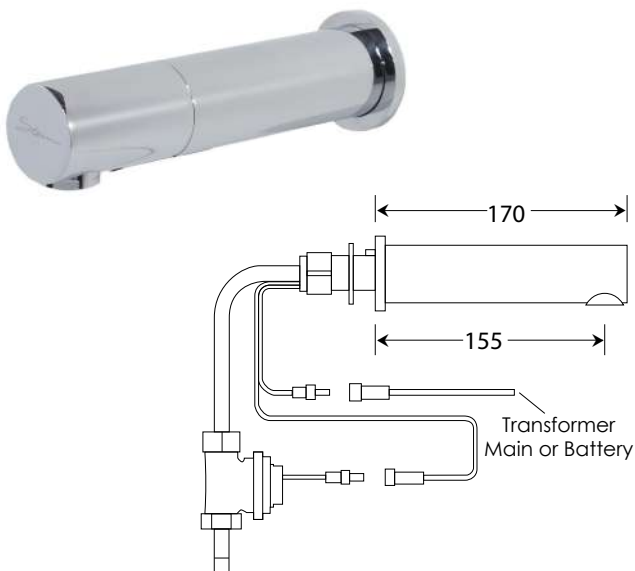
- 38mm chrome plated brass bottle trap with waste pipe and wall flange
- Suitable for all wash troughs
- In stock 1 to 2 working days

TVS7035 INFRARED DECK MOUNTED TAP



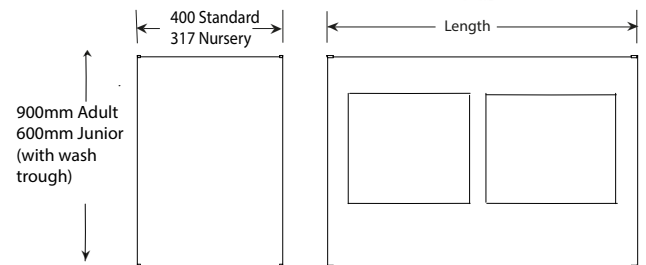
- Sensor operated chrome plated basin tap
- Battery or mains power supply (to be specified)
- 30mm tap hole required
- In stock 1 to 2 working days

TVS6955 INFRARED WALL MOUNTED TAP



- Sensor operated chrome plated wall mounted spout
- Up to 3 units from one power supply
- Battery or mains power supply (to be specified)
- 30mm tap hole required
- In stock usually 1 to 2 working days

WEBASE
BASE UNIT

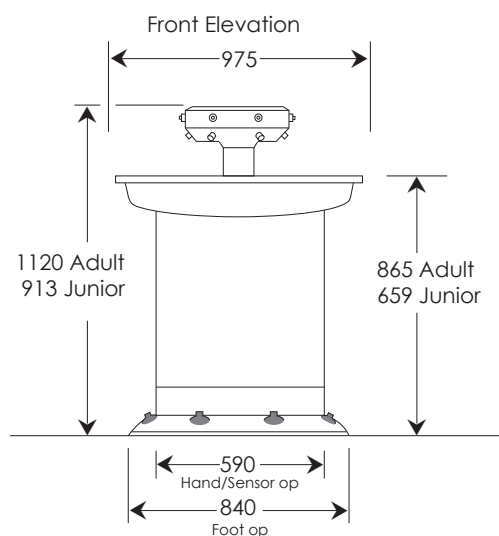


- Corian solid surface acrylic resin bonded material
- Manufactured to order in any length up to 3000mm
- White solid surface clad carcass
- Fascia panels in White | Grey | Yellow | Blue | Pink | Green | Red | Orange
- Unit manufactured 5mm shorter and narrower than wash troughs

WASH FOUNTAINS

	Page
6 Person Circular Wash Fountain	34
8 Person Circular Wash Fountain	35
4 Person Semi-Circular Wash Fountain	36

WE356 6 PERSON CIRCULAR WASH FOUNTAIN



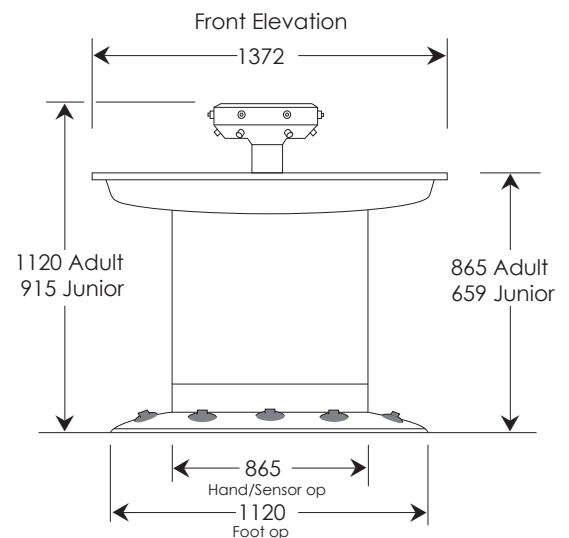
- Stainless steel circular wash fountain 975mm diameter for 6 users
- Available in both adult and junior height
- Individual heavy duty spray heads and controls
- Fully assembled and ready to connect to your services
- Integral liquid soap dispenser system (PH neutral)
- Easy installation and helps reduce water wastage
- Grade 304 stainless steel
- Optional 22mm TMV3 mixing valve

- The wash fountains are complete with waste fitting, liquid soap dispensers, and your choice of water controls
- Assembled to order 5 to 7 working days

WATER CONTROL OPTIONS

- Hand operation - Individual push buttons activate a time flow water supply to individual spray heads
- Foot operation - Individual foot valves activate the water supply to individual spray heads
- Sensor operation - Individual non-touch sensors activate the water supply to individual spray heads

WE358 8 PERSON CIRCULAR WASH FOUNTAIN



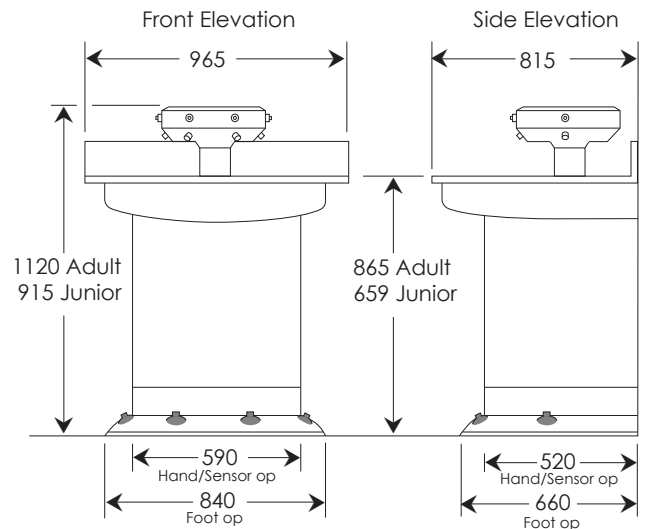
- Stainless steel circular wash fountain 1372mm diameter for 8 users
- Available in both adult and junior height
- Individual heavy duty spray heads and controls
- Fully assembled and ready to connect to your services
- Integral liquid soap dispenser system (PH neutral)
- Easy installation and helps reduce water wastage
- Grade 304 stainless steel
- Optional 22mm TMV3 mixing valve

- The wash fountains are complete with waste fitting, liquid soap dispensers, and your choice of water controls
- Assembled to order 5 to 7 working days

WATER CONTROL OPTIONS

- Hand operation - Individual push buttons activate a time flow water supply to individual spray heads
- Foot operation - Individual foot valves activate the water supply to individual spray heads
- Sensor operation - Individual non-touch sensors activate the water supply to individual spray heads

WE364 4 PERSON SEMI-CIRCULAR WASH FOUNTAIN



- Stainless steel semi-circular wash fountain 965mm wide for 4 users
- Available in adult and junior height
- Individual heavy duty spray heads and controls
- Fully assembled and ready to connect to your services
- Integral liquid soap dispenser system (PH neutral)
- Easy installation and helps reduce water wastage
- Grade 304 stainless steel
- Optional 22mm TMV3 mixing valve

- The wash fountains are complete with waste fitting, liquid soap dispensers, and your choice of water controls
- Assembled to order 5 to 7 working days

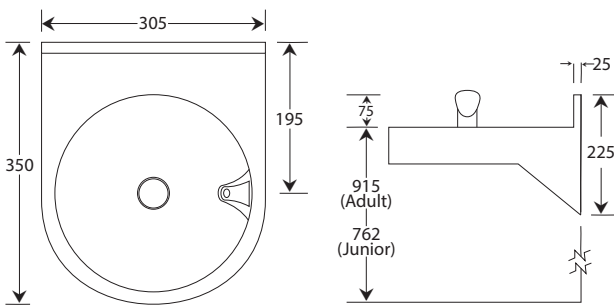
WATER CONTROL OPTIONS

- Hand operation - Individual push buttons activate a time flow water supply to individual spray heads
- Foot operation - Individual foot valves activate the water supply to individual spray heads
- Sensor operation - Individual non-touch sensors activate the water supply to individual spray heads

DRINKING FOUNTAINS AND BOTTLE FILLERS

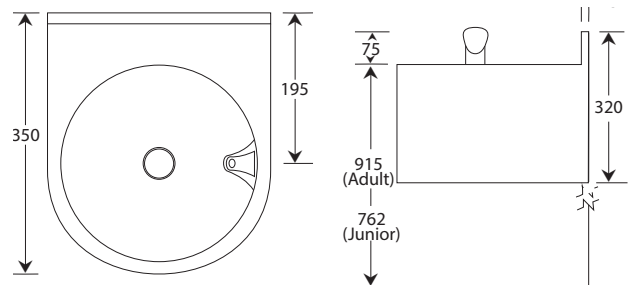
	Page
Wall Mounted Drinking Fountain.....	38
Shrouded Wall Mounted Drinking Fountain.....	38
Wall Mounted Bottle Filler	39
Shrouded Wall Mounted Bottle Filler.....	39
Adult Height Drinking Fountain and Bottle Filler	40
Foot Operated Drinking Fountain and Bottle Filler.....	40
Adult Height Floor Standing Drinking Fountain	41
Pillar Bottle Filler.....	41
Foot Operated Pillar Bottle Filler	42
Adult Height Floor Standing Bottle Filler	42
Wall Mounted Drinking Fountain and Bottle Filler.....	43
Shrouded Wall Mounted Drinking Fountain and Bottle Filler	43
Recessed Slimline Bottle Filler	44
Surface Mounted Bottle Filler	44
Recessed Drinking Fountain.....	45
Recessed Bottle Filler.....	45
DDA Wall Mounted Water Cooler.....	46
Remote Chiller Unit.....	46
Wall Mounted DDA Water Cooler and Bottle Filler.....	47
Wall Mounted Bottle Filler	47
Pedestal Drinking Fountain.....	48
Wall Mounted Multiple Bottle Filler.....	48
Bottle Filling Trough.....	49
Bottle Filling Trough With Frame	49
Drinking Fountain and Bottle Filler Accessories.....	50
Drinking Fountain and Bottle Filler Accessories	51

DF461-WRAS WALL MOUNTED DRINKING FOUNTAIN



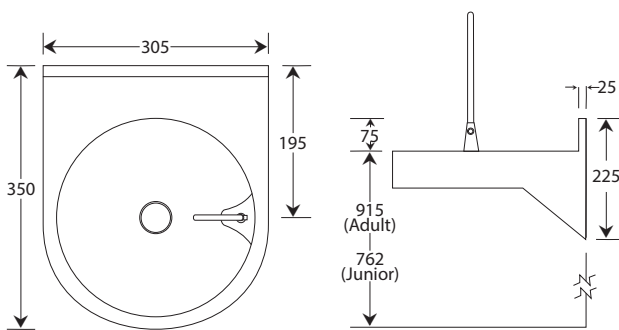
- Grade 304 stainless steel, 1.6mm thick
- WRAS approved drinking water bubbler tap
- Concealed wall mounting bracket
- Can be mounted at any height
- Rounded front for safety
- 32mm flush grated waste fitting
- 75mm upstand
- Optional 32mm plastic or chrome plated brass bottle traps
- Optional bottle filling spout
- Optional colour coated finish
- In stock 1 to 2 working days

DF462-WRAS SHROUDED WALL MOUNTED DRINKING FOUNTAIN



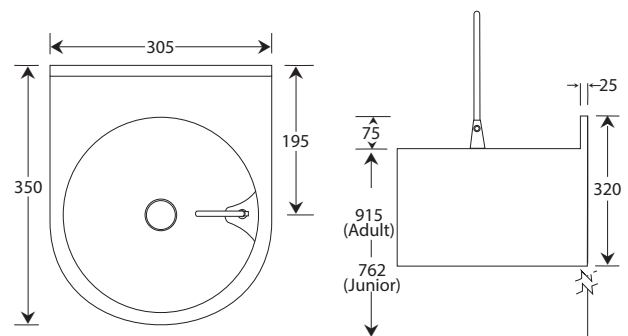
- Grade 304 stainless steel, 1.6mm thick
- WRAS approved drinking water bubbler tap
- Integral pipework shroud with concealed wall mounting bracket
- Can be mounted at any height
- Rounded front for safety
- 32mm flush grated waste fitting
- 75mm upstand
- Optional 32mm plastic or chrome plated brass bottle traps
- Optional bottle filling spout
- In stock 1 to 2 working days

BF463 WALL MOUNTED BOTTLE FILLER



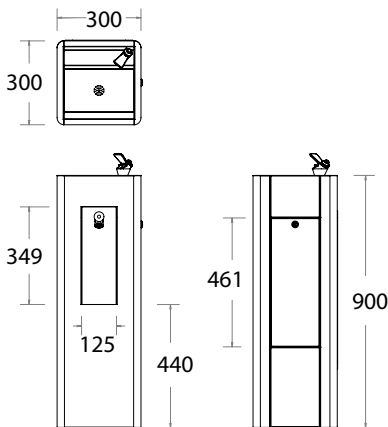
- Grade 304 stainless steel, 1.6mm thick
- WRAS approved swan neck bottle filling spout
- Concealed wall mounting bracket
- Can be mounted at any height
- Rounded front for safety
- 32mm flush grated waste fitting
- 75mm upstand
- Optional 32mm plastic or chrome plated brass bottle traps
- Optional drinking water bubbler tap
- In stock 1 to 2 working days

BF464 SHROUDED WALL MOUNTED BOTTLE FILLER



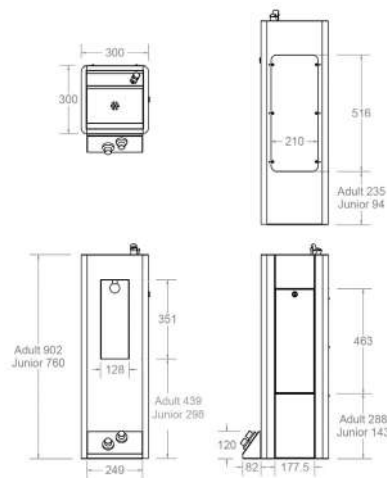
- Grade 304 stainless steel, 1.6mm thick
- WRAS approved swan neck bottle filling spout
- Integral pipework shroud with concealed wall mounting bracket
- Can be mounted at any height
- Rounded front for safety
- 32mm flush grated waste fitting
- 75mm upstand
- Optional 32mm plastic or chrome plated brass bottle traps
- Optional drinking water bubbler tap
- In stock 1 to 2 working days

DF453 ADULT HEIGHT DRINKING FOUNTAIN AND BOTTLE FILLER



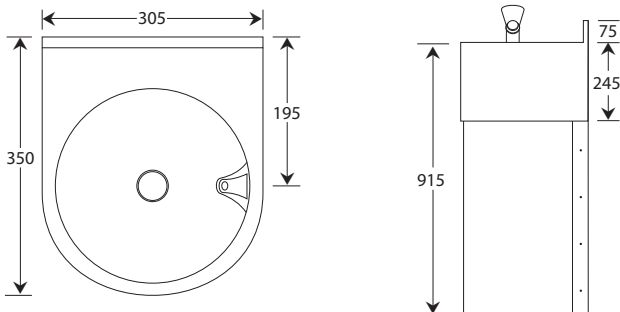
- Grade 304 stainless steel, 1.2mm thick
- WRAS approved drinking water bubbler tap
- WRAS approved bottle filling tap
- Drinking fountain bowl with anti-drip edges
- Floor and back wall fixing points
- Rear access for connection to services with lockable side access panel
- Rounded corners for safety
- Adult height with junior 760mm height model also available
- 32mm flush grated waste fittings with flexible connectors
- In stock 1 to 2 working days

BF904 FOOT OPERATED ADULT HEIGHT DRINKING FOUNTAIN AND BOTTLE FILLER



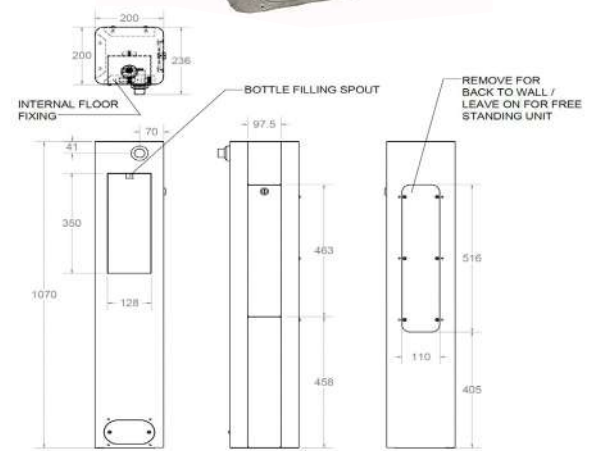
- Grade 304 stainless steel, 1.2mm thick
- Foot operated WRAS approved water bubbler tap
- Foot operated WRAS approved bottle filling spout
- Drinking fountain bowl with anti-drip edges
- Floor and back wall fixing points
- Rear access for connection to services with lockable side access panel
- Rounded corners for safety
- Adult height with junior 760mm height model also available
- 32mm flush grated waste fittings with flexible connectors
- In stock 1 to 2 working days

DF471-WRAS ADULT HEIGHT FLOOR STANDING DRINKING FOUNTAIN



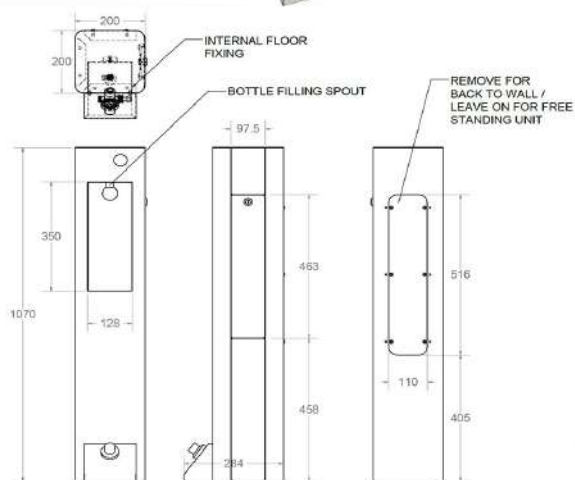
- Grade 304 stainless steel, 1.6mm thick
- WRAS approved drinking water bubbler tap
- Floor standing model with concealed wall mounting brackets
- Adult height with junior 760mm height also available
- Rounded front shroud for safety
- 32mm flush grated waste fitting
- 75mm upstand
- Optional 32mm plastic bottle traps
- Optional bottle filling spout
- stock 1 to 2 working days

BF906 PILLAR BOTTLE FILLER



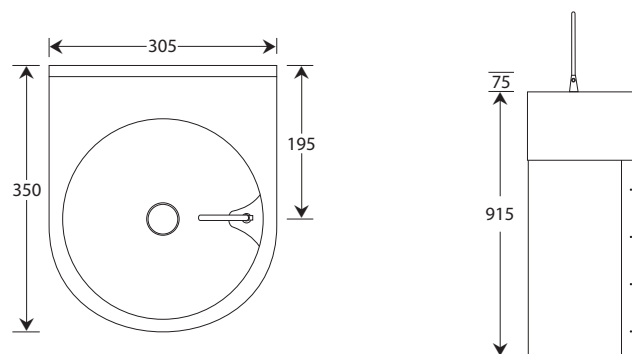
- Grade 304 stainless steel, 1.2mm thick
- WRAS approved press button valve and water fittings
- Free standing model with option to attach to rear wall
- Rounded corners for safety
- 32mm flush grated waste fitting with flexible water connection
- Side lockable access door
- Removable rear access panel for conversion to wall fixing
- In stock 1 to 2 working days

BF907 FOOT OPERATED PILLAR BOTTLE FILLER



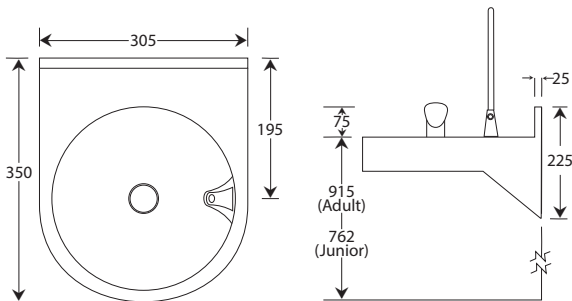
- Grade 304 stainless steel, 1.6mm thick
- WRAS approved foot valve and water fittings
- Free standing model with option to attach to rear wall
- Rounded corners for safety
- 32mm flush grated waste fitting with flexible water connection
- Side lockable access door
- Removable rear access panel for conversion to wall fixing
- In stock 1 to 2 working days

BF473 ADULT HEIGHT FLOOR STANDING BOTTLE FILLER



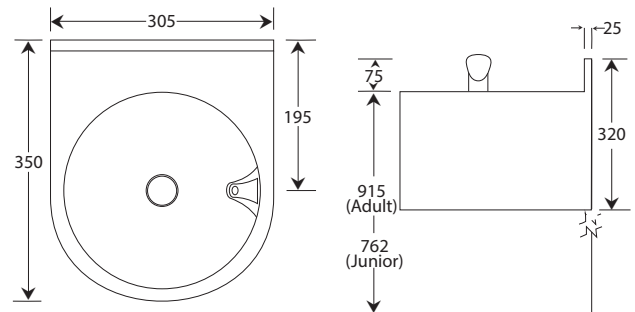
- Grade 304 stainless steel, 1.6mm thick
- WRAS approved swan neck bottle filling spout
- Floor standing model with concealed wall mounting brackets
- Adult height with 760mm junior height also available
- Rounded front shroud for safety
- 32mm flush grated waste fitting
- 75mm upstand
- Optional 32mm plastic bottle traps
- Optional drinking water bubbler tap
- In stock 1 to 2 working days

DFBF461-WRAS WALL MOUNTED DRINKING FOUNTAIN AND BOTTLE FILLER



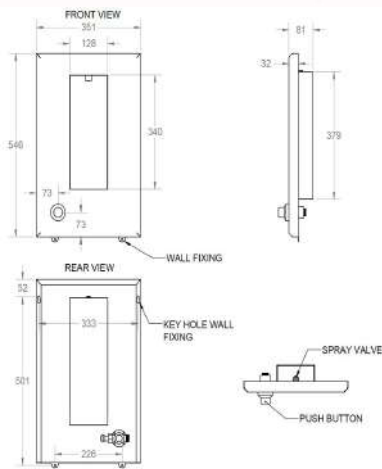
- Grade 304 stainless steel, 1.6mm thick
- Drinking water and bottle filling from one unit
- WRAS approved drinking water bubbler tap and swan neck bottle filler spout
- Concealed wall mounting bracket
- Can be mounted at any height
- Rounded front for safety
- 32mm flush grated waste fitting
- 75mm upstand
- Optional 32mm plastic or chrome plated brass bottle traps
- In stock 1 to 2 working days

DFBF462-WRAS SHROUDED WALL MOUNTED DRINKING FOUNTAIN AND BOTTLE FILLER



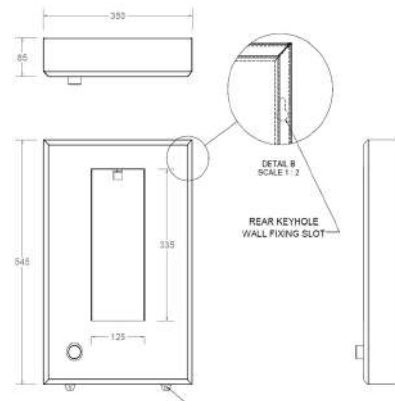
- Grade 304 stainless steel, 1.6mm thick
- Drinking water and bottle filling from one unit
- WRAS approved drinking water bubbler tap and swan neck bottle filler spout
- Integral pipework shroud with concealed wall mounting bracket
- Can be mounted at any height
- Rounded front for safety
- 32mm flush grated waste fitting
- 75mm upstand
- Optional 32mm plastic or chrome plated brass bottle traps
- In stock 1 to 2 working days

BF902 RECESSED SLIMLINE BOTTLE FILLER



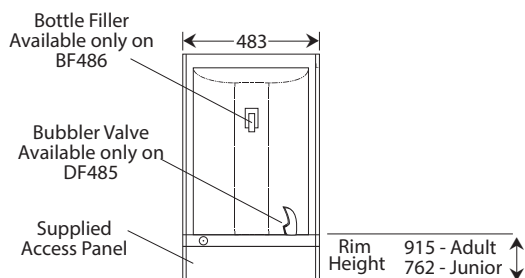
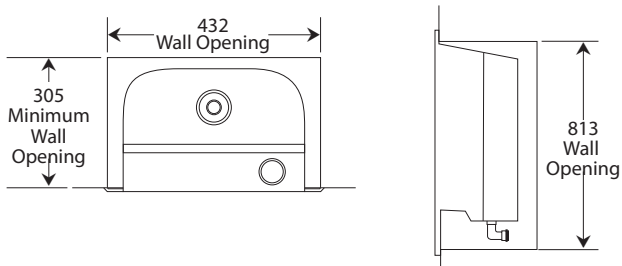
- Grade 304 stainless steel, 1.2mm thick
- WRAS approved press button water valve, bottle filling spout and pipework
- 15mm water connection
- Hidden keyhole fixing with bottom securing lugs
- Can be mounted at any height
- Edges shaped for safety
- 32mm flush grated waste fitting
- Flexible waste connection pipe
- Space saving design
- In stock 1 to 2 working days

BF900 SURFACE MOUNTED BOTTLE FILLER



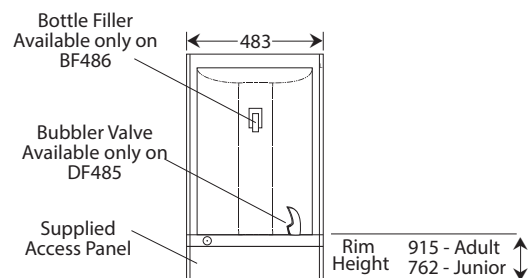
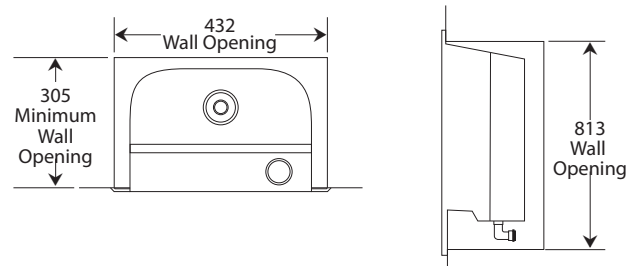
- Grade 304 stainless steel, 1.2mm thick
- WRAS approved press button water valve, bottle filling spout and pipework
- 15mm water connection
- Hidden keyhole fixing with bottom securing lugs
- Can be mounted at any height
- Edges shaped for safety
- 32mm flush grated waste fitting
- Flexible waste connection pipe
- Ideal for areas without a recess wall
- In stock 1 to 2 working days

DF485 RECESSED DRINKING FOUNTAIN



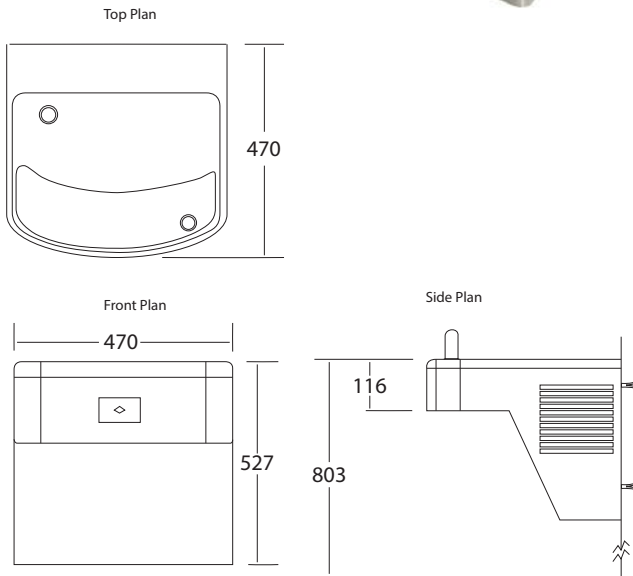
- Grade 304 stainless steel, 1.2mm thick
- Front press button drinking water bubbler tap
- Large drinking aperture
- Fully concealed pipework
- Pre-plumbed with Y strainer and flow adjuster
- Hidden fixings
- Can be mounted at any height
- 32mm flush grated waste fitting
- Galvanised steel frame
- Manufactured to order 12 to 14 working weeks

BF486 RECESSED BOTTLE FILLER



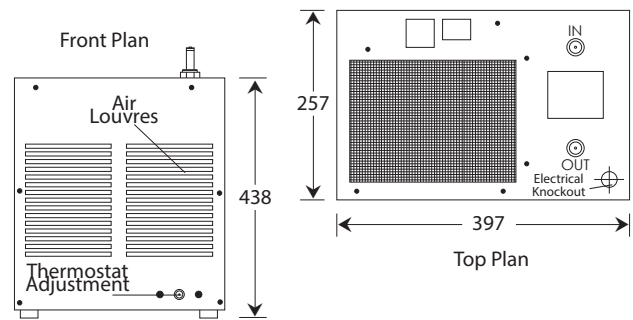
- Grade 304 stainless steel, 1.2mm thick
- Front press button, rear mounted bottle filler
- Large bottle filling aperture
- Fully concealed pipework
- Pre-plumbed with Y strainer and flow adjuster
- Hidden fixings
- Can be mounted at any height
- 32mm flush grated waste fitting
- Galvanised steel frame
- Manufactured to order 12 to 14 working weeks

AQ-A171408F-220V DDA WALL MOUNTED WATER COOLER



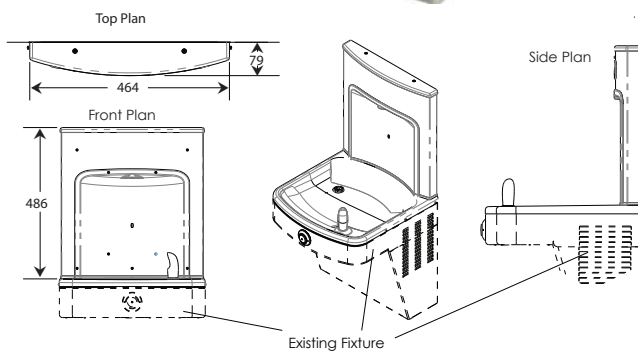
- Grade 304 stainless steel top and shroud
- Easy push anti-microbial front button and bubbler tap
- CE marked
- Provides 30 litres of chilled water per hour (26.7°C to 10°C)
- Pre-plumbed with Y strainer and flow adjuster
- DDA compliant when mounted at correct height
- 32mm flush grated waste fitting, 220V power supply lead
- Galvanised steel frame
- Optional swan neck bottle filling spout
- In stock 2 to 3 working days

AQ-A9100080-220V REMOTE CHILLER UNIT



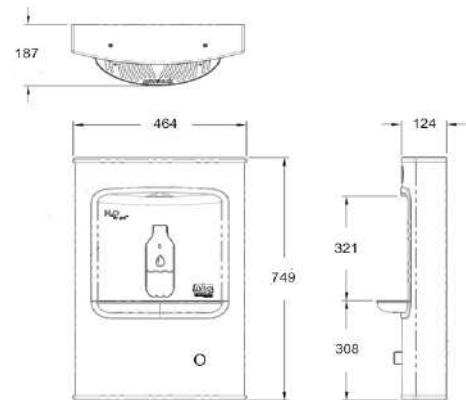
- Galvanised steel case
- Ideal for supplying chilled water to existing drinking water products
- CE marked
- Provides 30 litres of chilled water per hour (26.7°C to 10°C)
- Can be sited up to 2100mm from the required water outlet
- 220v mains power supply required
- Requires connecting to main power supply
- Requires connecting to water inlet supply
- Requires connection to your water outlet
- In stock 2 to 3 working days

AQ-BF11 WALL MOUNTED DDA WATER COOLER AND BOTTLE FILLER



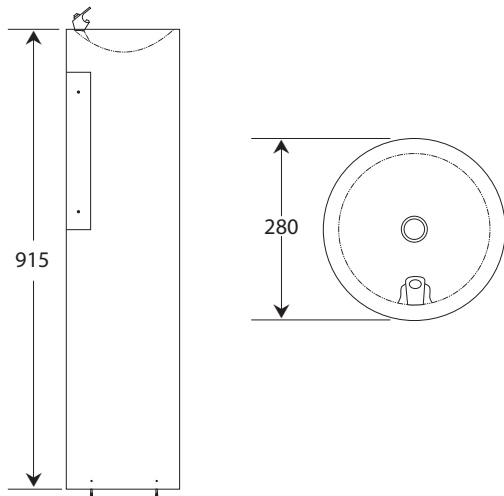
- Murdock press button operated wall mounted bottle filling station
- Requires 6 x AA batteries
- Grade 304 stainless steel and ABS plastic with anti-microbial coating
- Laminar flow outlet to reduce splashing and 4.5 litre per minute flow rate
- 8-10 second maximum run time
- Hinged face plate for ease of maintenance
- 38mm waste fitting and trap designed for through wall water supplies
- Supplied with a DDA water cooler - mains operated
- In stock 2 to 3 working days

AQ-BF18 WALL MOUNTED BOTTLE FILLER



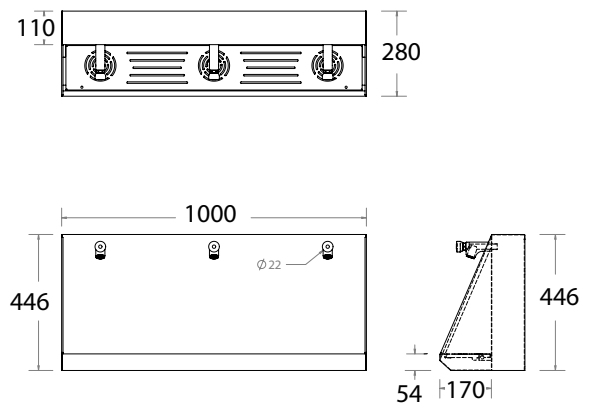
- Press button operated wall mounted bottle filling station
- WRAS approved water fittings
- Grade 304 stainless steel and ABS plastic with anti-microbial coating
- Laminar flow outlet to reduce splashing and 4.5 litre per minute flow rate
- On / off operation to conserve water
- Hinged face plate for ease of maintenance
- 38mm waste fitting and trap
- Designed for through wall water supplies
- In stock 1 to 2 working days

DF481-WRAS PEDESTAL DRINKING FOUNTAIN



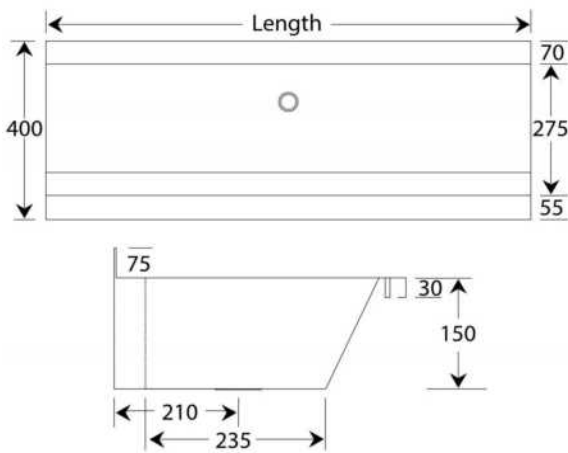
- Grade 304 stainless steel, 1.6mm thick
- WRAS approved drinking water bubbler tap
- Pedestal model with floor fixing plate
- Adult height
- Rounded design for safety
- 32mm flush grated waste fitting
- Removable access panel
- Optional 32mm plastic bottle traps
- Optional bottle filling tap
- In stock 1 to 2 working days

BF489 WALL MOUNTED MULTIPLE BOTTLE FILLER



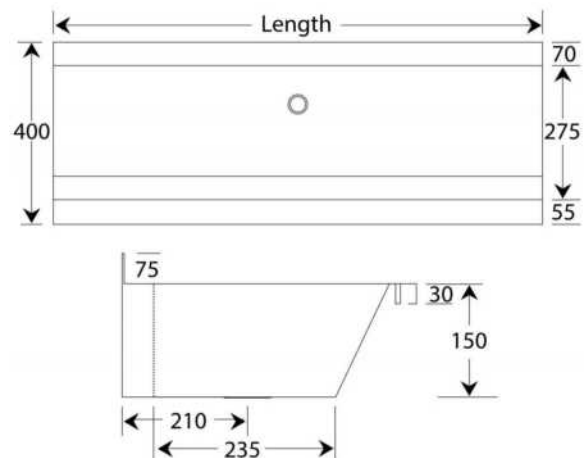
- Wall mounted bottle filling station with 3 bottle filling taps
- Grade 304 stainless steel, 1.2mm thick
- 1000mm long
- Wall fixing points
- WRAS approved time flow bottle filling spouts
- Hinged base plate for ease of maintenance
- Central 32mm flush grated waste fitting
- Other sizes available to order
- Optional plastic or chrome bottle traps
- In stock 1 to 2 working days

BF910 BOTTLE FILLING TROUGH



- Grade 304 stainless steel
- 4 standard lengths 1200mm | 1500mm | 1800mm | 2400mm
- Available with 2, 3 and 4 WRAS approved swan neck bottle filling taps 262mm high
- Centre 38mm flush grated waste fitting
- 75mm rear upstand
- Optional front support legs
- Optional plastic or chrome bottle trap
- Optional heavy duty swan neck bottle filler taps
- In stock 2 to 3 working days

BF910 BOTTLE FILLING TROUGH WITH FRAME



- Grade 304 stainless steel
- 4 standard lengths 1200mm | 1500mm | 1800mm | 2400mm
- 850mm high frame with shelf
- Available with 2, 3 and 4 WRAS approved swan neck bottle filling taps 262mm high
- Centre 38mm flush grated waste fitting
- 75mm rear upstand
- Optional front support legs
- Optional plastic or chrome bottle trap
- Optional heavy duty swan neck bottle filler taps
- In stock 2 to 3 working days

BUBBLER - DRINKING FOUNTAIN
BUBBLER TAP



- WRAS approved drinking water bubbler tap
- 1/2" connection
- Chrome plated brass
- In stock 1 to 2 working days

BOTTLEFILLER - SWAN NECK BOTTLE
FILLER TAP



- WRAS approved swan neck bottle filler spout
- 1/2" connection
- Chrome plated brass
- In stock 1 to 2 working days

RUB-CARTRIDGE CARTRIDGE
WRAS APPROVED



- Replacement drinking fountain button and cartridge
- For the WRAS approved bubblers and bottle fillers
- Chrome plated brass
- In stock 1 to 2 working days

1.25FGPLAS-3 DRINKING
FOUNTAIN WASTE



- Replacement drinking fountain waste fitting
- 32mm flush grated
- Plastic body with stainless steel grating
- In stock 1 to 2 working days

FOOT-BUBBLER NO TOUCH DRINKING WATER BUBBLER



- No touch drinking water bubbler tap
- ½" connection
- Requires separate foot / knee valve
- In stock 1 to 2 working days

NSF-CARTRIDGE CARTRIDGE NSF APPROVED



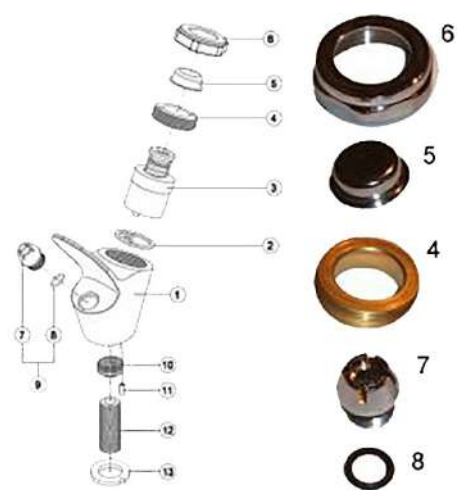
- Replacement drinking fountain tap cartridge
- For the NSF approved bubbler taps
- Plastic
- In stock 1 to 2 working days

NSF-SERVICEKIT SERVICE KIT FOR NSF BUBBLERS



- Service kit for NSF bubbler taps
- Includes cartridge, retaining nut, button, button retaining nut, nozzle and o' ring
- Chrome plated brass fittings and plastic cartridge
- In stock 1 to 2 working days

NSF-FITTINGSKIT FITTINGS KIT FOR NSF BUBBLERS

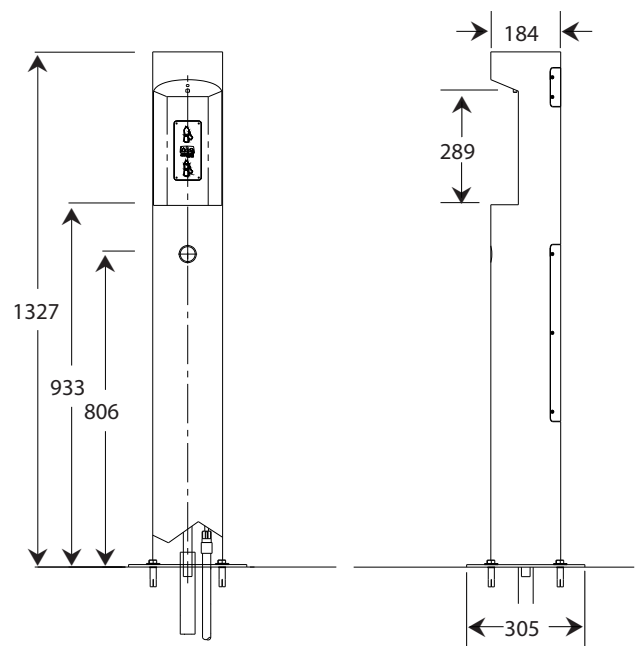


- Fittings kit for NSF bubblers
- Includes button, button retaining nut, nozzle and o' ring
- Chrome plated brass
- In stock 1 to 2 working days

OUTDOOR DRINKING FOUNTAINS AND BOTTLE FILLERS

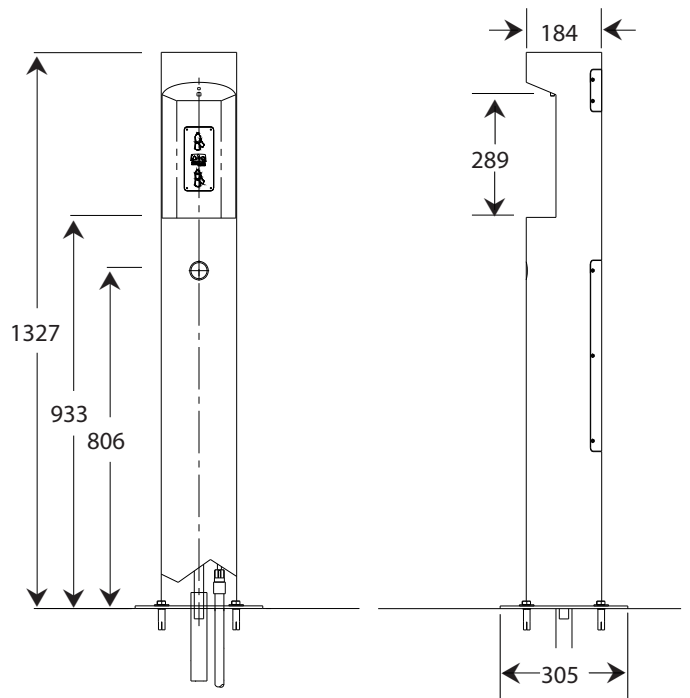
	Page
Stainless Steel Free Standing Bottle Filler	53
Green Free Standing Bottle Filler	54
Stainless Steel Wall Mounted Bottle Filler	55
Green Wall Mounted Drinking Fountain	56
Green Free Standing Drinking Fountain	56
Green Free Standing Bi-level Drinking Fountain	57
Green Free Standing Tri-level Drinking Fountain	57
Green Free Standing Bottle Filler and Drinking Fountain	58
Green Free Standing Bottle Filler and Bi-level Drinking Fountain	58
Concrete Free Standing Drinking Fountain	59
Round Drinking Fountain with Bottle Filler	59
Square Drinking Fountain with Bottle Filler	60
Information	60

MOBFM4 STAINLESS STEEL FREE STANDING OUTDOOR BOTTLE FILLER



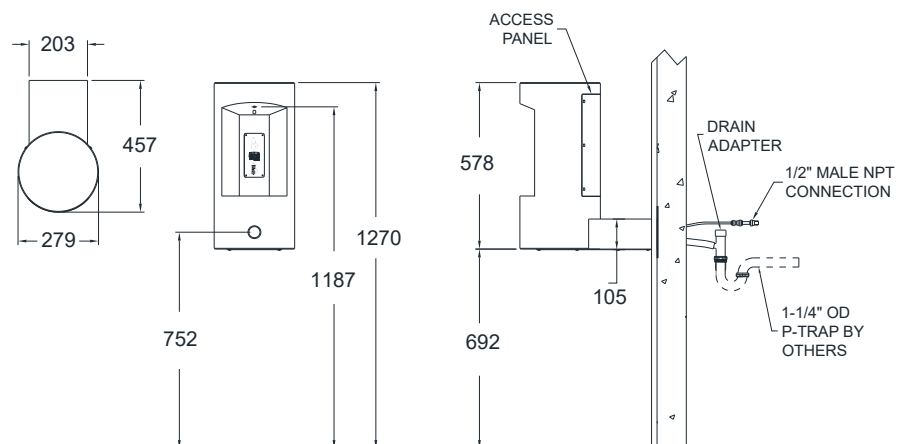
- Heavy gauge grade 304 stainless steel construction, 2mm thick
- Satin polished finish
- Press button operation (requires 6 x AA batteries)
- Floor fixing flange
- Access cover with security screws
- Optional in-ground anchor plate
- Optional grade 316 stainless steel (12 to 16 weeks)
- Also available in green (from stock), red, blue or special colours (12 to 14 weeks)
- In stock 2 to 3 working days

MOBFM5 GREEN FREE STANDING OUTDOOR BOTTLE FILLER



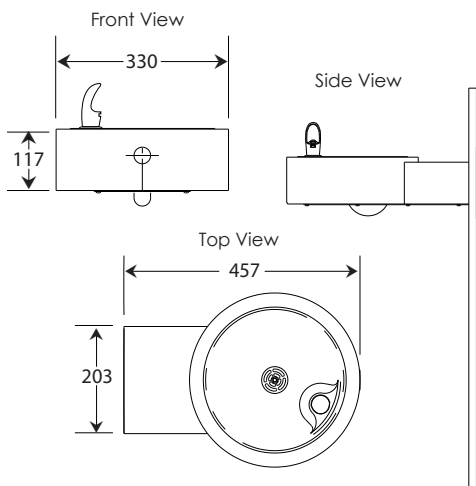
- Heavy gauge grade 304 stainless steel construction, 2mm thick
- Green powder coated finish
- Press button operation (requires 6 x AA batteries)
- Floor fixing flange
- Access cover with security screws
- Optional in-ground anchor plate
- Also available in stainless steel (from stock), red, blue or customer specified colours (12 to 14 weeks)
- In stock 2 to 3 working days

MOBA4MO STAINLESS STEEL WALL MOUNTED OUTDOOR BOTTLE FILLER



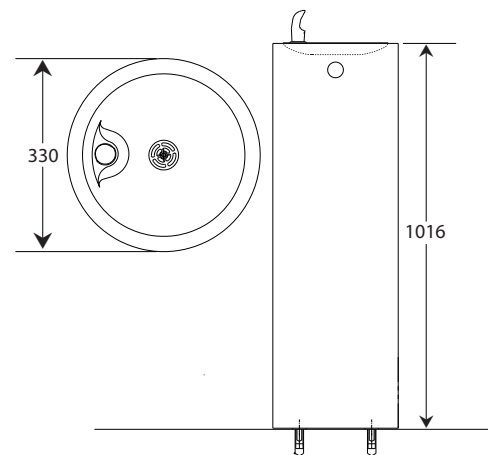
- Heavy gauge grade 304 stainless steel construction, 2mm thick
- Press button operation (requires 6 x AA batteries)
- Heavy duty wall mounting plate
- Access cover with security screws
- Designed for through wall water supply and waste
- DDA compliant when installed at the correct height
- Also available grade 316 stainless steel, green, red, blue or customer specified colours
- Manufactured to order 12 to 14 working weeks

GRC75 GREEN WALL MOUNTED
OUTDOOR DRINKING FOUNTAIN



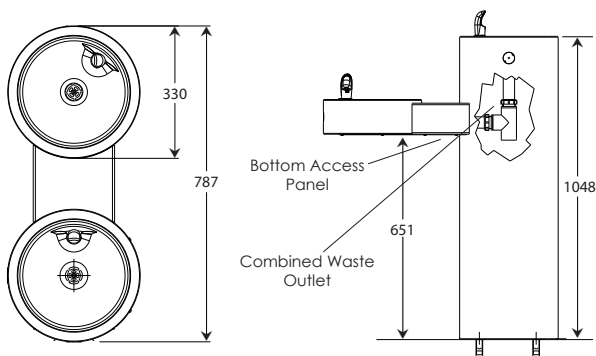
- Heavy gauge grade 304 stainless steel support arm, 2mm thick
- Stainless steel grade 304 polished bowl, 1.2mm thick
- Green powder coated finish
- Press button operation (requires 6 x AA batteries)
- Heavy duty wall mounting plate
- Can be mounted at any height to suit all age groups
- Polished stainless steel drinking water bubbler tap
- Through wall water and waste supply
- Also available in stainless steel, red, blue or customer specified colours (12 to 14 weeks)
- In stock 2 to 3 working days (green only)

GRF35 GREEN FREE STANDING
OUTDOOR DRINKING FOUNTAIN



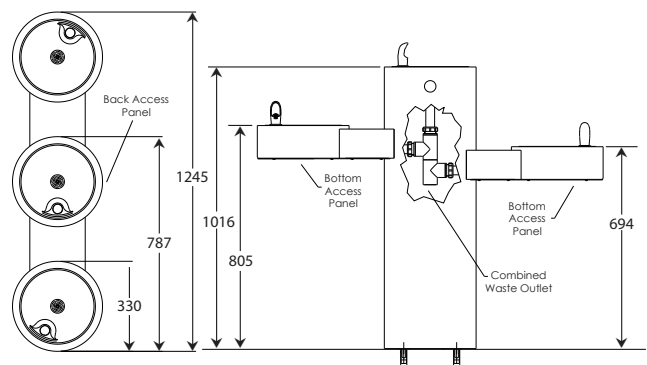
- Heavy gauge grade 304 stainless steel pedestal, 2mm thick
- Stainless steel grade 304 polished bowl, 1.2mm thick
- Green powder coated finish
- Press button operation (requires 6 x AA batteries)
- Polished stainless steel drinking water bubbler tap
- Access cover with security screws, complete with floor fixing bolts
- Optional in-ground anchor plate
- Also available in stainless steel, red, blue or customer specified colours
- Manufactured to order 12 to 14 working weeks

GRM45 GREEN FREE STANDING BI-LEVEL OUTDOOR DRINKING FOUNTAIN



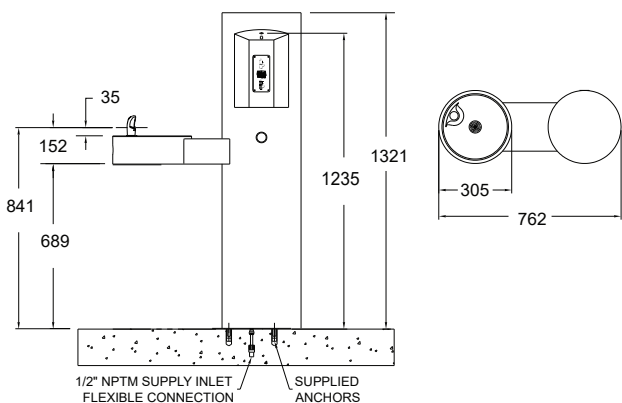
- Heavy gauge grade 304 stainless steel pedestal, 2mm thick
- Stainless steel grade 304 polished bowls, 1.2mm thick
- Green powder coated finish
- Suitable for use by adults, juniors and wheelchair users
- Press button operation (requires 6 x AA batteries)
- Polished stainless steel drinking water bubblers taps
- Access cover with security screws
- Vandal resistant bottom plate with floor fixing bolts
- Also available in stainless steel, red, blue or customer specified colours (12 to 14 weeks)
- In stock 2 to 3 working days (green only)

GRQ45 GREEN FREE STANDING TRI-LEVEL OUTDOOR DRINKING FOUNTAIN



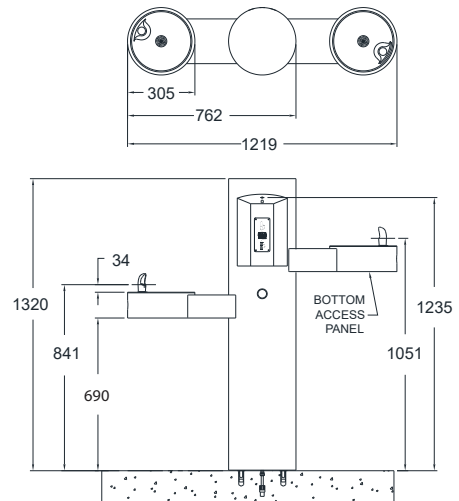
- Heavy gauge grade 304 stainless steel pedestal, 2mm thick
- Stainless steel grade 304 polished bowls, 1.2mm thick
- Green powder coated finish
- Suitable for use by adults, juniors and wheelchair users
- Press button operation (requires 6 x AA batteries)
- Polished stainless steel drinking water bubblers taps
- Access cover with security screws
- Vandal resistant bottom plate with floor fixing bolts
- Also available in stainless steel, red, blue or customer specified colours
- Manufactured to order 12 to 14 working weeks

GYM75 GREEN FREE STANDING
OUTDOOR BOTTLE FILLER AND
DRINKING FOUNTAIN



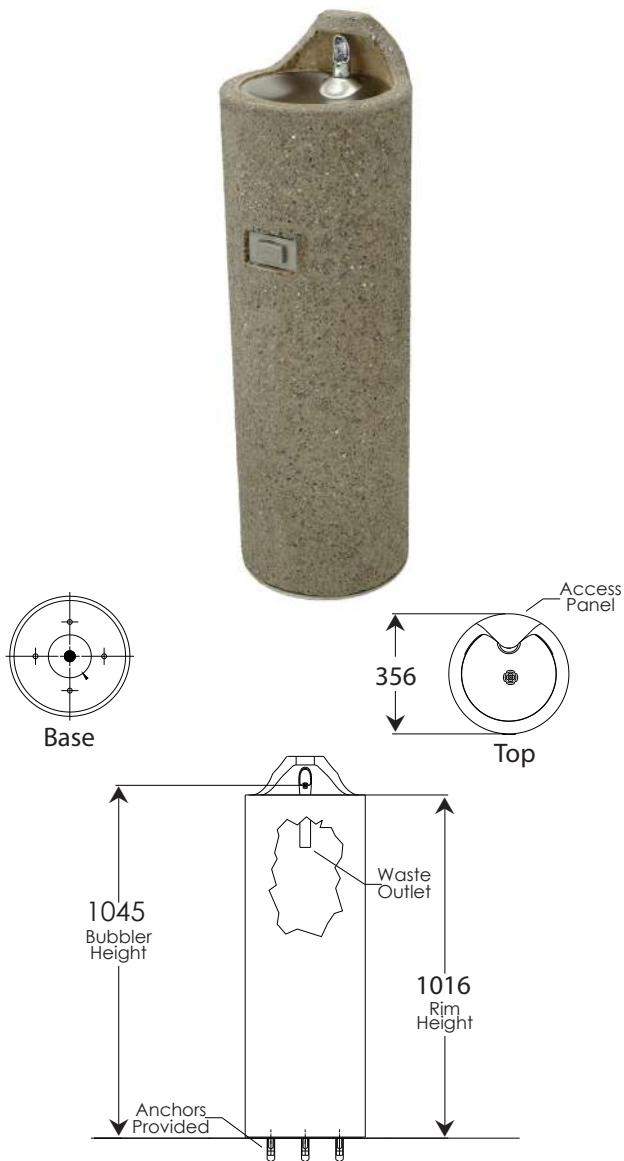
- Heavy gauge grade 304 stainless steel pedestal, 2mm thick
- Stainless steel grade 304 polished bowl, 1.2mm thick
- Green powder coated finish
- Press button operation for polished stainless steel drinking water bubbler tap
- Requires 6 x AA batteries
- Integral bottle filler in the pedestal with press button self-closing valve
- Access cover with security screws, complete with floor fixing bolts
- Also available in stainless steel, red, blue or customer specified colours
- In stock 2 to 3 working days (green only)

GYQ85 GREEN FREE STANDING
OUTDOOR BOTTLE FILLER AND
BI-LEVEL DRINKING FOUNTAIN



- Heavy gauge grade 304 stainless steel pedestal, 2mm thick
- Stainless steel grade 304 polished bowls, 1.2mm thick
- Green powder coated finish
- Press button operation for polished stainless steel drinking water bubbler tap
- Requires 6 x AA batteries
- Integral bottle filler in the pedestal with press button self-closing valve
- Suitable for use by adults, juniors and wheelchair users
- Access cover with security screws, complete with floor fixing bolts
- Also available in stainless steel, red, blue or customer specified colours
- Manufactured to order 12 to 14 working weeks

GUF99 CONCRETE FREE STANDING OUTDOOR DRINKING FOUNTAIN



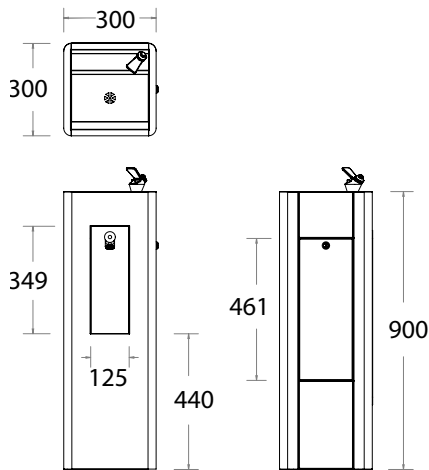
- Stainless steel grade 304 polished bowl, 1.2mm thick
- Reinforced brown aggregate concrete pedestal
- Press button operation (requires 6 x AA batteries)
- Polished stainless steel drinking water bubbler tap
- Access cover with security screws
- Complete with floor fixing bolts
- Optional in-ground anchor plate
- Available in tan – manufactured to order 12 to 14 weeks
- In stock 2 to 3 working days (brown only)

DF499 ROUND COMBINED DRINKING FOUNTAIN AND BOTTLE FILLER



- Stainless steel grade 304, 1.2mm thick
- Two 32mm flush grated waste fittings
- WRAS approved bubbler tap
- WRAS approved press button time flow bottle filling tap
- Flexible waste pipes (fittings are supplied loose for fitting on site)
- Floor fixing flange
- Removable side access door with security fixing screws (498mm x 186mm)
- Manufactured to order 15 to 20 working days

DF453 COMBINED DRINKING FOUNTAIN AND BOTTLE FILLER



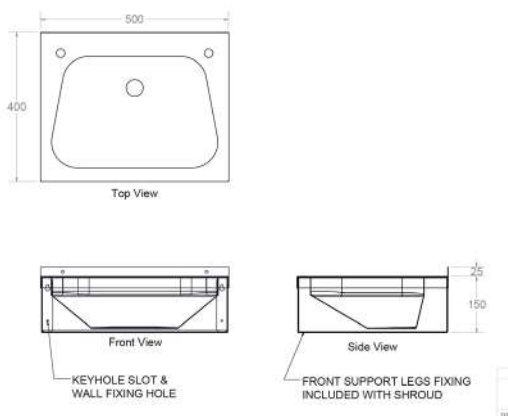
- Grade 304 stainless steel, 1.2mm thick
- WRAS approved drinking water bubbler tap
- WRAS approved bottle filling tap
- Drinking fountain bowl with anti-drip edges
- Floor and back wall fixing points
- Rear access for connection to services with lockable side access panel
- Rounded corners for safety
- Adult height with junior 760mm height model also available
- 32mm flush grated waste fittings with flexible connectors
- In stock 1 to 2 working days

- All outdoor water points should be drained down and isolated during freezing temperatures to prevent damage to pipework and valves.
- All outdoor water points should be cleaned daily to remove any contamination from the air and animals.
- The local Water Authority will be able to advise if they require any specific cleaning or sterilization of pipework.
- Please check with your local Water Authority for any approvals and regulations that will apply to install outdoor drinking fountains and bottle fillers.

STAINLESS STEEL WASH BASINS

	Page
Wall Mounted Wash Basin.....	62
Heavy Duty Wall Mounted Wash Basin.....	62
Mini Wall Mounted Wash Basin.....	63
Corner Wall Mounted Wash Basin.....	63
Compact Wall Mounted Wash Basin.....	64
Security Wall Mounted Wash Basin.....	64
Recessed Hand Rinse Unit.....	65
Knee Operated Wall Mounted Wash Basin.....	65
Inset Wash Basin.....	66
Inset Bright Polished Wash Basin.....	66
Inset Large Hemispherical Wash Bowl.....	67
Inset Small Hemispherical Wash Bowl.....	67
Inset Round Wash Basin.....	68
Inset Oval Wash Basin.....	68
Inset Small Wash Bowl.....	69
Inset Large Wash Bowl.....	69
Inset Small Rectangular Dental Sink.....	70
Inset Large Rectangular Dental Sink.....	70
Inset Small Round Dental Sink.....	71
Inset Large Round Dental Sink.....	71

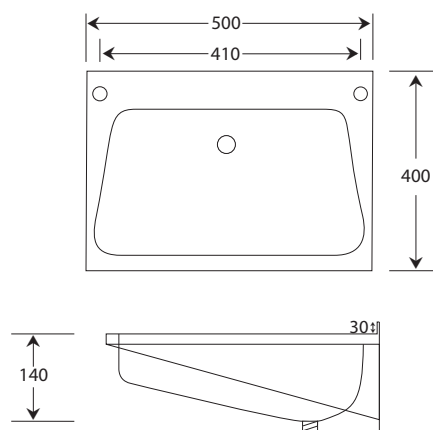
WE276 WALL MOUNTED WASH BASIN



- Grade 304 stainless steel, 1.6mm and 1.2mm thick
- Two 22mm tap holes
- 32mm waste fitting (no overflow, plug or chain)
- Overall dimensions 500 x 400 x 150mm
- 25mm upstand
- Satin finish stainless steel apron support
- Not available with front support legs
- Optional taps from our extensive range
- Optional plastic or chrome plated brass bottle traps
- Optional overflow
- In stock 1 to 2 working days

**Taps shown for illustration purposes only*

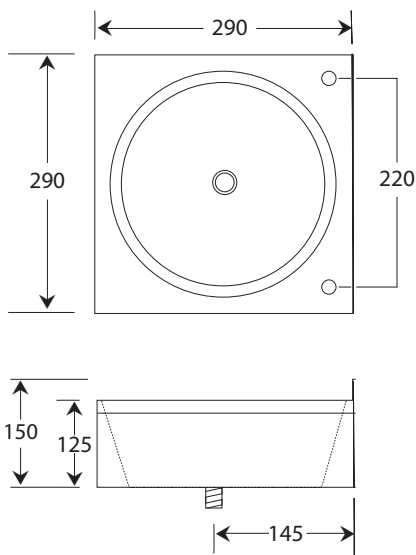
WE241 HEAVY DUTY WALL MOUNTED WASH BASIN



- Grade 304 stainless steel, 1.6mm thick
- Two 22mm tap holes
- 32mm waste fitting with overflow, plug and chain
- Overall dimensions 500 x 400 x 140mm
- Two stainless steel wall brackets
- Can be drilled and bolted together to form multiple basin units (3 to 5 working days)
- Optional front support legs
- Optional taps from our extensive range
- Optional plastic or chrome bottle traps
- In stock 1 to 2 working days

**Taps shown for illustration purposes only*

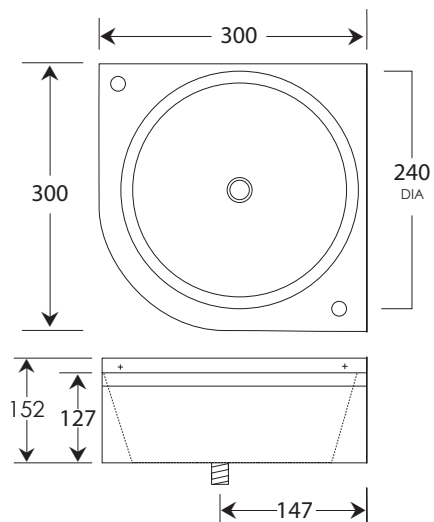
WE243 MINI WALL MOUNTED WASH BASIN



- Grade 304 stainless steel, 1mm thick
- Two 22mm tap holes
- 32mm waste fitting with plug, chain and chain stay (no overflow)
- Overall dimensions 290 x 290 x 125mm
- 25mm upstand
- Apron support
- Ideal for installing where only limited space is available
- Optional taps from our extensive range
- Optional plastic or chrome plated brass bottle traps
- In stock 1 to 2 working days

*Taps shown for illustration purposes only

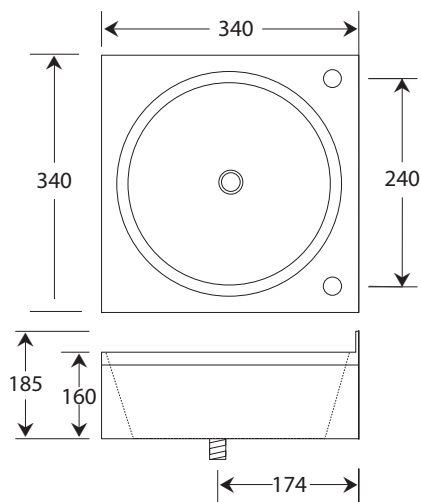
WE244 CORNER WALL MOUNTED WASH BASIN



- Grade 304 stainless steel, 1mm thick
- Two 22mm tap holes
- 32mm waste fitting with overflow, plug and chain
- Overall dimensions 300 x 300 x 127mm
- 25mm upstand
- Apron support
- Ideal for areas with limited space
- Optional taps from our extensive range
- Optional plastic or chrome plated brass bottle traps
- In stock 1 to 2 working days

*Taps shown for illustration purposes only

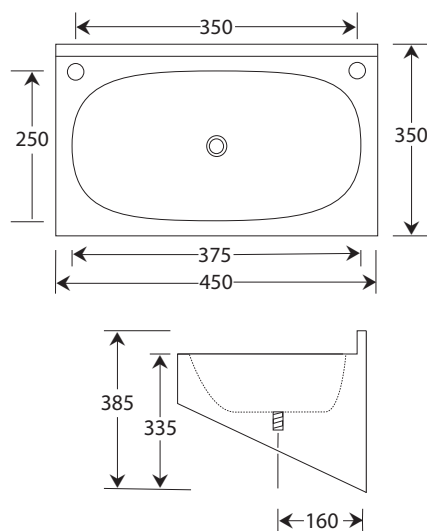
WE245 COMPACT WALL MOUNTED WASH BASIN



- Grade 304 stainless steel, 1mm thick
- Two 22mm tap holes
- 32mm waste fitting with overflow, plug and chain
- Overall dimensions 340 x 340 x 160mm
- 25mm upstand
- Apron support
- Ideal for areas with limited space
- Optional taps from our extensive range
- Optional plastic or chrome plated brass bottle traps
- In stock 1 to 2 working days

**Taps shown for illustration purposes only*

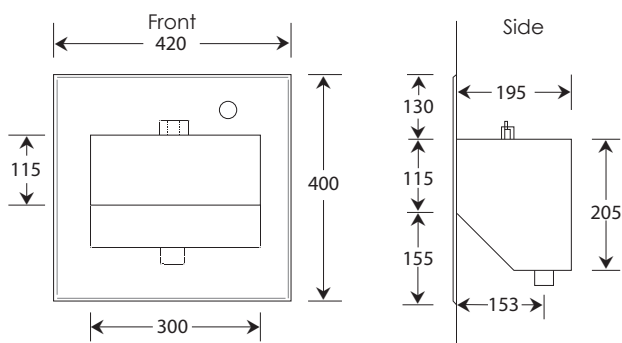
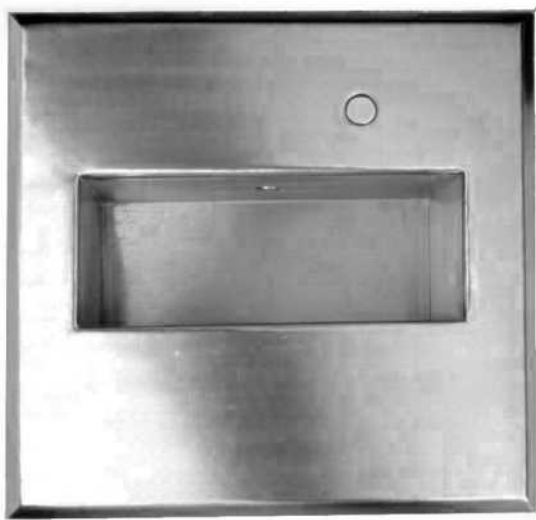
WE246 SECURITY WALL MOUNTED WASH BASIN



- Grade 304 stainless steel, 1.6mm thick
- Two 22mm tap holes
- 32mm flush grated waste fitting (no overflow or plug)
- Enclosed sides and base for security
- No exposed fixings or pipework
- Water supply and waste exit through rear duct wall
- 50mm upstand
- 150mm fixing bolts for walls up to 118mm thick
- Optional taps from our extensive range
- In stock 1 to 2 working days

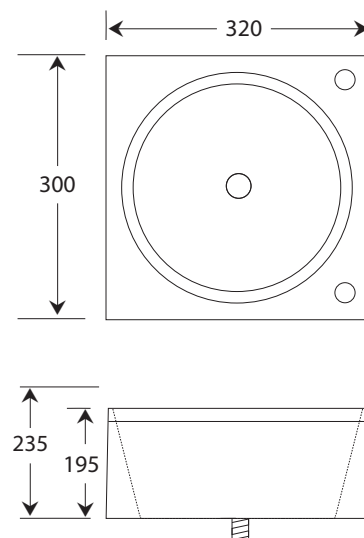
**Taps shown for illustration purposes only*

WE247 RECESSED HAND RINSE UNIT



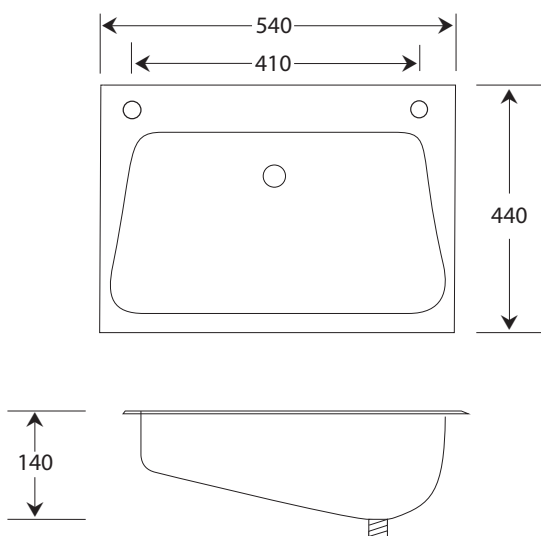
- Grade 304 stainless steel, 2mm front fascia panel, 1.6mm thick basin
- 32mm flush grated waste fitting (no overflow or plug)
- Ligature resistant design
- No exposed fixings or pipework
- Water supply and waste exit through rear duct wall
- Flush fitting press button time flow valve
- Rounded edges
- 150mm fixing bolts for walls up to 118mm thick
- Optional infrared control
- Manufactured to order 10 to 15 working days

WE249 KNEE OPERATED WALL MOUNTED BASIN



- Grade 304 stainless steel, 0.9mm thick
- Tap hole blank on unused tap hole, supplied as standard
- 32mm flush grated waste fitting (no overflow or plug)
- Overall dimensions 300 x 320 x 235mm
- Push front hands free operation
- Swan neck fixed spout
- Manual mixing valve
- Flexible water hose between valve and spout
- Integral wall fixing holes
- In stock 1 to 2 working days

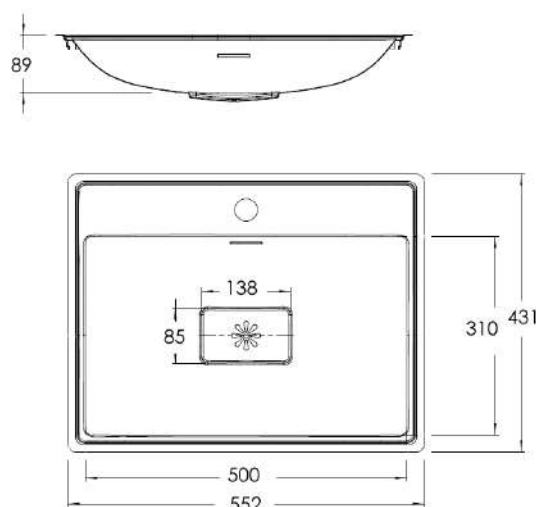
WE251 INSET WASH BASIN



- Grade 304 stainless steel, 1.5mm thick
- Two 22mm tap holes
- 32mm waste fitting with overflow, plug and chain
- Overall dimensions 540 x 440 x 140mm
- To be inset into countertops up to 50mm thick
- Stainless steel fixing clips
- Optional tap hole blank if one tap hole is required
- Optional taps from our extensive range
- Optional plastic or chrome plated brass bottle traps
- In stock 1 to 2 working days

**Taps shown for illustration purposes only*

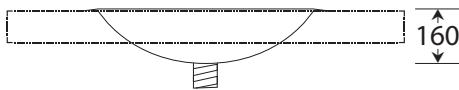
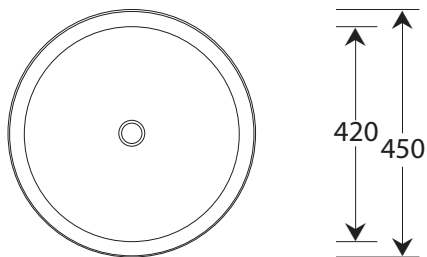
IC3-22 INSET BRIGHT POLISHED WASH BASIN



- Grade 304 stainless steel, 0.9mm thick
- Bright polished finish
- Single 35mm diameter tap hole
- 38mm waste fitting with overflow and waste cover
- Overall dimensions 552 x 431 x 89mm
- To be inset into countertops
- Stainless steel fixing clips
- Optional taps from our extensive range
- Optional plastic or chrome plated brass bottle traps
- In stock 1 to 2 working days

**Taps shown for illustration purposes only*

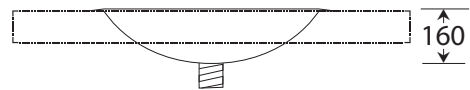
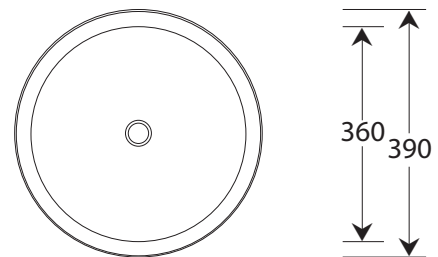
WE252 INSET LARGE HEMISPHERICAL WASH BOWL



- Grade 304 stainless steel, 0.9mm thick
- Bright polished finish
- 38mm flush grated waste fitting (no overflow, plug or chain)
- 450mm overall diameter, 420mm internal diameter
- 15mm flange
- Other sizes available to order
- Optional taps from our extensive range
- Optional plastic or chrome plated brass bottle traps
- Optional overflow with appropriate waste fitting
- In stock 1 to 2 working days

**Taps shown for illustration purposes only*

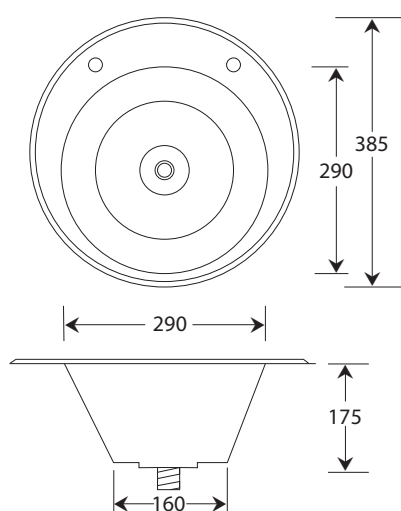
WE253 INSET SMALL HEMISPHERICAL WASH BOWL



- Grade 304 stainless steel, 0.9mm thick
- Bright polished finish
- 38mm flush grated waste fitting (no overflow, plug or chain)
- 390mm overall diameter, 360mm internal diameter
- 15mm flange
- Other sizes available to order
- Optional taps from our extensive range
- Optional plastic or chrome plated brass bottle traps
- Optional overflow with appropriate waste fitting
- In stock 1 to 2 working days

**Taps shown for illustration purposes only*

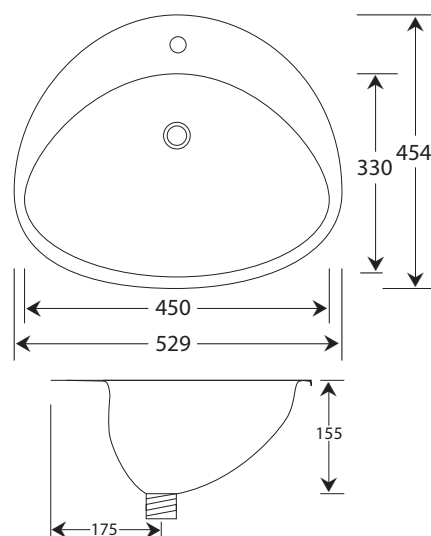
WE255 INSET ROUND WASH BASIN



- Grade 304 stainless steel, 1mm thick
- Two 22mm tap holes
- 32mm waste fitting with overflow, plug and chain
- 385mm overall diameter, 290mm internal diameter
- To be inset into countertops up to 50mm thick
- Stainless steel stud and nut fixing
- Optional tap hole blank if one tap hole is required
- Optional taps from our extensive range
- Optional plastic or chrome plated brass bottle traps
- In stock 1 to 2 working days

**Taps shown for illustration purposes only*

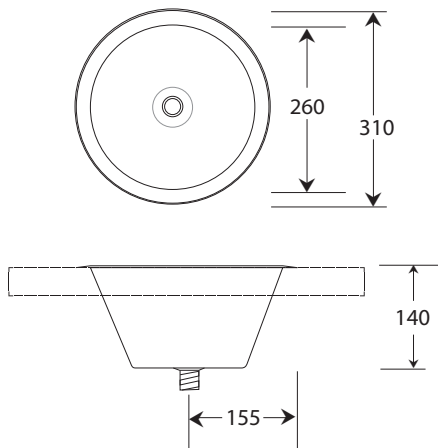
WE258 INSET OVAL WASH BASIN



- Grade 304 stainless steel, 0.9mm thick
- Bright polished finish
- Single 30mm diameter tap hole
- 32mm waste fitting with overflow, plug and chain
- Overall dimensions 529 x 454 x 155mm
- To be bonded into worktop
- Optional taps from our extensive range
- Optional plastic or chrome plated brass bottle traps
- Optional overflow with appropriate waste fitting
- In stock 1 to 2 working days

**Taps shown for illustration purposes only*

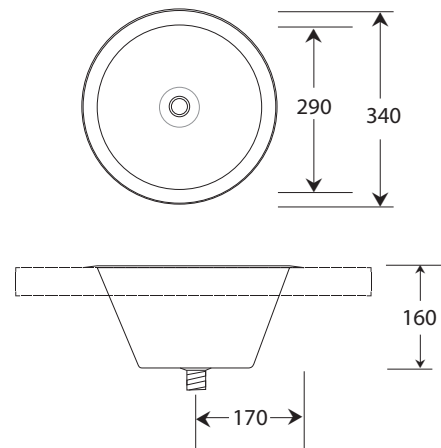
WE256 INSET SMALL WASH BOWL



- Grade 304 stainless steel, 1mm thick
- No tap holes
- 32mm waste fitting with overflow, plug and chain
- 310mm overall diameter, 260mm internal diameter
- To be inset into countertops up to 50mm thick
- Stainless steel stud and nut fixing
- 25mm flange
- Optional taps from our extensive range
- Optional plastic or chrome plated brass bottle traps
- In stock 1 to 2 working days

**Taps shown for illustration purposes only*

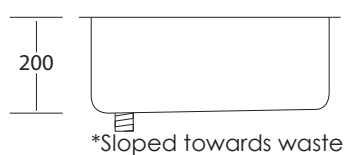
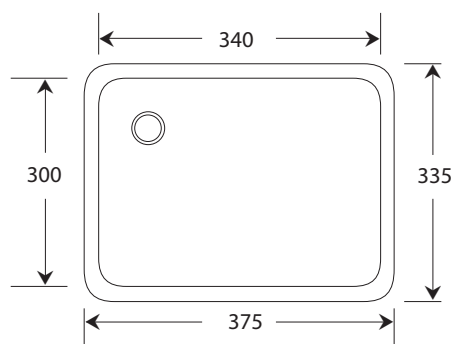
WE257 INSET LARGE WASH BOWL



- Grade 304 stainless steel, 1mm thick
- No tap holes
- 32mm waste fitting with overflow, plug and chain
- 340mm overall diameter, 290mm internal diameter
- To be inset into countertops up to 50mm thick
- Stainless steel stud and nut fixing
- 25mm flange
- Optional taps from our extensive range
- Optional plastic or chrome plated brass bottle traps
- In stock 1 to 2 working days

**Taps shown for illustration purposes only*

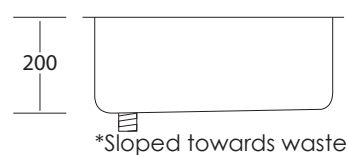
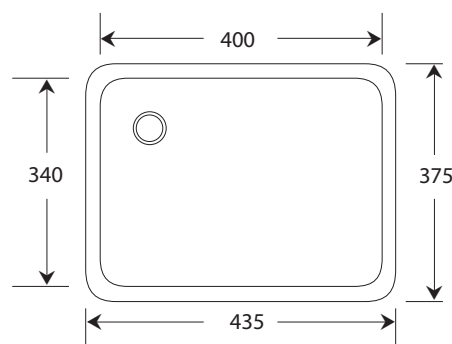
WE271 INSET SMALL RECTANGULAR DENTAL SINK



- Grade 304 stainless steel, 1mm thick
- No tap holes
- Left or right hand 38mm flush grated waste fitting (no overflow, plug or chain)
- Overall dimensions 375 x 335 x 200mm
- Overflow with appropriate waste by special order
- HTM64, HBN 00-10 and 01-05 compliant
- Larger model available
- Optional taps from our extensive range
- Optional plastic or chrome plated brass bottle traps
- In stock 1 to 2 working days

**Taps shown for illustration purposes only*

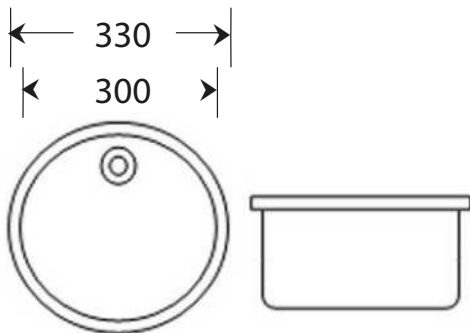
WE272 INSET LARGE RECTANGULAR DENTAL SINK



- Grade 304 stainless steel, 1mm thick
- No tap holes
- Left or right hand 38mm flush grated waste fitting (no overflow, plug or chain)
- Overall dimensions 435 x 375 x 200mm
- Overflow with appropriate waste by special order
- HTM64, HBN 00-10 and 01-05 compliant
- Smaller model available
- Optional taps from our extensive range
- Optional plastic or chrome plated brass bottle traps
- In stock 1 to 2 working days

**Taps shown for illustration purposes only*

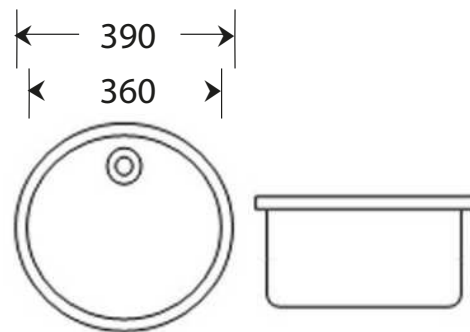
WE273-300 INSET SMALL ROUND DENTAL SINK



- Grade 304 stainless steel, 1mm thick
- Bright polished finish
- No tap holes
- 38mm flush grated waste fitting (no overflow, plug or chain)
- Overall diameter 330mm, internal diameter 300mm x 180mm deep
- Overflow with appropriate waste by special order
- HTM64, HBN 00-10 and 01-05 compliant
- Optional taps from our extensive range
- Optional plastic or chrome plated brass bottle traps
- In stock 1 to 2 working days

**Taps shown for illustration purposes only*

WE273-360 INSET LARGE ROUND DENTAL SINK



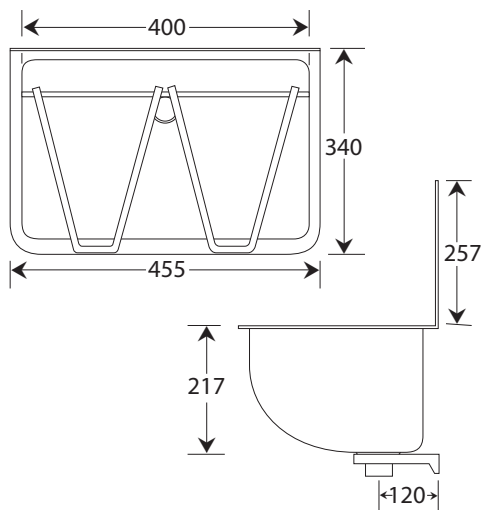
- Grade 304 stainless steel, 1mm thick
- Bright polished finish
- No tap holes
- 38mm flush grated waste fitting (no overflow, plug or chain)
- Overall diameter 390mm, internal diameter 360mm x 180mm deep
- Overflow with appropriate waste by special order
- HTM64, HBN 00-10 and 01-05 compliant
- Optional taps from our extensive range
- Optional plastic or chrome plated brass bottle traps
- In stock 1 to 2 working days

**Taps shown for illustration purposes only*

STAINLESS STEEL UTILITY SINKS

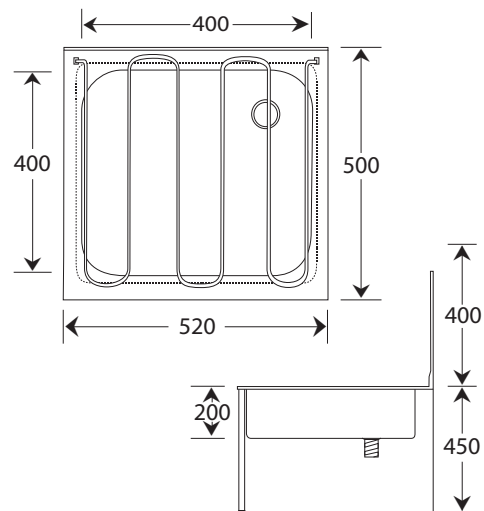
	Page
Wall Mounted Bucket Sink.....	73
Heavy Duty Bucket Sink	73
Heavy Duty Wall Mounted Bucket Sink With Removable Grating	74
Janitorial Unit.....	74
Small Knee Operated Sink.....	75
Large Knee Operated Sink	75
Single Sink Bowl With Frame and Shelf	76
Janitorial Sink and Wash Basin Unit.....	76
Floor Standing Belfast Sink	77
Floor Standing Boot Wash Sink.....	77
Utility Sink Accessories	78

WE281 WALL MOUNTED BUCKET SINK



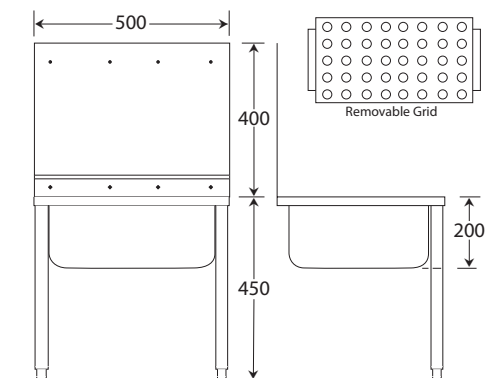
- Grade 304 stainless steel, 0.9mm thick
- 38mm flush grated waste fitting (no overflow, plug or chain)
- Wall mounted
- Removable hinged bucket grating
- Separate stainless steel 257mm splashback
- Wall bracket and wall fixing flange
- No legs - see alternative models for floor mounting
- Optional wall mounted taps from our extensive range
- Optional plastic or chrome plated brass bottle traps
- In stock 1 to 2 working days

WE282 HEAVY DUTY BUCKET SINK



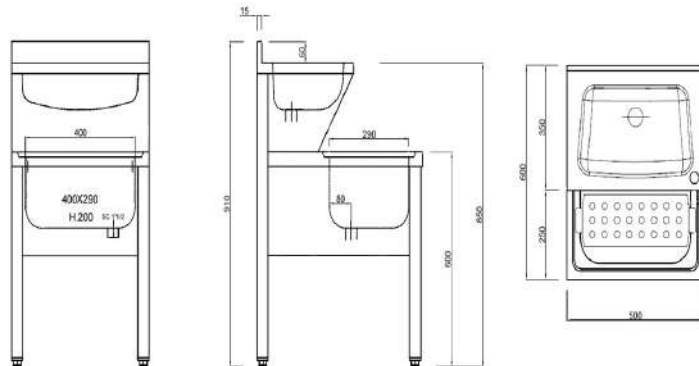
- Grade 304 stainless steel, 1.2mm thick
- 38mm flush grated waste fitting (no overflow, plug or chain)
- Wall mounted with front support legs
- Hinged bucket grating
- Separate stainless steel 400mm splashback
- Wall fixing points
- Stainless steel 450mm front legs with adjustable feet
- Optional wall mounted taps from our extensive range
- Optional plastic or chrome plated brass bottle traps
- In stock 1 to 2 working days

WE286 HEAVY DUTY BUCKET SINK WITH REMOVABLE BUCKET GRATING



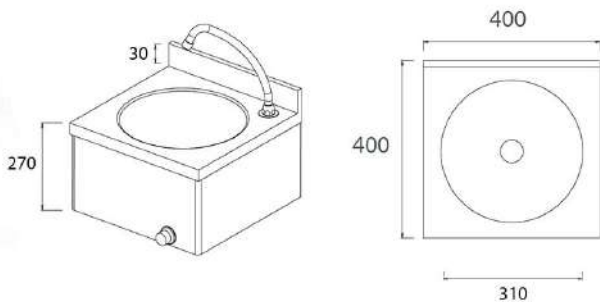
- Grade 304 stainless steel, 1.2mm thick
- 38mm flush grated waste fitting with standpipe overflow tube
- Wall mounted with front support legs
- Perforated removable stainless steel bucket grating
- Separate stainless steel 400mm splashback
- Wall fixing points
- Stainless steel 450mm front legs with adjustable feet
- Optional wall mounted taps from our extensive range
- Optional plastic or chrome plated brass bottle traps
- In stock 1 to 2 working days

MHP560-JU JANITORIAL UNIT



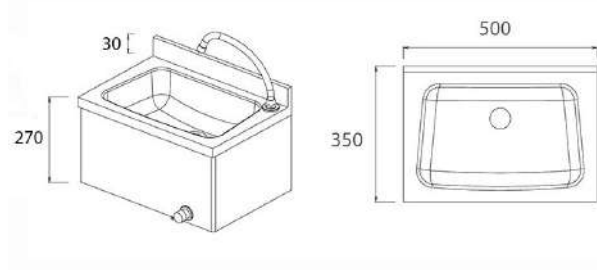
- Grade 304 stainless steel, 1.2mm thick
- 38mm flush grated waste fitting with standpipe overflow on sink
- 38mm waste fitting with plug for hand washing basin
- Combined bucket sink with hand wash basin
- Can be free standing or wall mounted with concealed bracket
- Lever operated swivel mixer tap with copper tails
- Perforated removable stainless steel bucket grating
- Four stainless steel legs with adjustable feet
- In stock 1 to 2 working days

WE235 KNEE OPERATED SINK



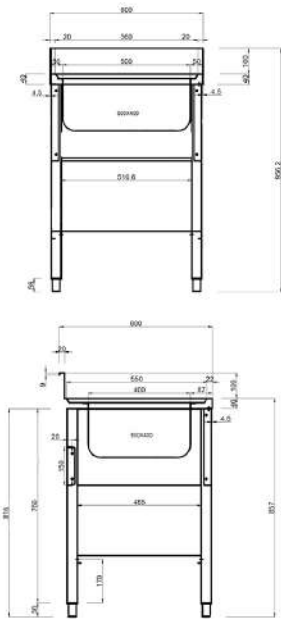
- Grade 304 stainless steel, 0.9mm thick
- Satin polished finish
- WRAS approved front push valve
- Swivel basin spout
- 38mm flush grated waste fitting
- Overall dimensions 400x 400 x 270mm
- Wall fixing points
- Optional plastic or chrome plated brass bottle traps
- In stock 1 to 2 working days

WE237 KNEE OPERATED SINK



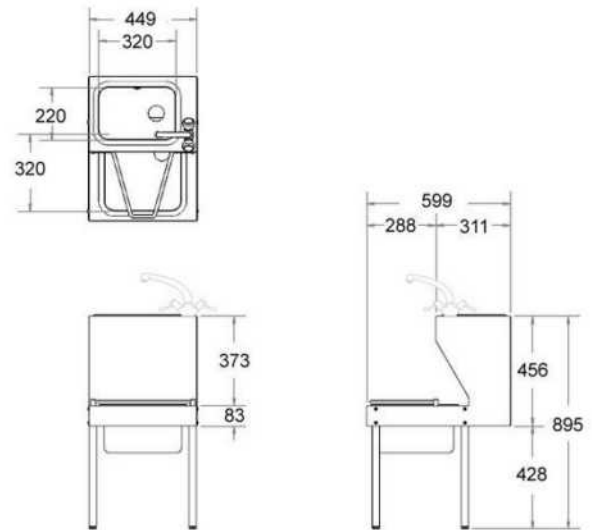
- Grade 304 stainless steel, 0.9mm thick
- Satin polished finish
- WRAS approved front push valve
- Swivel basin spout
- 38mm flush grated waste fitting
- Overall dimensions 500 x 350 x 270mm
- Wall fixing points
- Optional plastic or chrome plated brass bottle traps
- In stock 1 to 2 working days

CS860-SB SINGLE BOWL ON FRAME



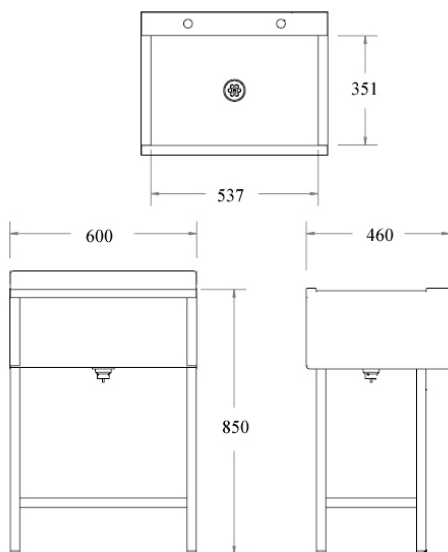
- Grade 304 stainless steel
- Satin polished finish
- 38mm waste fitting with stand up overflow
- Overall dimensions 600 x 600 x 850mm high
- Bowl size 500 x 400 x 200mm deep
- Tap holes drilled to customer requirements
- Supplied flat pack for easy site assembly
- Fully rigid when assembled
- Adjustable height feet
- Optional taps and traps
- In stock 1 to 2 working days

WE295 JANITORIAL SINK AND WASH BASIN UNIT



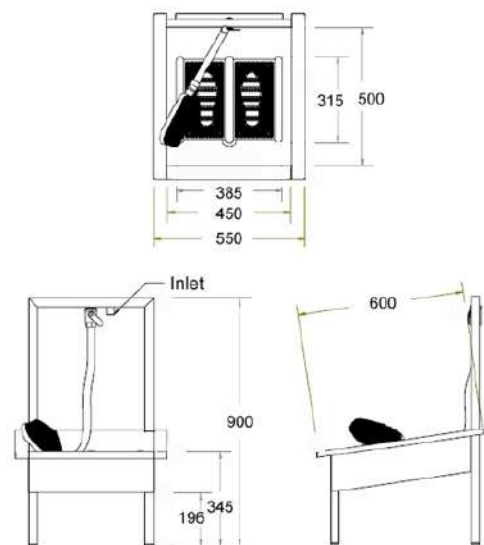
- Grade 304 stainless steel, 1.2mm thick
- 38mm flush grated waste fitting to sink bowl
- 38mm waste fitting with plug for hand washing basin
- Combined bucket sink with hand wash basin
- Wall and floor fixing points
- Lever operated swivel mixer tap with copper tails
- Hinged stainless steel bucket grating
- Four stainless steel legs with adjustable feet
- In stock 1 to 2 working days

WE287 FLOOR STANDING BELFAST SINK



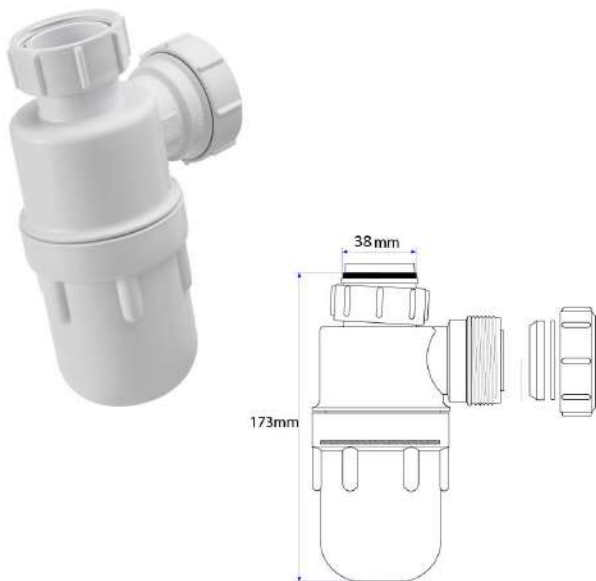
- Grade 304 stainless steel, 1.2mm thick
- 38mm waste fitting with overflow, plug and chain
- Two 28mm tap holes
- Sink bowl dimensions 537 x 351 x 250mm
- 60mm upstand
- Stainless steel support frame with adjustable feet
- Other sizes available to order
- Optional taps from our extensive range
- Optional plastic or chrome plated brass bottle traps
- Manufactured to order 10 to 15 working days

WE288 FLOOR STANDING BOOT WASH SINK



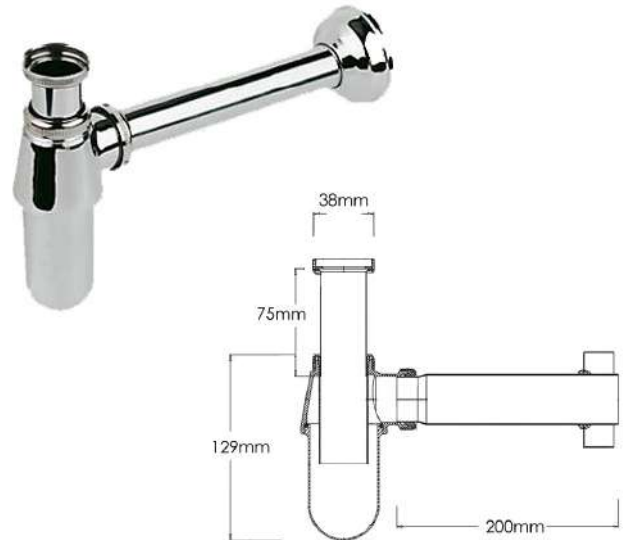
- Grade 304 stainless steel, 1.2mm thick
- 38mm flush grated waste fitting
- Sink bowl dimensions 450 x 500 x 149mm
- Water valve, hose and brush
- Foot pad with cleaning bristles
- Rear hand support rail
- Water supply controlled by valve mounted on rear hand rail
- Four stainless steel legs with adjustable feet
- Optional plastic or chrome plated brass bottle traps
- Manufactured to order 10 to 15 working days

LARGE-PLASTIC-BOTTLETRAP - 38MM
(1 1/2") BOTTLE TRAP



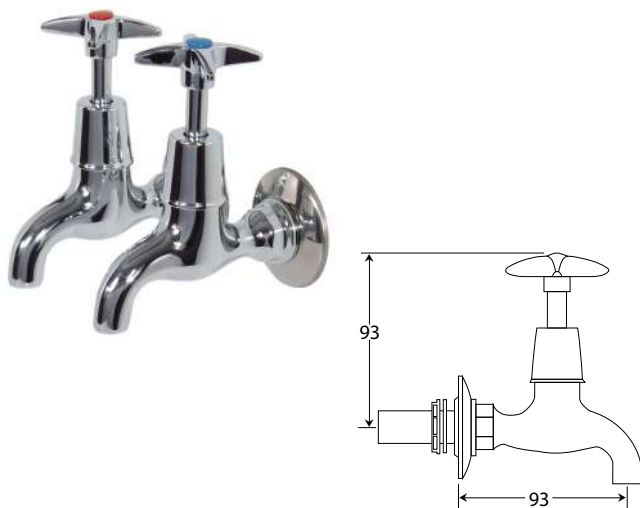
- McAlpine 38mm plastic bottle trap
- Suitable for 38mm waste fittings
- In stock 1 to 2 working days

LARGE-CHROME-BOTTLETRAP - (1 1/2")
CHROME PLATED BOTTLE TRAP



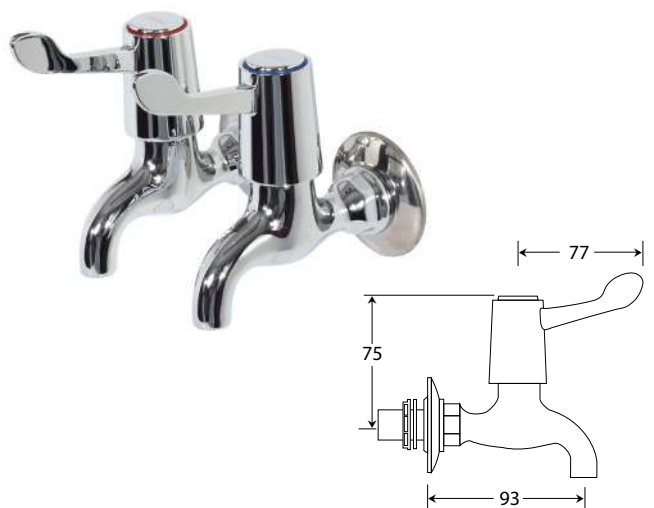
- 38mm chrome plated brass bottle trap with waste pipe and wall flange
- Suitable for 38mm waste fittings
- In stock 1 to 2 working days

TVS6713 CHROME PLATED CROSS
HEAD BIB TAPS



- Supplied in pairs, wall mounted design
- 1/2" tap connections, 22mm tap holes required
- Optional wall plate elbows (for exposed supply)
- Optional 50mm or 100mm extensions
- In stock 1 to 2 working days

TVS6723-3 CHROME PLATED LEVER
BIB TAPS

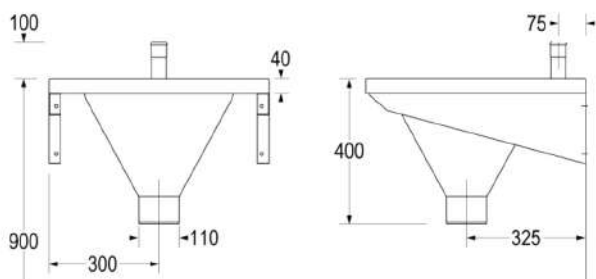
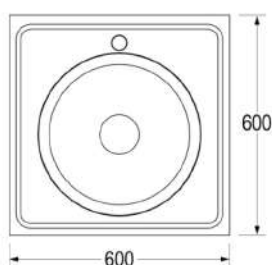


- Supplied in pairs, wall mounted design with 3" lever handles
- 1/2" tap connections, 22mm tap holes required
- Optional wall plate elbows (for exposed supply)
- Optional 50mm or 100mm extensions
- In stock 1 to 2 working days

HOSPITAL EQUIPMENT

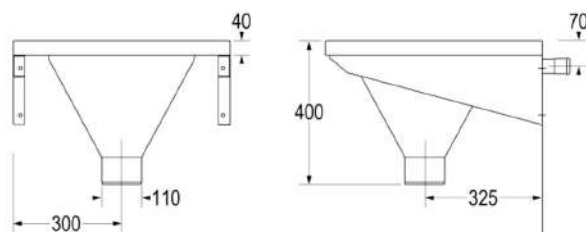
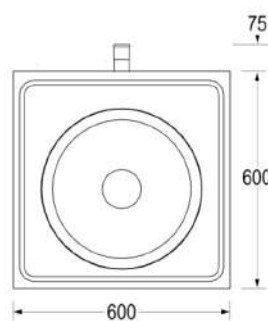
	Page
DU Sluice Sink - Exposed Cistern	80
DU Sluice Sink - Concealed Cistern.....	80
DU HS Sluice Sink with Sink and Plain Top - Exposed Cistern.....	81
DU HS Sluice Sink with Sink and Plain Top - Concealed Cistern	81
DU H Sluice Sink with Plain Top - Exposed Cistern	82
DU H Sluice Sink with Plain Top - Concealed Cistern	82
PS H Plaster Sink	83
SU H Scrub Up Trough.....	83
SK 1 Single Bowl Sink 600 x 600mm	84
SK 2 Double Bowl Sink.....	84
ST A Single Bowl Single Drainer Sink Top	85
ST B Single Bowl Double Drainer Sink Top	85
ST C Double Bowl Single Drainer Sink Top.....	86
SK 3 Single Bowl Sink 500mm x 500mm	86
Hospital Janitorial Unit.....	87
Sharps Box with Sharps Bin	87
Wall Mounted Thermostatic Tap	88
Deck Mounted Thermostatic Tap	88
Hospital Equipment Accessories	89
Hospital Equipment Accessories	90

MHP804-TE SLUICE SINK - EXPOSED CISTERN



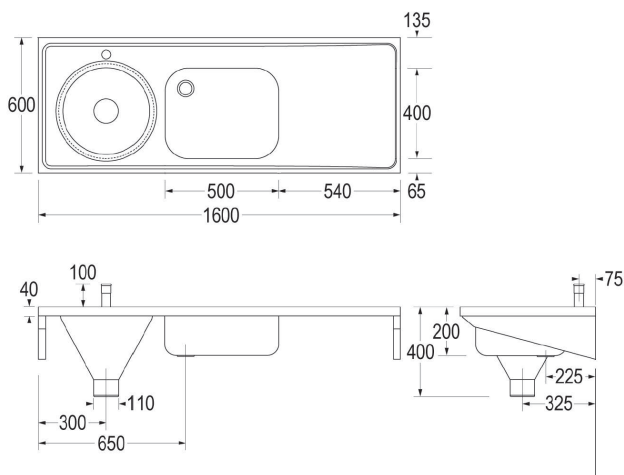
- Model DU hospital disposal unit with slop hopper
- Grade 304 stainless steel, 1.2mm thick
- Pressed top to conform to HBN 00-10 Part C and HTM64 standards
- Top entry flush pipe connection with flush pipe (for exposed cistern)
- Stainless steel wall brackets
- Full flushing rim (requires cistern)
- 110mm OD outlet with optional plastic P or S trap
- Optional hinged stainless steel grating
- Optional front support legs, cisterns, tap holes and taps
- In stock 2 to 3 working days

MHP804-BE SLUICE SINK - CONCEALED CISTERN



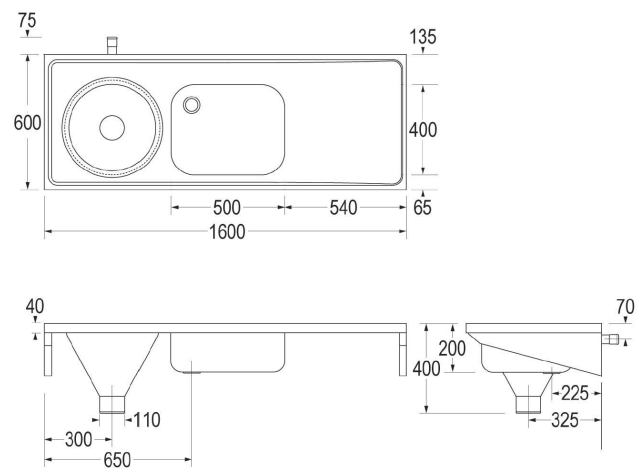
- Model DU hospital disposal unit with slop hopper
- Grade 304 stainless steel, 1.2mm thick
- Pressed top to conform to HBN 00-10 Part C and HTM64 standards
- Back entry flush pipe connection (for concealed cistern)
- Stainless steel wall brackets
- Full flushing rim (requires cistern)
- 110mm OD outlet with optional plastic P or S trap
- Optional hinged stainless steel grating
- Optional front support legs, cisterns, tap holes and taps
- In stock 2 to 3 working days

MHP801-TE SLUICE SINK WITH SINK AND PLAIN TOP - EXPOSED CISTERN



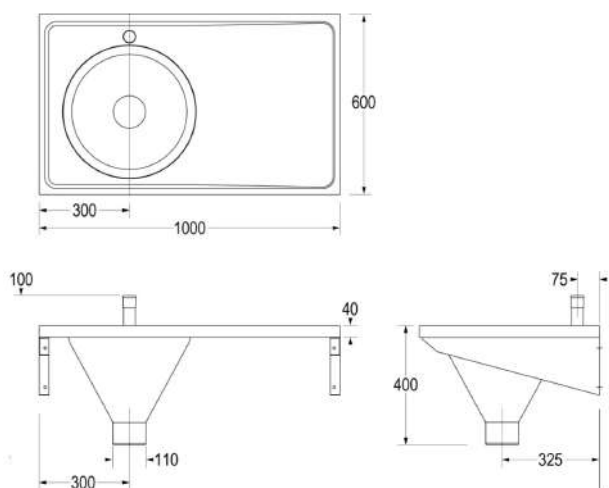
- Model DU HS hospital disposal unit with slop hopper, sink and plain top
- Grade 304 stainless steel, 1.2mm thick
- Pressed top to conform to HBN 00-10 Part C and HTM64 standards
- Top entry flush pipe connection with flush pipe (for exposed cistern)
- Stainless steel wall brackets
- Full flushing rim (requires cistern), 110mm OD outlet with optional plastic P or S trap
- Sink with 38mm flush grated waste fitting, no overflow or plug
- Left or right hand sluice sink (slop hopper) available
- Optional hinged stainless steel grating, front support legs, cisterns, tap holes and taps
- In stock 2 to 3 working days

MHP801-BE SLUICE SINK WITH SINK AND PLAIN TOP - CONCEALED CISTERN



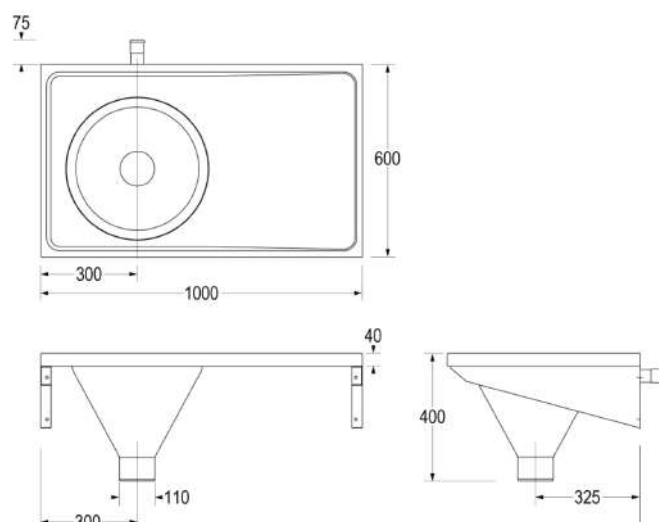
- Model DU HS hospital disposal unit with slop hopper, sink and plain top
- Grade 304 stainless steel, 1.2mm thick
- Pressed top to conform to HBN 00-10 Part C and HTM64 standards
- Back entry flush pipe connection with flush pipe (for concealed cistern)
- Stainless steel wall brackets
- Full flushing rim (requires cistern), 110mm OD outlet with optional plastic P or S trap
- Sink with 38mm flush grated waste fitting, no overflow or plug
- Left or right hand sluice sink (slop hopper) available
- Optional hinged stainless steel grating, front support legs, cisterns, tap holes and taps
- In stock 2 to 3 working days

MHP802-TE SLUICE SINK WITH PLAIN TOP - EXPOSED CISTERN



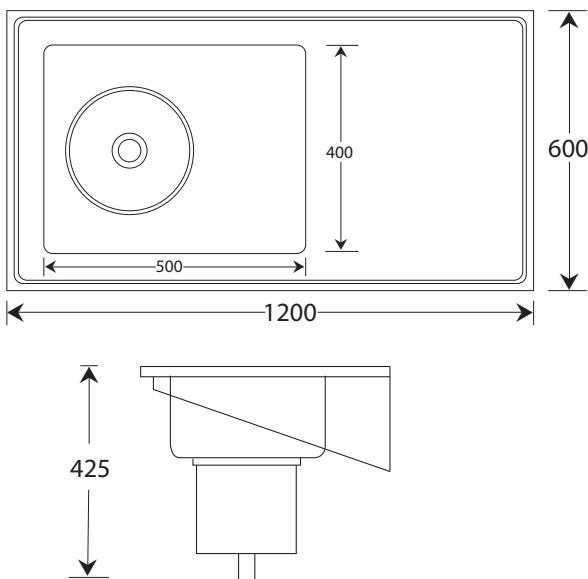
- Model DU H hospital disposal unit with slop hopper and plain top
- Grade 304 stainless steel, 1.2mm thick
- Pressed top to conform to HBN 00-10 Part C and HTM64 standards
- Top entry flush pipe connection with flush pipe (for exposed cistern)
- Stainless steel wall brackets
- Full flushing rim (requires cistern), 110mm OD outlet with optional plastic P or S trap
- Left or right hand sluice sink (slop hopper) available
- Optional hinged stainless steel grating
- Optional front support legs, cisterns, tap holes and taps
- In stock 2 to 3 working days

MHP802-BE SLUICE SINK WITH PLAIN TOP - CONCEALED CISTERN



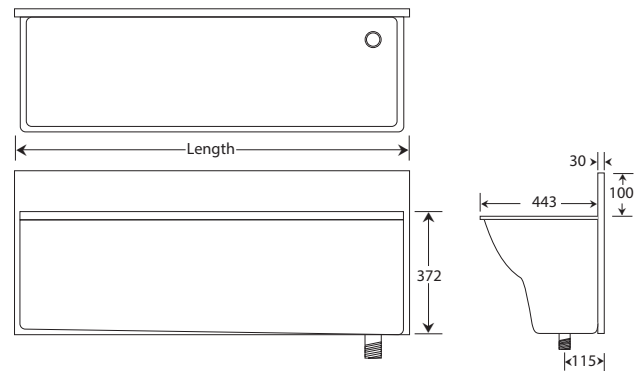
- Model DU H hospital disposal unit with slop hopper and plain top
- Grade 304 stainless steel, 1.2mm thick
- Pressed top to conform to HBN 00-10 Part C and HTM64 standards
- Back entry flush pipe connection with flush pipe (for concealed cistern)
- Stainless steel wall brackets
- Full flushing rim (requires cistern), 110mm OD outlet with optional plastic P or S trap
- Left or right hand sluice sink (slop hopper) available
- Optional hinged stainless steel grating
- Optional front support legs, cisterns, tap holes and taps
- In stock 2 to 3 working days

MHP805 PLASTER SINK



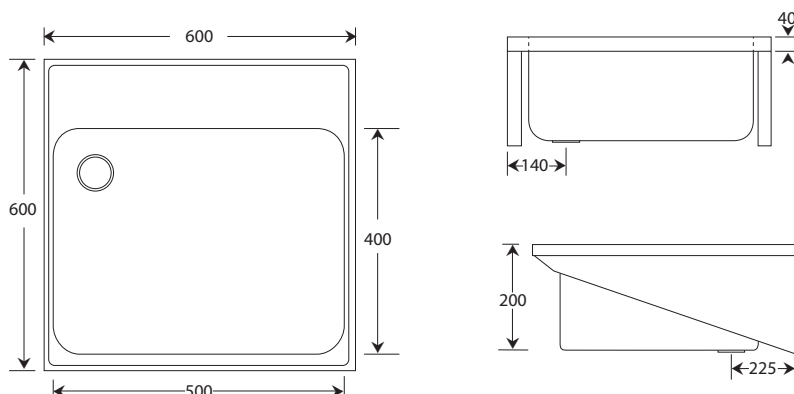
- Model PS H hospital plaster sink with plain top
- Grade 304 stainless steel, 1.2mm thick
- Pressed top to conform to HBN 00-10 Part C and HTM64 standards
- Stainless steel wall brackets
- Round plaster sump with removable perforated basket and lid
- 38mm flush grated waste fitting, no overflow or plug
- Left or right hand sink
- Optional front support legs
- Optional tap holes and taps
- Manufactured to order 10 to 15 working days

MHP806-FR SCRUB UP TROUGH



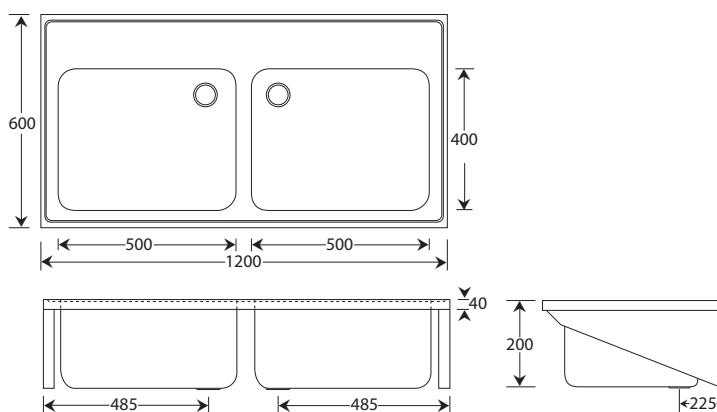
- Model SU H surgeons wall mounted scrub up trough
- Grade 304 stainless steel, 1.5mm thick
- Conforms to HBN 00-10 Part C and HTM64 standards
- Fully radiused polished corners
- 3 standard sizes: 800mm | 1600mm | 2400mm
- Standard model with low shallow splashback
- High or low splashback models available
- Shallow or deep splashback models available
- Left or right hand 38mm flush grated waste fitting
- Optional trap covers, tap holes and taps
- Manufactured to order 15 to 20 working days

MHP808-SK1 SINGLE BOWL SINK



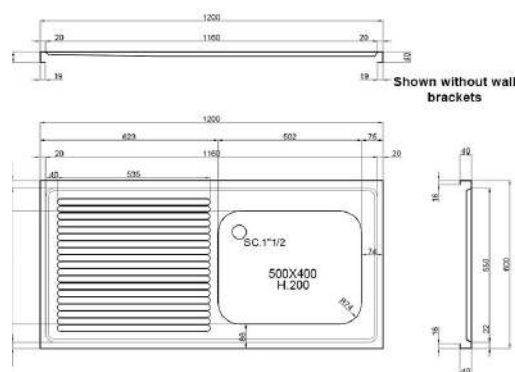
- Model SK 1 single bowl sink
- Grade 304 stainless steel, 1.2mm thick
- Conforms to HBN 00-10 Part C and HTM64 standards
- Stainless steel wall brackets
- 38mm flush grated waste fitting, no overflow or plug
- Fully radiused easy clean corners
- Optional tap holes
- Optional front support legs
- Optional taps from our extensive range
- In stock 2 to 3 working days

MHP808-SK2 DOUBLE BOWL SINK



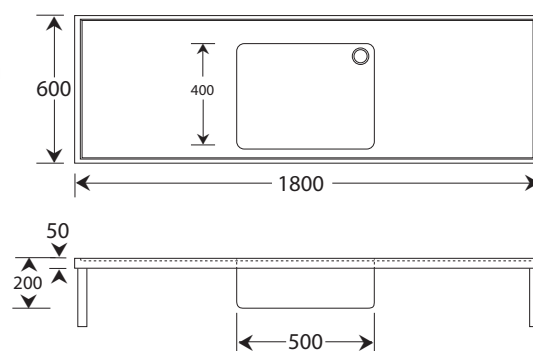
- Model SK 2 double bowl sink
- Grade 304 stainless steel, 1.2mm thick
- Conforms to HBN 00-10 Part C and HTM64 standards
- Stainless steel wall brackets
- 38mm flush grated waste fittings, no overflows or plugs
- Fully radiused easy clean corners
- Optional tap holes to each bowl
- Optional front support legs
- Optional taps from our extensive range
- In stock 2 to 3 working days

MHP809-STA SINGLE BOWL SINGLE DRAINER SINK TOP



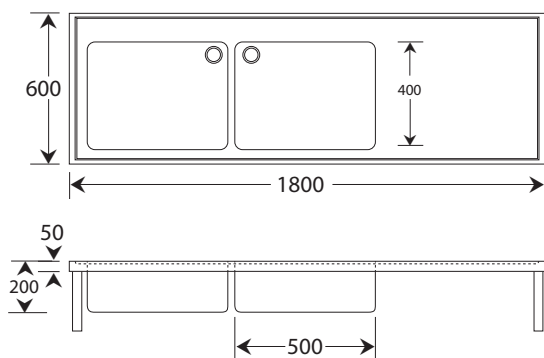
- Model ST A single bowl single drainer sink top
- Grade 304 stainless steel, 1.2mm thick
- Conforms to HBN 00-10 Part C and HTM64 standards
- Left or right hand drainer
- Stainless steel wall brackets
- 38mm flush grated waste fitting, no overflow or plug
- Fully radiused easy clean corners
- Optional front support legs
- Optional tap holes and taps
- In stock 2 to 3 working days

MHP809-STB SINGLE BOWL DOUBLE DRAINER SINK TOP



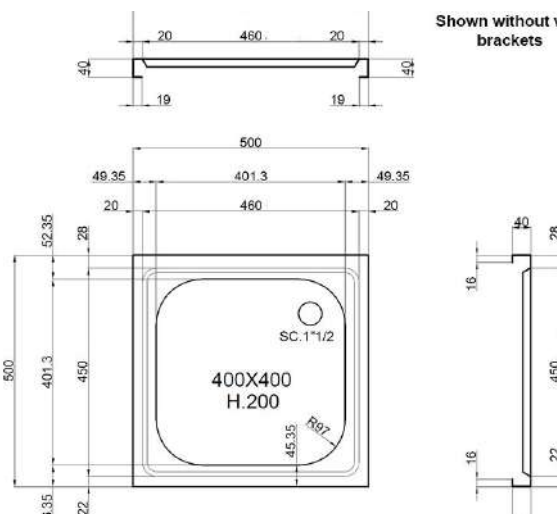
- Model ST B single bowl double drainer sink top
- Grade 304 stainless steel, 1.5mm thick
- Conforms to HBN 00-10 Part C and HTM64 standards
- Stainless steel wall brackets
- 38mm flush grated waste fitting, no overflow or plug
- Fully radiused easy clean corners
- Optional tap holes
- Optional front support legs
- Optional taps from our extensive range
- Manufactured to order 10 to 15 working days

MHP809-STC DOUBLE BOWL SINGLE DRAINER SINK TOP



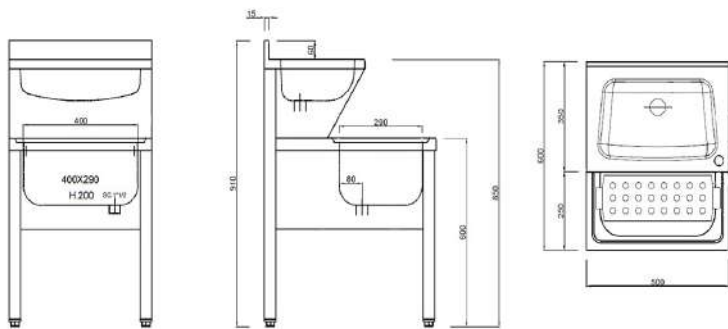
- Model ST C double bowl single drainer sink top
- Grade 304 stainless steel, 1.5mm thick
- Conforms to HBN 00-10 Part C and HTM64 standards
- Left or right hand drainer
- Stainless steel wall brackets
- 38mm flush grated waste fittings, no overflows or plugs
- Fully radiused easy clean corners
- Optional front support legs
- Optional tap holes and taps
- Manufactured to order 10 to 15 working days

MHP808-SK3 SINGLE SINK BOWL 500MM



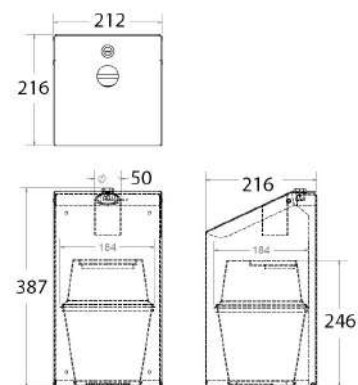
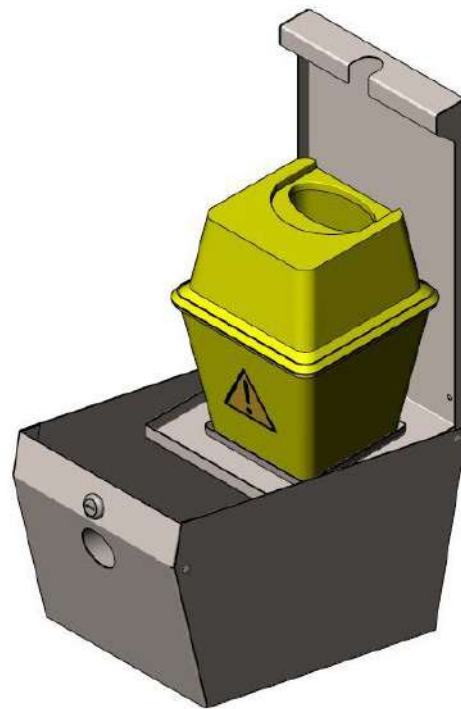
- Model SK 3 500mm x 500mm single bowl sink
- Grade 304 stainless steel, 1.2mm thick
- Conforms to HBN 00-10 Part C and HTM64 standards
- Stainless steel wall brackets
- 38mm flush grated waste fitting, no overflow or plug
- Fully radiused easy clean corners
- Optional tap holes
- Optional front support legs
- Optional taps from our extensive range
- In stock 2 to 3 working days

MHP560-JU HOSPITAL JANITORIAL UNIT



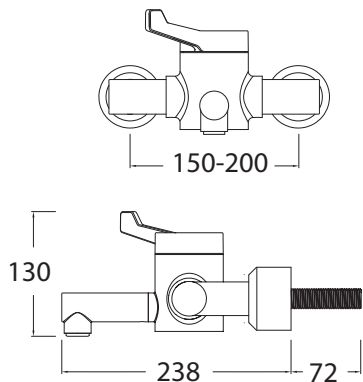
- Grade 304 stainless steel, 1.2mm thick
- 38mm flush grated waste fitting with standpipe overflow on sink
- 38mm waste fitting with plug for hand washing basin
- Combined bucket sink with hand wash basin
- Can be free standing or wall mounted with concealed bracket
- Lever operated swivel mixer tap with copper tails
- Perforated removable stainless steel bucket grating
- Four stainless steel legs with adjustable feet
- In stock 1 to 2 working days

MHP814 SHARPS BOX WITH SHARPS BIN



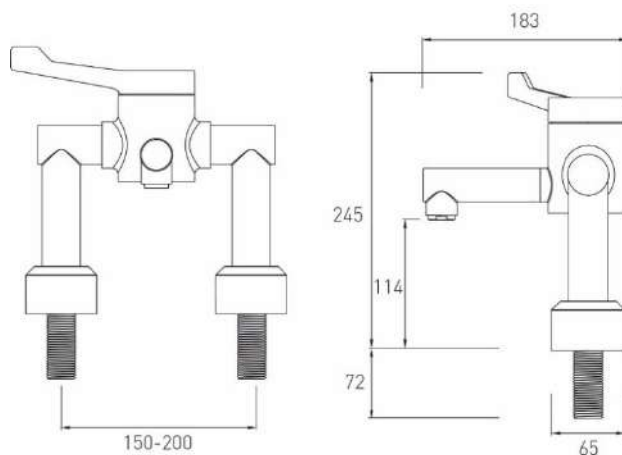
- Wall mounted sharps disposal box with sharps bin
- Grade 304 stainless steel, 1.2mm thick
- Safe and secure disposal of needles and sharp objects
- Concealed wall fixing holes
- 2 litre removable plastic sharps container
- Supplied with one container
- Hinged door with lock
- 38mm diameter hole for disposal of needles and sharps
- Deep disposal tube helps prevent accidental injury
- Manufactured to order 10 to 15 working days

TVS6761 WALL MOUNTED THERMOSTATIC TAP



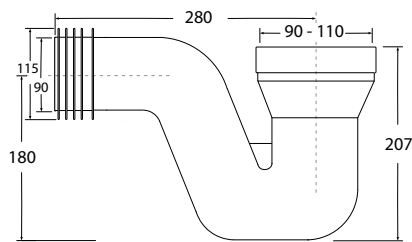
- Wall mounted lever operated thermostatic hospital mixer tap
- Compliant to HTM 04-01 NHS D08 (formerly HTM64 and HBN 00-10) standards
- Safe touch body
- Lever can be operated easily by wrist or elbow
- Internal flushing mechanism assists against infection
- One step isolation and filter removal
- Adjustable fixing centres
- WRAS approved
- 2 x 22mm tap holes required
- In stock 2 to 3 working days

TVS6765 DECK MOUNTED THERMOSTATIC TAP



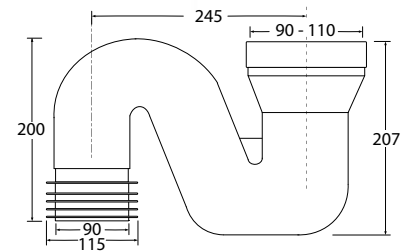
- Deck mounted lever operated thermostatic hospital mixer tap
- HTM 04-01 NHS D08 compliant (formerly HTM64 and HBN 00-10)
- Safe touch body
- Lever can be operated easily by wrist or elbow
- Internal flushing mechanism assists against infection
- One step isolation and filter removal
- Adjustable fixing centres
- WRAS approved
- 2 x 22mm tap holes required
- In stock 2 to 3 working days

POLYPTRAP P TRAP



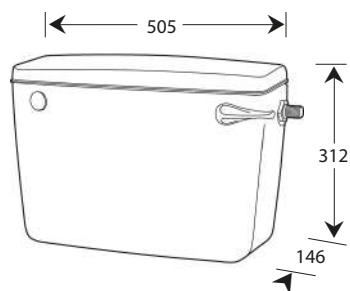
- Polypropylene 4" P trap
- Horizontal outlet
- Push fit connections
- In stock 1 to 2 working days

POLYSTRAP S TRAP



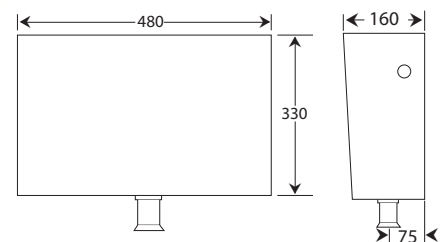
- Polypropylene 4" S trap
- Vertical outlet
- Push fit connections
- In stock 1 to 2 working days

MHP-CISTERN-PLASTIC PLASTIC EXPOSED CISTERN



- White plastic exposed manual cistern
- Front lever operation
- Concealed model also available
- In stock 1 to 2 working days

MHP-CISTERN-STAINLESS STAINLESS STEEL EXPOSED CISTERN



- Stainless steel grade 304 exposed manual cistern
- Front lever operation
- Side inlet
- In stock 1 to 2 working days

TVS6768BPC WALL MOUNTED
BED PAN CLEANER



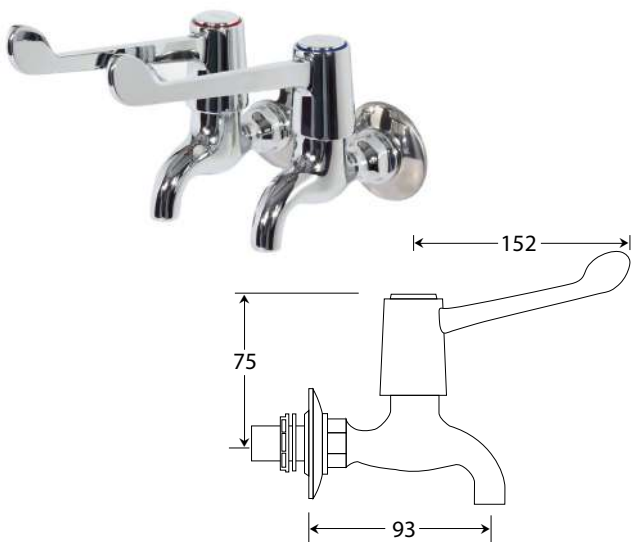
- Hose and trigger operated spray head
- Vacuum breaker to prevent water supply contamination
- Can be connected to exposed or concealed water supply
- In stock 1 to 2 working days

TVS6722-6 LEVER SINK TAPS
(SIX INCH LEVERS)



- Supplied in pairs, deck mounted design
- 1/2" tap connections, 22mm tap holes required
- Quarter turn operation
- Easy wrist or elbow operation
- In stock 1 to 2 working days

TVS6723-6 LEVER BIB TAPS
(SIX INCH LEVERS)



- Supplied in pairs, wall mounted design
- 1/2" tap connections, 22mm tap holes required
- Optional wall plate elbows (for exposed supply)
- Optional 50mm or 100mm extensions
- In stock 1 to 2 working days

CP100WX-PAIR 100MM BIB TAP
EXTENSIONS



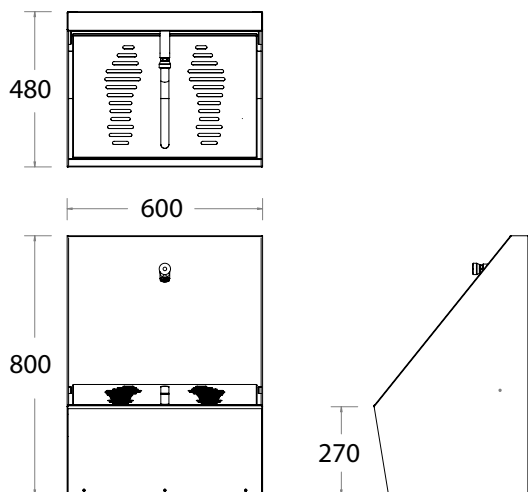
- Supplied in pairs
- For lever and cross head bib taps
- 1/2" connections
- Optional wall plate elbows (for exposed supply)
- In stock 1 to 2 working days

WUDU RITUAL WASH TROUGHS

Wudu translates as cleaning oneself in preparation for prayer

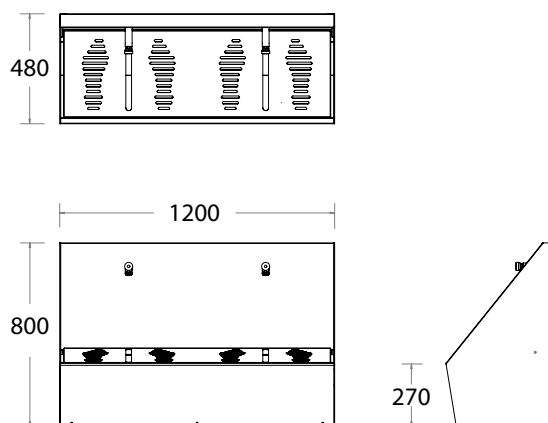
	Page
Single Wudu Ritual Wash Trough	92
Double Wudu Ritual Wash Trough	92
Triple Wudu Ritual Wash Trough	93
Wudu Ritual Foot Wash Stool.....	93

WE401 SINGLE WUDU RITUAL WASH TROUGH



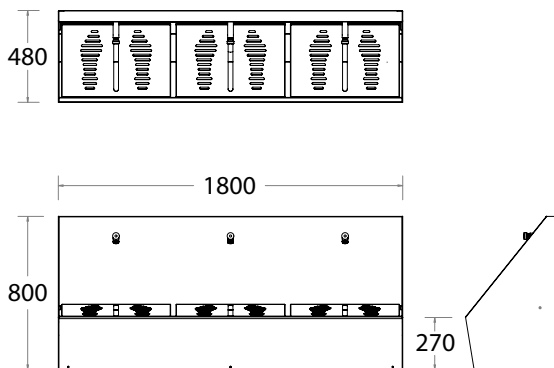
- Grade 304 stainless steel, 1.2mm thick
- Centre 38mm waste fitting
- Suitable for one user
- Single press button time flow tap (WRAS approved)
- Hinged foot plate for ease of cleaning
- Removable front access panel
- Double and purpose made units available
- Optional stainless steel foot wash stool
- In stock 1 to 2 working days

WE402 DOUBLE WUDU RITUAL WASH TROUGH



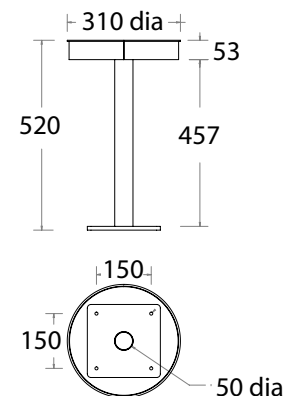
- Grade 304 stainless steel, 1.2mm thick
- Centre 38mm waste fitting
- Suitable for two users
- Two press button time flow taps (WRAS approved)
- Hinged foot plate for ease of cleaning
- Removable front access panel
- Single and purpose made units available
- Optional stainless steel foot wash stool
- In stock 1 to 2 working days

WE403 TRIPLE WUDU RITUAL WASH TROUGH



- Grade 304 stainless steel, 1.2mm thick
- Centre 38mm waste fitting
- Suitable for three users
- Three press button time flow taps (WRAS approved)
- Hinged foot plate for ease of cleaning and removable front access panel
- Single and double units available (1 to 2 working days)
- Purpose made units available
- Optional stainless steel foot wash stool
- Manufactured to order 10 to 15 working days

WE4FS WUDU RITUAL FOOT WASH STOOL



- Grade 304 stainless steel, 1.2mm thick
- 310mm diameter seat
- 520mm high
- 5mm thick seat
- 3mm thick skirt around the seat
- 150 x 150mm baseplate, 8mm thick
- Floor fixing holes in baseplate
- Special heights available to order
- In stock 1 to 2 working days

CATERING SINKS AND TABLES

	Page
Stock Catering Sinks	95
Single Bowl No Drainer	96
Double Bowl No Drainer	96
Single Bowl Single Drainer.....	97
Single Bowl Double Drainer	97
Double Bowl Single Drainer	98
Double Bowl Double Drainer	98
Preparation Tables.....	99
Atlantic Single Bowl Single Drainer.....	99
City 50 & City 80 Inset Sinks.....	100
Grease Traps	100
Catering Accessories.....	101

CS860-STOCK STOCK CATERING SINKS



- Grade 304 stainless steel, 1mm thick sink top
- Grade 304 stainless steel, 1.2mm thick frame and shelf
- Flat pack with frame, shelf and adjustable feet
- 600mm front to back, 850mm high, 100mm rear boxed upstand
- **CS860-SB**
Single bowl no drainer: length 600mm, bowl 500 x 400 x 200mm
- **CS860-SBSB-10**
Single bowl single drainer: length 1000mm, bowl 500 x 400 x 200mm (left or right hand drainer)
- **CS860-SBSB-12**
Single bowl single drainer: length 1200mm, bowl 400 x 400 x 200mm (left or right hand drainer)
- **CS860-DBSD-15**
Double bowl single drainer: length 1500mm, bowls 2 x 400 x 400 x 200mm (left or right hand drainer)
- 38mm waste fitting with standpipe overflow to each sink bowl
- Tap holes drilled to suit customer requirements
- Optional taps from our extensive range
- In stock 2 to 3 working days

CS851-SB SINGLE BOWL NO DRAINER CATERING SINK



- Grade 304 stainless steel, 1.2mm thick
- 38mm waste fitting with overflow, plug and chain
- **CS851-SB-SITON** for sitting on a base unit by others
- **CS851-SB-INSET** for inseting into a worktop
- **CS851-SB-FRAME** Free standing design - flat pack with frame, shelf and adjustable feet (850mm high)
- Standard bowl size 500 x 400 x 250mm, other sizes available
- Standard front to back 600mm (inset design 550mm), other sizes available
- Standard length 740mm, other sizes available
- Tap holes drilled to customer specification
- Optional standpipe strainer/overflow waste fitting
- Optional taps from our extensive range
- Manufactured to order 10 to 15 working days

CS851-DB DOUBLE BOWL NO DRAINER CATERING SINK



- Grade 304 stainless steel, 1.2mm thick
- 38mm waste fittings with overflows, plugs & chains
- **CS851-DB-SITON** for sitting on a base unit by others
- **CS851-DB-INSET** for inseting into a worktop
- **CS851-DB-FRAME** Free standing design - flat pack with frame, shelf and adjustable feet (850mm high)
- Standard bowl size 500 x 400 x 250mm, other sizes available
- Standard front to back 600mm (inset design 550mm), other sizes available
- Standard length 1500mm, other sizes available
- Tap holes drilled to customer specification
- Optional standpipe strainer/overflow waste fitting
- Optional taps from our extensive range
- Manufactured to order 10 to 15 working days

CS851-SBSD SINGLE BOWL SINGLE DRAINER CATERING SINK



- Grade 304 stainless steel, 1.2mm thick
- 38mm waste fitting with overflow, plug and chain to each sink bowl
- **CS851-SBSB-SITON** to sit on a base unit by others
- **CS851-SBSD-INSET** for inseting into a worktop
- **CS851-SBSD-FRAME** Free standing design - flat pack with frame, shelf and adjustable feet (850mm high)
- Standard bowl size 500 x 400 x 250mm, other sizes available
- Standard front to back 600mm (inset design 550mm), other sizes available
- Standard lengths: 1000mm | 1200mm | 1500mm | 1800mm, other sizes available
- Left or right hand drainer
- Tap holes drilled to customer specification
- Optional standpipe strainer/overflow waste fitting
- Optional taps from our extensive range
- Manufactured to order 10 to 15 working days

CS851-SBDD SINGLE BOWL DOUBLE DRAINER CATERING SINK



- Grade 304 stainless steel, 1.2mm thick
- 38mm waste fitting with overflow, plug and chain to each sink bowl
- **CS851-SBDD-SITON** to sit on a base unit by others
- **CS851-SBDD-INSET** for inseting into a worktop
- **CS851-SBDD-FRAME** Free standing design - flat pack with frame, shelf and adjustable feet (850mm high)
- Standard bowl size 500 x 400 x 250mm, other sizes available
- Standard front to back 600mm (inset design 550mm), other sizes available
- Standard lengths: 1500mm | 1800mm, other sizes available
- Tap holes drilled to customer specification
- Optional standpipe strainer/overflow waste fitting
- Optional taps from our extensive range
- Manufactured to order 10 to 15 working days

CS851-DBSD DOUBLE BOWL SINGLE DRAINER CATERING SINK



- Grade 304 stainless steel, 1.2mm thick
- 38mm waste fitting with overflow, plug and chain to each sink bowl
- **CS851-DBSD-SITON** to sit on a base unit by others
- **CS851-DBSD-INSET** for inseting into a worktop
- **CS851-DBSD-FRAME** Free standing design - flat pack with frame, shelf and adjustable feet (850mm high)
- Standard bowl size 500 x 400 x 250mm, other sizes available
- Standard front to back 600mm (inset design 550mm), other sizes available
- Standard lengths: 1800mm | 2400mm, other sizes available
- Left or right hand drainer
- Tap holes drilled to customer specification
- Optional standpipe strainer/overflow waste fitting
- Optional taps from our extensive range
- Manufactured to order 10 to 15 working days

CS851-DBDD DOUBLE BOWL DOUBLE DRAINER CATERING SINK



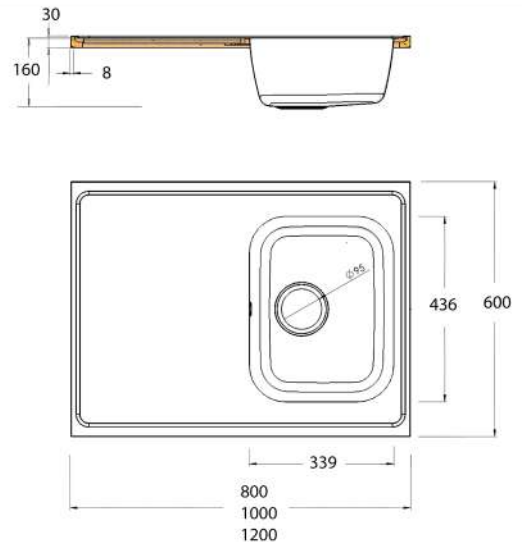
- Grade 304 stainless steel, 1.2mm thick
- 38mm waste fitting with overflow, plug and chain to each sink bowl
- **CS851-DBDD-SITON** to sit on a base unit by others
- **CS851-DBDD-INSET** for inseting into a worktop
- **CS851-DBDD-FRAME** Free standing design, flat pack with frame, shelf and adjustable feet (850mm high)
- Standard bowl size 500 x 400 x 250mm, other sizes available
- Standard front to back 600mm (inset design 550mm), other sizes available
- Standard lengths: 2400mm | 3000mm | 3500mm, other sizes available
- Tap holes drilled to customer specification
- Optional standpipe strainer/overflow waste fitting
- Optional taps from our extensive range
- Manufactured to order 10 to 15 working days

CS-PT PREPARATION TABLES



- Grade 304 stainless steel, 1.2mm thick
- Lengths up to 3000mm in one piece
- Standard front to back 600 or 650mm, other sizes available
- Flat pack with frame, shelf and adjustable feet
- Wall units with upstand for tables fixed against a rear wall
- Island units without upstand for tables fixed in the centre of the room
- Shelf height 180mm
- Overall height 850mm
- Manufactured to order 10 to 15 working days

ATLANTIC SINGLE BOWL SINGLE DRAINER CATERING SINK TOP



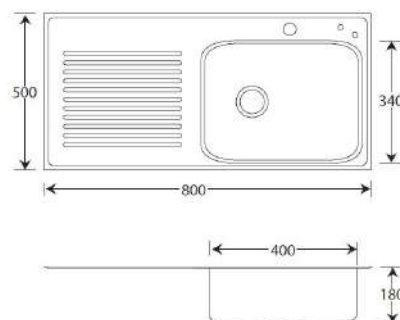
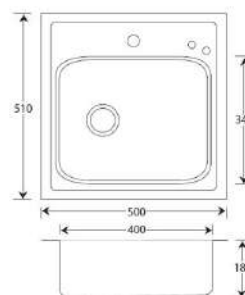
- Grade 304 stainless steel, 0.7mm thick
- Bright polished finish
- 38mm waste fitting with overflow, trap and stainless steel plug
- Lengths: 800mm | 1000mm | 1200mm
- Reversible sink top with a left or right hand drainer
- Sit on design for sitting on existing base units
- MDF strengthening bonded to underside
- 600mm front to back
- No tap holes or single 35mm tap hole to rear drainer side of bowl
- In stock 2 to 3 working days

STAINLESS STEEL GREASE TRAPS



- Grade 304 stainless steel
- 6 sizes from 37 to 170 litres
- McAlpine inlet and outlet fittings
- Revolvable internal basket strainer
- Airtight lid with neoprene seal
- Complies with BS EN 1825-1:2004 UK Building Regs
- Fully welded construction
- 10 year warranty
- In stock 2 to 3 working days

CITY 50S & CITY80SR INSET SINGLE BOWL & SINGLE BOWL SINGLE DRAINER



- Grade 304 stainless steel, 0.8mm thick
- Bright polished finish
- 38mm pop up strainer waste fitting with overflow
- No drainer model & left hand drainer model
- Supplied with sink mounted soap dispenser
- Inset design for inseting into existing worktops
- Small size suitable for smaller kitchen worktops
- Single 35mm tap hole
- Bowl size 400 x 340 x 180mm deep
- In stock 2 to 3 working days

TVS6712 HIGH NECK CROSS HEAD SINK TAPS



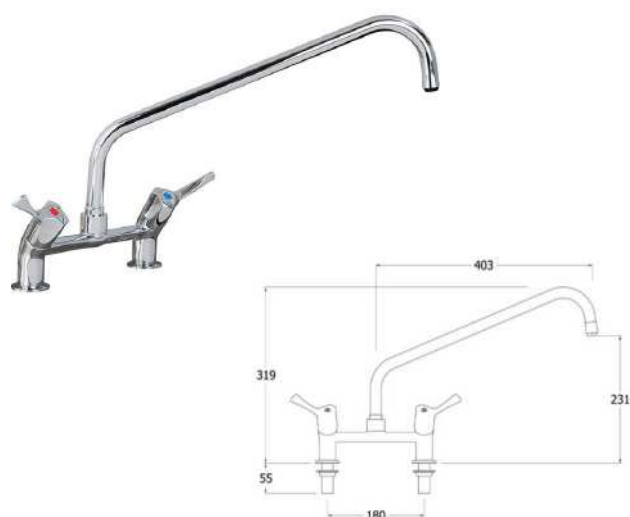
- Solid brass and finished in high polish chrome
- Supplied in pairs
- ½" tap connections, 22mm tap holes required
- Easy on/off action
- In stock 1 to 2 working days

TVS6722 HIGH NECK QUARTER TURN LEVER SINK TAPS (THREE INCH LEVERS)



- Solid brass and finished in high polish chrome
- Supplied in pairs
- ½" tap connections, 22mm tap holes required
- Easy wrist or elbow operation
- In stock 1 to 2 working days

TVS-TXB-30 LEVER MIXER TAP WITH LONG SPOUT



- Hot and cold lever operation
- 400mm long spout
- To order 2 to 3 working days

CATERING PRE-RINSE SPRAY TAPS

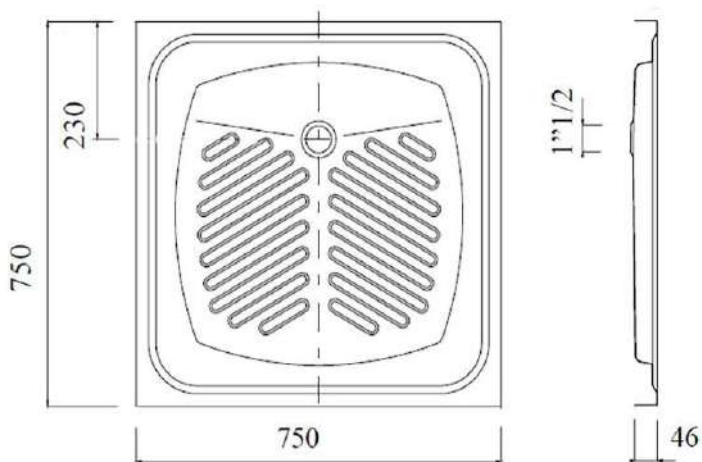


- Single or two tap hole fitting
- Standard, short and super short designs
- Optional pot fillers
- See tap section for full range
- In stock 1 to 2 working days

SHOWERS

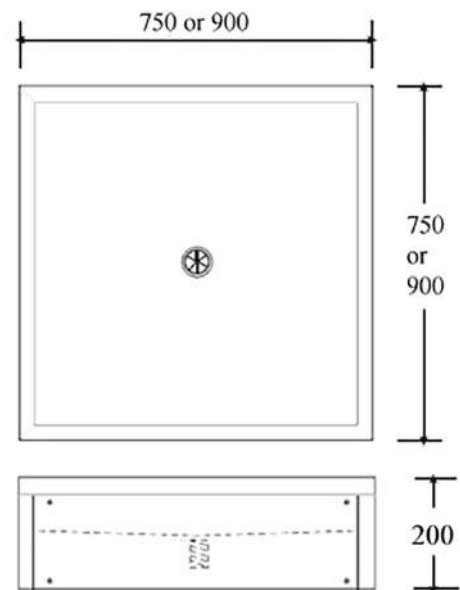
	Page
Recessed Shower Tray	103
Floor Standing Shower Tray	103
Wall Mounted Shower Panel	104
Shower Cubicle	104
Shower Panel	105
Sports Wall Mounted Shower Panel	105
Free Standing Beach Shower	106
Free Standing Column Shower	106

SH495 RECESSED SHOWER TRAY



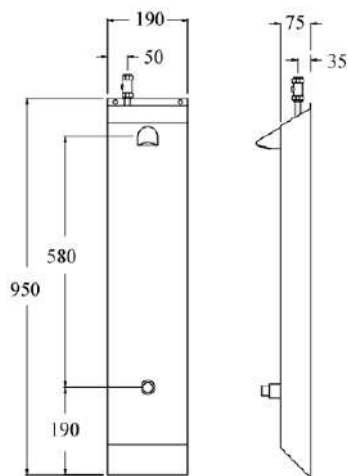
- Grade 304 stainless steel, 1.2mm thick
- 38mm flush grated waste fitting (no overflow or plug)
- Rear centre waste position
- Designed to be installed into the floor
- Turned down edges for recessing into the floor or mounting on a timber frame
- 750mm square
- 46mm flange to all four sides
- 46mm deep
- In stock 2 to 3 working days

SH492 FLOOR STANDING SHOWER TRAY



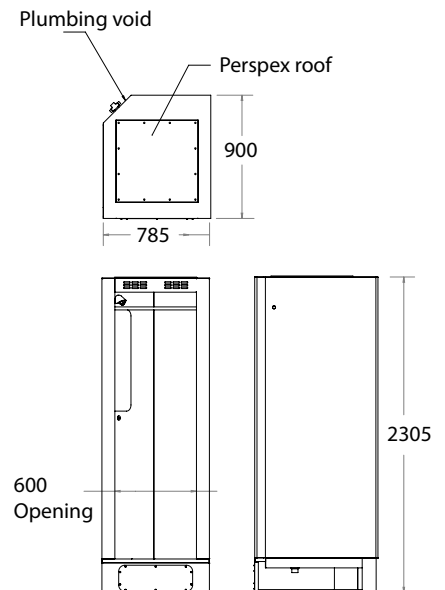
- Grade 304 stainless steel, 1.2mm thick
- 38mm flush grated waste fitting (no overflow or plug)
- Centre or corner waste position
- Designed to be installed onto the floor
- Removable front access panel
- 750mm or 900mm square
- 40mm flange to all four sides
- 200mm high from the floor
- Other sizes available
- Manufactured to order 10 to 15 working days

SH521 WALL MOUNTED SHOWER PANEL



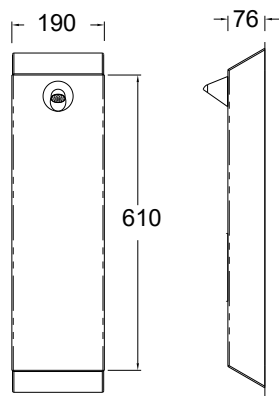
- Grade 304 stainless steel, 1.5mm thick
- Fixed vandal resistant shower head
- Press button time flow shower valve
- Adjustable run time from 2 to 60 seconds
- Top entry single water supply connection
- 15mm water connection
- Fitted with water isolating valve
- Pre-plumbed
- Easily adapted on site to suit a concealed water supply connection
- Assembled to order 2 to 3 working days

SH571 SHOWER CUBICLE



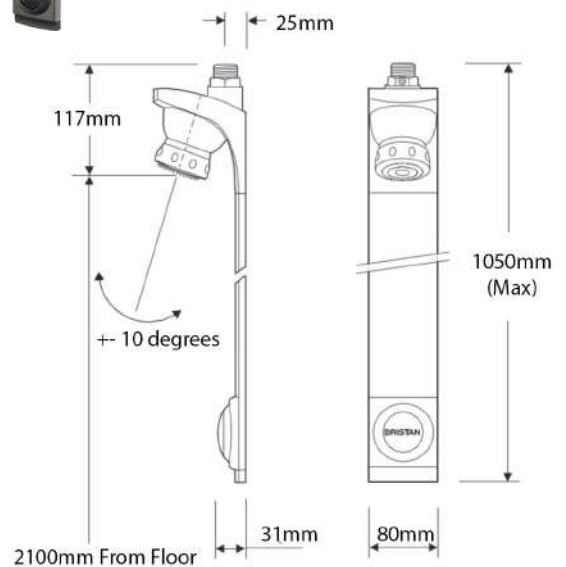
- Grade 304 stainless steel, 1.2mm thick
- Single fully welded cubicle or range of cubicles
- Vandal resistant shower head
- Press button time flow shower valve (requires pre mixed water)
- Enclosed roof - stainless steel or perspex
- Curtain rail or perspex bi-fold door
- Finished end panels for exposed ends
- Manufactured to suit site dimensions and customer specifications (sizes on drawing for ref only)
- Manufactured to order 15 to 20 working days

NO LONGER AVAILABLE



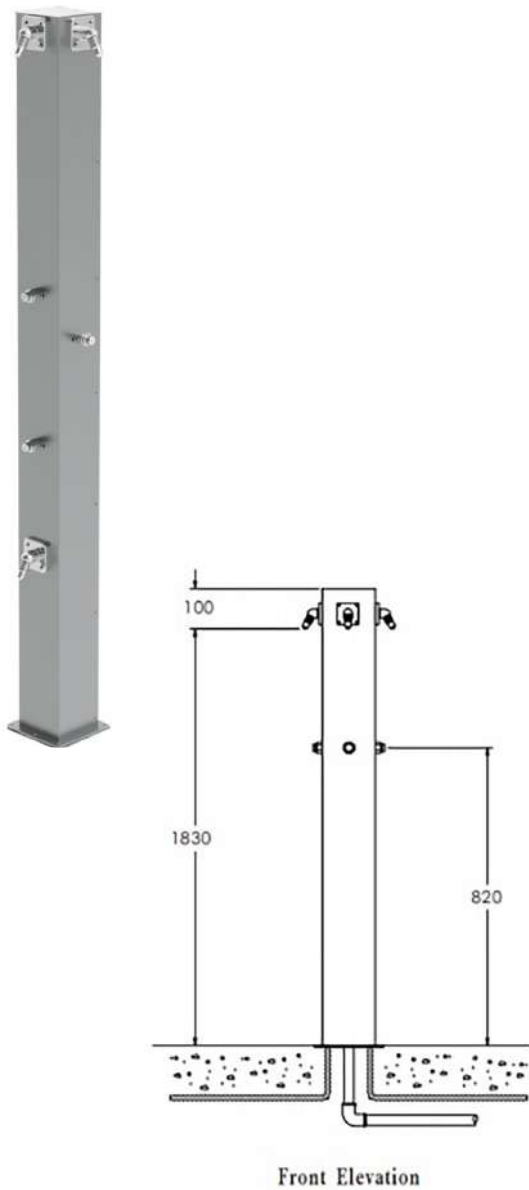
- NO LONGER AVAILABLE

SH524 SPORTS WALL MOUNTED
SHOWER PANEL



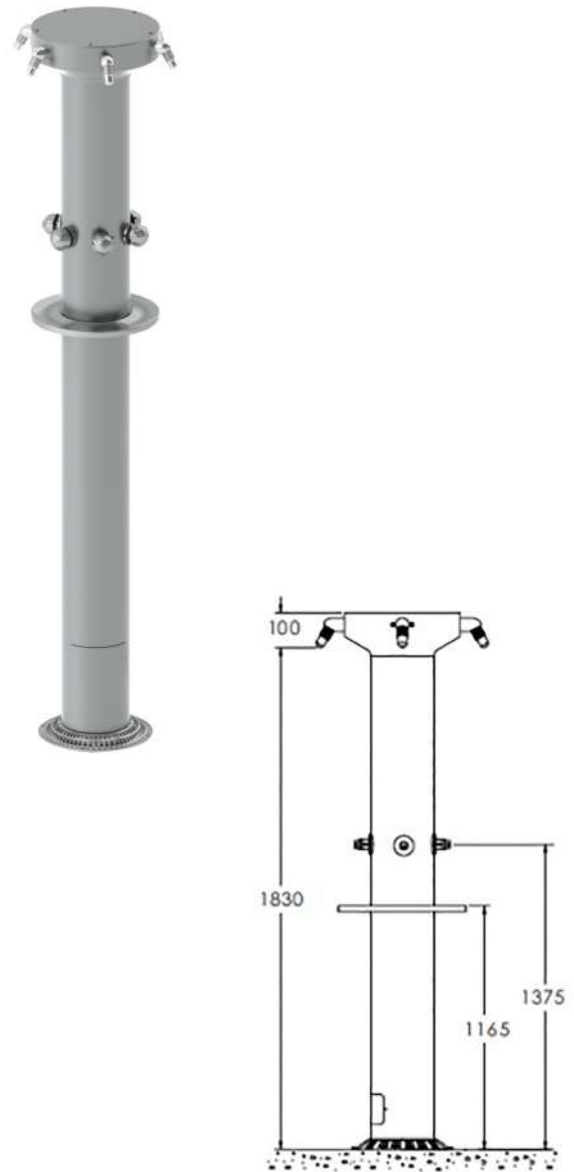
- Satin finish aluminium body
- Chrome and plastic shower head
- Chrome plated time flow shower valve
- Approximately 30 seconds run time
- Concealed wall fixing plate
- Telescopic top entry $\frac{3}{4}$ " water connection
- Pre-plumbed
- Built in isolating valve
- To order 4 to 5 working days

SH641 FREE STANDING BEACH SHOWER



- Grade 316 stainless steel, 1.6mm thick
- 1 to 4 shower heads
- Individual time flow shower valves
- Adjustable run time from 5 to 60 seconds
- Optional foot sprays with individual controls
- Floor fixing flange
- In-ground anchor plate
- Factory assembled and pre-plumbed
- Removable access panels secured with security screws
- Manufactured to order 12 to 14 working weeks

SH621 STAINLESS STEEL COLUMN SHOWER

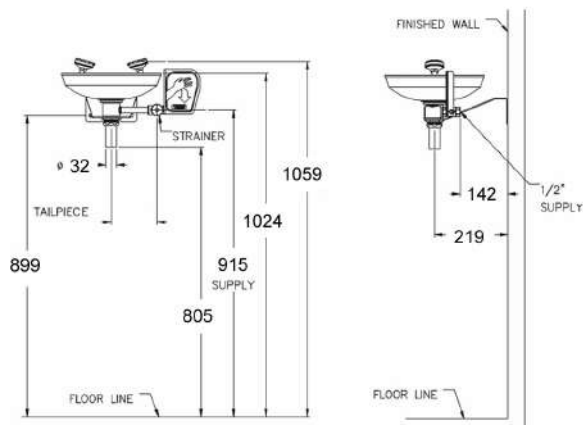


- Grade 304 stainless steel, 1.6mm thick
- 4 to 6 shower heads
- Individual time flow shower valves
- Adjustable run time from 5 to 60 seconds
- Floor fixing flange
- In-ground anchor plate
- Factory assembled and pre-plumbed
- Removable access panels secured with security screws
- Top or bottom entry water supply with optional overhead pipe shroud
- Manufactured to order 12 to 14 working weeks

SAFETY SHOWERS AND EYE WASH STATIONS

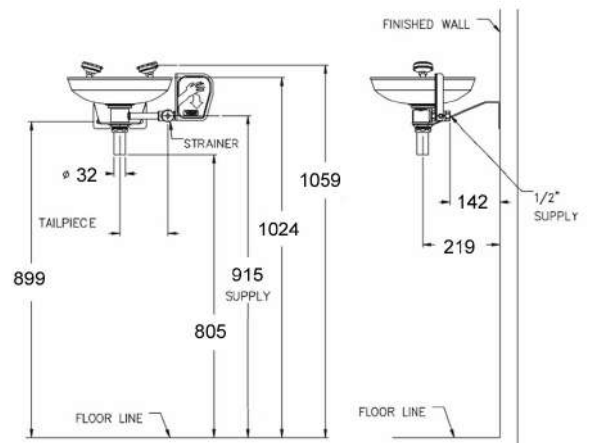
	Page
Wall Mounted Eye Wash with Plastic Bowl.....	108
Wall Mounted Eye Wash with Stainless Steel Bowl.....	108
Wall Mounted Eye Wash with Lid and Stainless Steel Bowl.....	109
All Stainless Steel Wall Mounted Eye Wash.....	109
Free Standing Eye Wash with Plastic Bowl	110
Free Standing Eye Wash with Foot Control and Plastic Bowl.....	110
Free Standing Eye Wash with Stainless Steel Bowl	111
Free Standing Eye Wash with Foot Control and Stainless Steel Bowl.....	111
Free Standing Eye Wash with Lid and Stainless Steel Bowl.....	112
Free Standing Eye Wash with Foot Control, Lid and Stainless Steel Bowl.....	112
Wall Mounted Drench and Eye Wash Hose	113
Portable Eye Wash Unit	113
Ceiling Mounted Safety Shower with Plastic Head.....	114
Ceiling Mounted Safety Shower with Stainless Steel Head.....	114
Wall Mounted Safety Shower with Plastic Head.....	115
Wall Mounted Safety Shower with Stainless Steel Head.....	115
All Stainless Steel Wall Mounted Safety Shower	116
Free Standing Safety Shower with Plastic Head	116
Free Standing Safety Shower with Stainless Steel Head	117
All Stainless Free Standing Safety Shower	117
Combined Safety Shower and Eye Wash with Plastic Head and Bowl.....	118
Combined Safety Shower and Eye Wash with Stainless Steel Head and Bowl.....	118
All Stainless Steel Combined Safety Shower and Eye Wash.....	119
Safety Shower Test Kit	119

S0420 WALL MOUNTED EYE WASH WITH PLASTIC BOWL



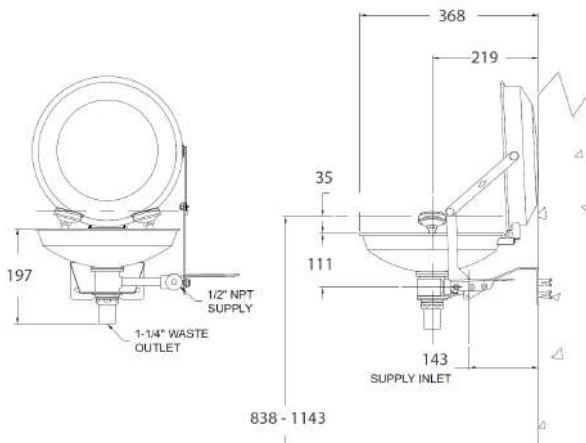
- ABS yellow plastic bowl, 300mm diameter
- ABS yellow plastic eye wash spray heads with flip open dust covers
- 1/2" chrome plated brass stay open ball valve with stainless steel push handle
- Yellow coated 3mm galvanised steel wall bracket
- 32mm waste fitting
- BSP adaptors are supplied for all NPT pipe connections
- Internal filters and flow controls
- Flow rate 23.47 litres per minute
- ANSI Z358.1 compliant, includes safety sign and weekly test card
- In stock 1 to 2 working days

S0440 WALL MOUNTED EYE WASH WITH STAINLESS STEEL BOWL



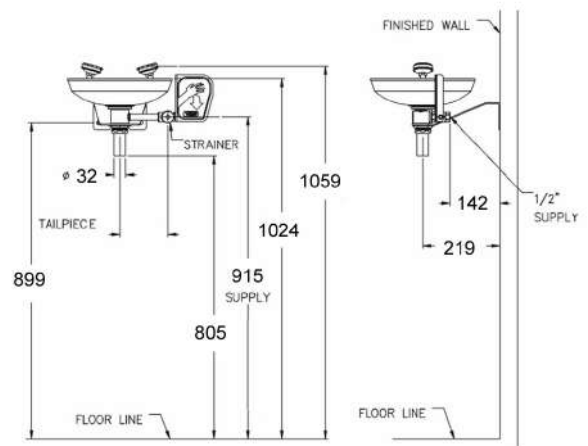
- Grade 304 stainless steel bowl, 300mm diameter
- ABS yellow plastic eye wash spray heads with flip open dust covers
- 1/2" chrome plated brass stay open ball valve with stainless steel push handle
- Yellow coated 3mm galvanised steel wall bracket
- 32mm waste fitting
- BSP adaptors are supplied for all NPT pipe connections
- Internal filters and flow controls
- Flow rate 23.47 litres per minute
- ANSI Z358.1 compliant, includes safety sign and weekly test card
- In stock 1 to 2 working days

S0440-CS1 WALL MOUNTED EYE WASH WITH STAINLESS STEEL BOWL AND LID



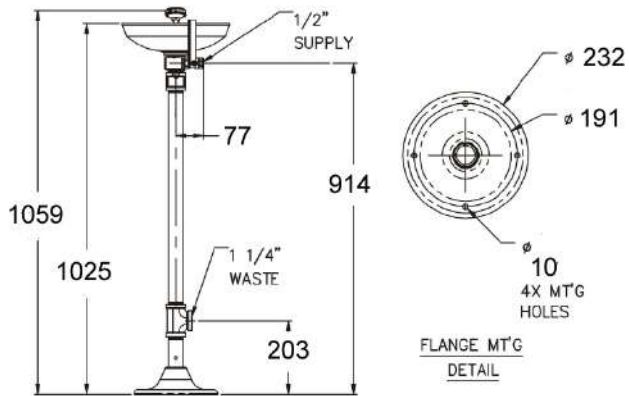
- Grade 304 stainless steel bowl, 300mm diameter
- Grade 304 stainless steel flip open clamshell cover/lid operated by the push handle
- ABS yellow plastic eye wash spray heads with flip open dust covers
- ½" chrome plated brass stay open ball valve with stainless steel push handle
- Yellow coated 3mm galvanised steel wall bracket
- 32mm waste fitting
- BSP adaptors are supplied for all NPT pipe connections
- Internal filters and flow controls and flow rate 23.47 litres per minute
- ANSI Z358.1 compliant, includes safety sign and weekly test card
- In stock 1 to 2 working days

S0440-AS ALL STAINLESS STEEL WALL MOUNTED EYE WASH



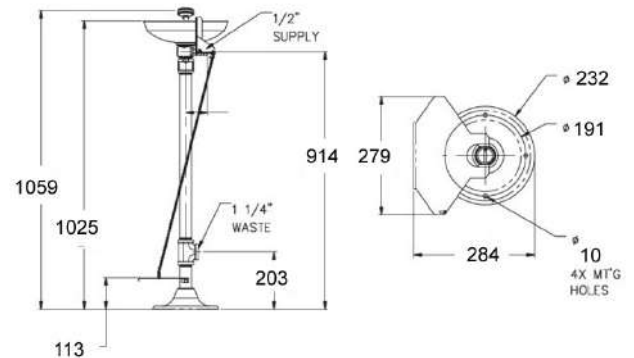
- Grade 304 stainless steel bowl, 300mm diameter
- ABS yellow plastic eye wash spray heads with flip open dust covers
- ½" stainless steel stay open ball valve with stainless steel push handle
- Grade 304 stainless steel wall bracket
- 32mm waste fitting
- BSP adaptors are supplied for all NPT pipe connections
- Internal filters and flow controls
- Flow rate 23.47 litres per minute
- ANSI Z358.1 compliant, includes safety sign and weekly test card
- In stock 1 to 2 working days

S0320 FREE STANDING EYE WASH WITH PLASTIC BOWL



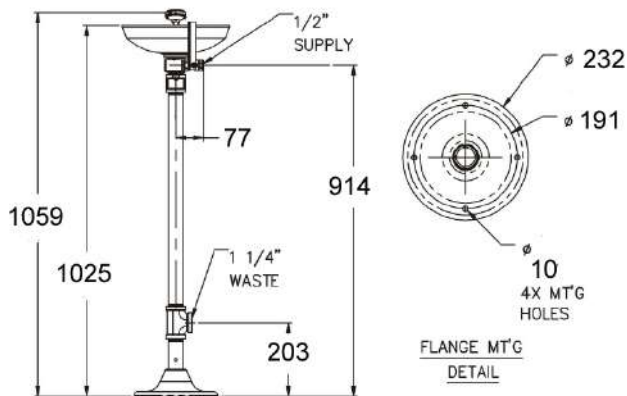
- ABS yellow plastic bowl, 300mm diameter
- ABS yellow plastic eye wash spray heads with flip open dust covers
- 1/2" chrome plated brass stay open ball valve with stainless steel push handle
- Yellow coated galvanised steel pedestal and cast iron floor flange
- 32mm waste fitting
- BSP adaptors are supplied for all NPT pipe connections
- Internal filters and flow controls
- Flow rate 23.47 litres per minute
- ANSI Z358.1 compliant, includes safety sign and weekly test card
- In stock 1 to 2 working days

S0320-HFC FREE STANDING EYE WASH WITH FOOT CONTROL AND PLASTIC BOWL



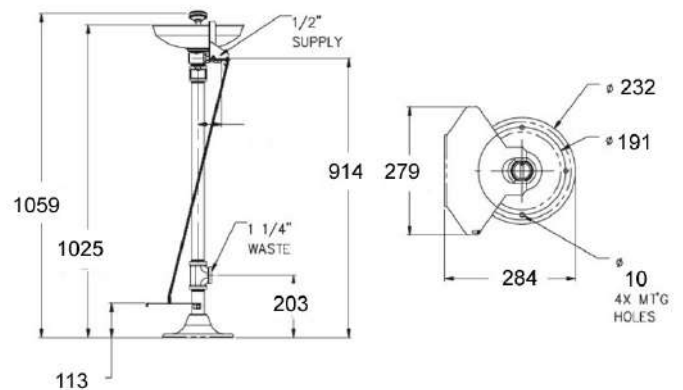
- ABS yellow plastic bowl, 300mm diameter
- ABS yellow plastic eye wash spray heads with flip open dust covers
- 1/2" chrome plated brass stay open ball valve with stainless steel push handle and foot pedal
- Yellow coated galvanised steel pedestal and cast iron floor flange
- 32mm waste fitting
- BSP adaptors are supplied for all NPT pipe connections
- Internal filters and flow controls
- Flow rate 23.47 litres per minute
- ANSI Z358.1 compliant, includes safety sign and weekly test card
- In stock 1 to 2 working days

S0340 FREE STANDING EYE WASH WITH STAINLESS STEEL BOWL



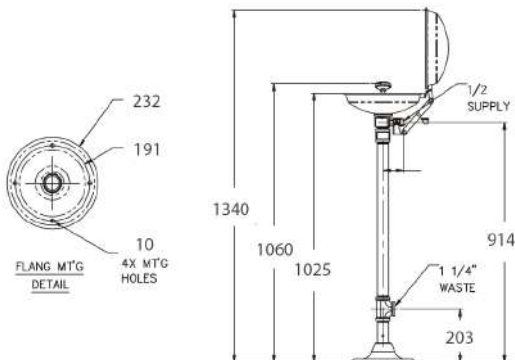
- Grade 304 stainless steel bowl, 300mm diameter
- ABS yellow plastic eye wash spray heads with flip open dust covers
- 1/2" chrome plated brass stay open ball valve with stainless steel push handle
- Yellow coated galvanised steel pedestal and cast iron floor flange
- 32mm waste fitting
- BSP adaptors are supplied for all NPT pipe connections
- Internal filters and flow controls
- Flow rate 23.47 litres per minute
- ANSI Z358.1 compliant, includes safety sign and weekly test card
- In stock 1 to 2 working days

S0340-HFC FREE STANDING EYE WASH WITH FOOT CONTROL AND STAINLESS STEEL BOWL



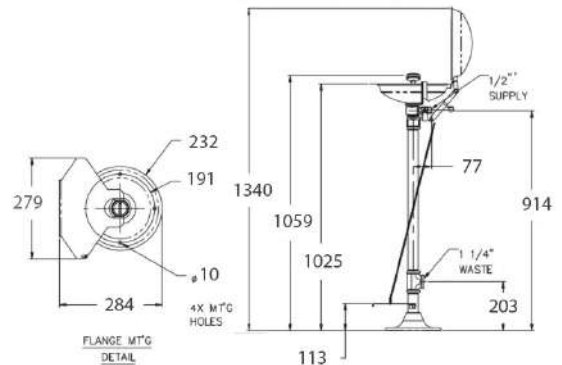
- Grade 304 stainless steel bowl, 300mm diameter
- ABS yellow plastic eye wash spray heads with flip open dust covers
- 1/2" chrome plated brass stay open ball valve with stainless steel push handle and foot pedal
- Yellow coated galvanised steel pedestal and cast iron floor flange
- 32mm waste fitting
- BSP adaptors are supplied for all NPT pipe connections
- Internal filters and flow controls
- Flow rate 23.47 litres per minute
- ANSI Z358.1 compliant, includes safety sign and weekly test card
- In stock 1 to 2 working days

S0340-CS1 FREE STANDING EYE WASH WITH LID AND STAINLESS STEEL BOWL



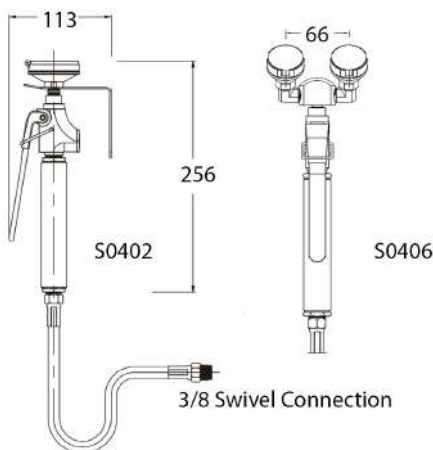
- Grade 304 stainless steel bowl, 300mm diameter
- Grade 304 stainless steel flip open clamshell cover/lid operated by the push handle
- ABS yellow plastic eye wash spray heads with flip open dust covers
- 1/2" chrome plated brass stay open ball valve with stainless steel push handle
- Yellow coated galvanised steel pedestal and cast iron floor flange
- 32mm waste fitting
- BSP adaptors are supplied for all NPT pipe connections
- Internal filters and flow controls and flow rate 23.47 litres per minute
- ANSI Z358.1 compliant, includes safety sign and weekly test card
- In stock 1 to 2 working days

S0340-CS1-HFC FREE STANDING EYE WASH WITH FOOT CONTROL, LID AND STAINLESS STEEL BOWL



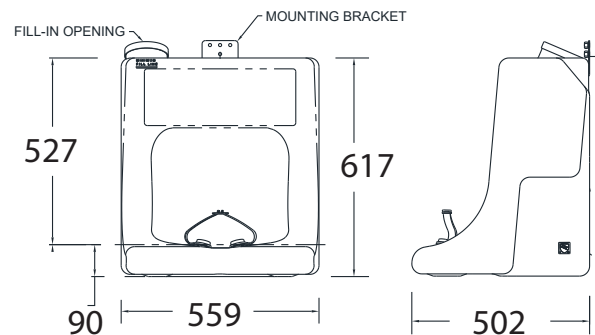
- Grade 304 stainless steel bowl, 300mm diameter
- Grade 304 stainless steel flip open clamshell cover/lid operated by the push handle and foot pedal
- ABS yellow plastic eye wash spray heads with flip open dust covers
- 1/2" chrome plated brass stay open ball valve with stainless steel push handle and foot pedal
- Yellow coated galvanised steel pedestal and cast iron floor flange
- 32mm waste fitting
- BSP adaptors are supplied for all NPT pipe connections
- Internal filters and flow controls and flow rate 23.47 litres per minute
- ANSI Z358.1 compliant, includes safety sign and weekly test card
- In stock 1 to 2 working days

S0402/6 WALL MOUNTED DRENCH AND EYE WASH HOSE



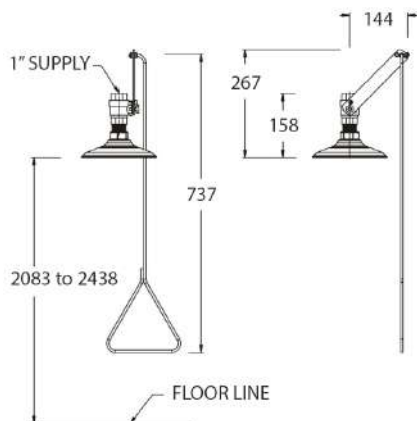
- ABS yellow plastic eye wash spray heads with flip open dust covers
- Chrome plated brass stay open valve with locking clip and stainless steel squeeze lever
- Yellow coated galvanised steel wall bracket
- Yellow PVC hose, 2438mm long with max working pressure of 300 psi
- Internal filters and flow controls
- Flow rate 11.73 litres per minute
- ANSI Z358.1 compliant, includes safety sign and weekly test card
- S0402 with one head, model S0406 with twin heads
- In stock 1 to 2 working days

S0P50 PORTABLE EYE WASH UNIT



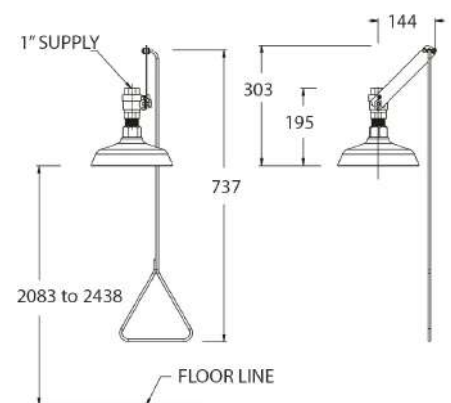
- High visibility yellow polyethylene construction
- ABS yellow plastic eye wash spray heads with pull off dust covers to operate
- 68 litre (18 gallon) water tank
- Flow rate 1.5 litres per minute to comply with ANSI Z358.1
- Supplies a full 15 minute eye wash capability
- Can be wall mounted or placed on a flat surface
- Stainless steel wall bracket
- ANSI Z358.1 compliant, includes safety sign and weekly test card
- Requires water preservative for long term use
- In stock 1 to 2 working days

S1100 CEILING MOUNTED SAFETY SHOWER WITH PLASTIC HEAD



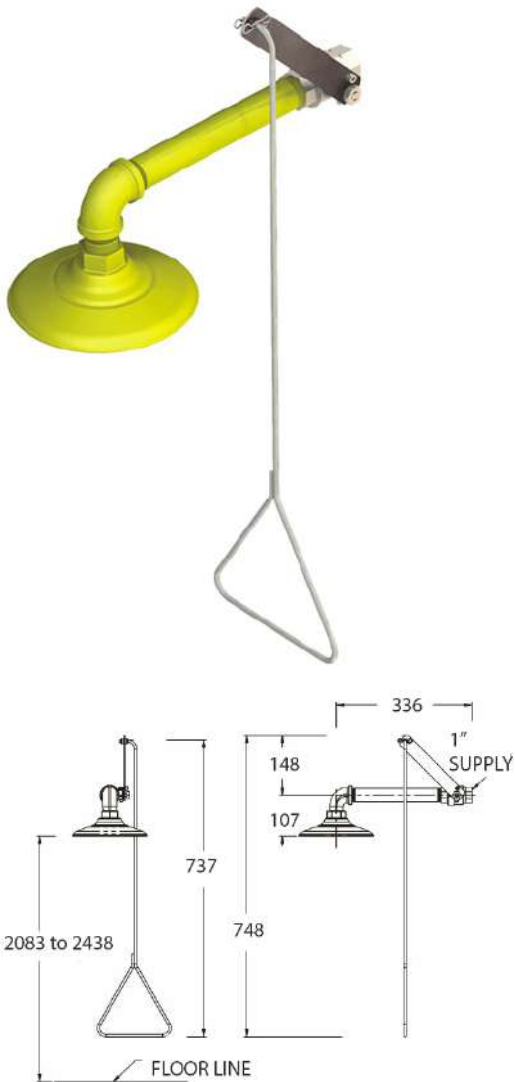
- ABS yellow plastic shower head, 190mm diameter
- Grade 304 stainless steel pull handle and activation lever
- 1" chrome plated brass stay open shower ball valve
- BSP adaptors are supplied for all NPT pipe connections
- Vertically mounted
- Flow rate 75.70 litres per minute
- ANSI Z358.1 compliant, includes safety sign and weekly test card
- Optional shower test kit
- In stock 1 to 2 working days

S2100 CEILING MOUNTED SAFETY SHOWER WITH STAINLESS STEEL HEAD



- Grade 304 stainless steel shower head, 200mm diameter
- Grade 304 stainless steel pull handle and activation lever
- 1" chrome plated brass stay open shower ball valve
- BSP adaptors are supplied for all NPT pipe connections
- Vertically mounted
- Flow rate 75.70 litres per minute
- ANSI Z358.1 compliant, includes safety sign and weekly test card
- Optional shower test kit
- In stock 1 to 2 working days

S1200 WALL MOUNTED SAFETY SHOWER WITH PLASTIC HEAD



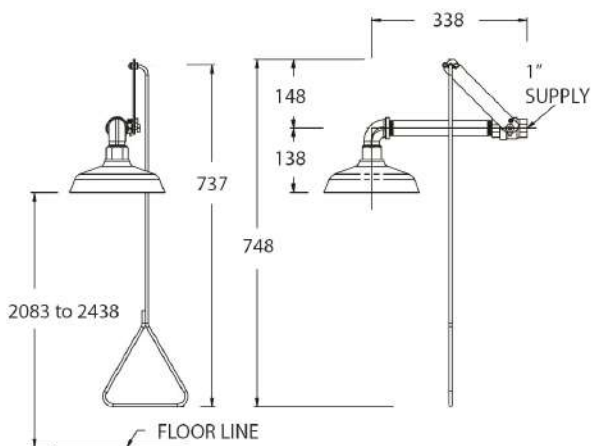
- ABS yellow plastic shower head, 190mm diameter
- Grade 304 stainless steel pull handle and activation lever
- Yellow coated galvanised steel pipework
- 1" chrome plated brass stay open shower ball valve
- BSP adaptors are supplied for all NPT pipe connections
- Horizontally mounted
- Flow rate 75.70 litres per minute
- ANSI Z358.1 compliant, includes safety sign and weekly test card
- Optional shower test kit
- In stock 1 to 2 working days

S2200 WALL MOUNTED SAFETY SHOWER WITH STAINLESS STEEL HEAD



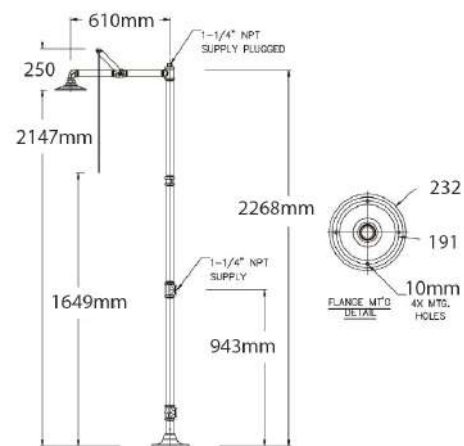
- Grade 304 stainless steel shower head, 200mm diameter
- Grade 304 stainless steel pull handle and activation lever
- Yellow coated galvanised steel pipework
- 1" chrome plated brass stay open shower ball valve
- BSP adaptors are supplied for all NPT pipe connections
- Horizontally mounted
- Flow rate 75.70 litres per minute
- ANSI Z358.1 compliant, includes safety sign and weekly test card
- Optional shower test kit
- In stock 1 to 2 working days

S2200-AS ALL STAINLESS STEEL WALL MOUNTED SAFETY SHOWER



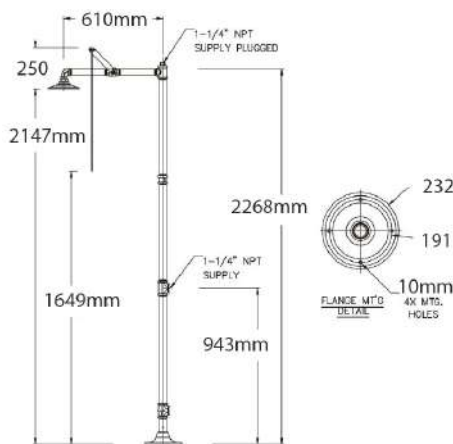
- Grade 304 stainless steel shower head, 200mm diameter
- Grade 304 stainless steel pull handle and activation lever
- Grade 304 stainless steel pipework
- 1" stainless steel stay open shower ball valve
- BSP adaptors are supplied for all NPT pipe connections
- Horizontally mounted
- Flow rate 75.70 litres per minute
- ANSI Z358.1 compliant, includes safety sign and weekly test card
- Optional shower test kit
- In stock 1 to 2 working days

S1300 FREE STANDING SAFETY SHOWER WITH PLASTIC HEAD



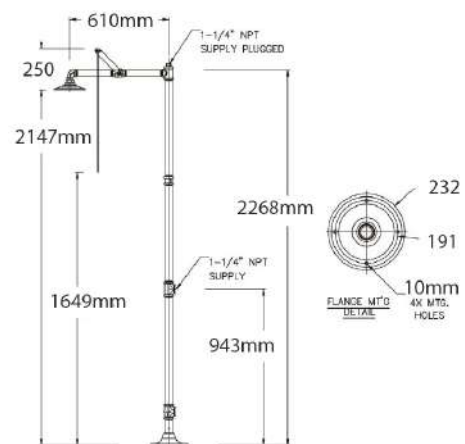
- ABS yellow plastic shower head, 190mm diameter
- Grade 304 stainless steel pull handle and activation lever
- Yellow coated galvanized steel pipework
- Yellow coated cast iron floor flange
- 1" chrome plated brass stay open shower ball valve
- BSP adaptors are supplied for all NPT pipe connections
- Flow rate 75.70 litres per minute
- ANSI Z358.1 compliant, includes safety sign and weekly test card
- Optional shower test kit
- In stock 1 to 2 working days

S2300 FREE STANDING SAFETY SHOWER WITH STAINLESS STEEL HEAD



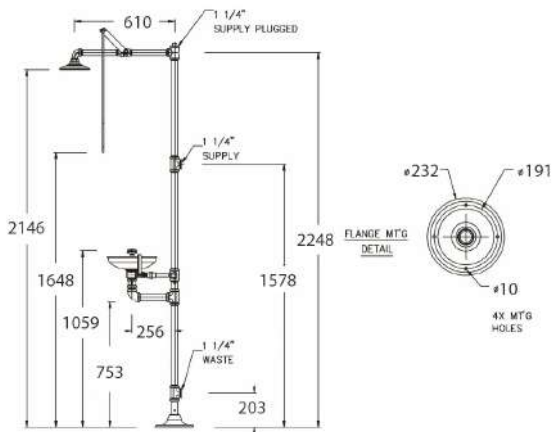
- Grade 304 stainless steel shower head, 200mm diameter
- Grade 304 stainless steel pull handle and activation lever
- Yellow coated galvanised steel pipework
- Yellow coated cast iron floor flange
- 1" chrome plated brass stay open shower ball valve
- BSP adaptors are supplied for all NPT pipe connections
- Flow rate 75.70 litres per minute
- ANSI Z358.1 compliant, includes safety sign and weekly test card
- Optional shower test kit
- In stock 1 to 2 working days

S2300-AS ALL STAINLESS STEEL FREE STANDING SAFETY SHOWER



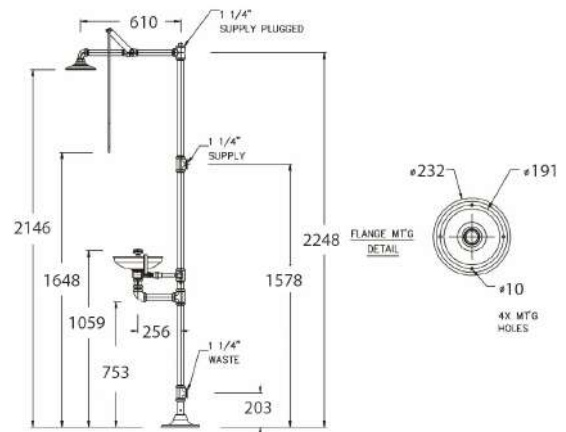
- Grade 304 stainless steel shower head, 200mm diameter
- Grade 304 stainless steel pull handle and activation lever
- Grade 304 stainless steel pipework
- Grade 304 stainless steel floor flange
- 1" stainless steel stay open shower ball valve
- BSP adaptors are supplied for all NPT pipe connections
- Flow rate 75.70 litres per minute
- ANSI Z358.1 compliant, includes safety sign and weekly test card
- Optional shower test kit
- In stock 1 to 2 working days

S1320 COMBINED SAFETY SHOWER AND EYE WASH WITH PLASTIC HEAD AND BOWL



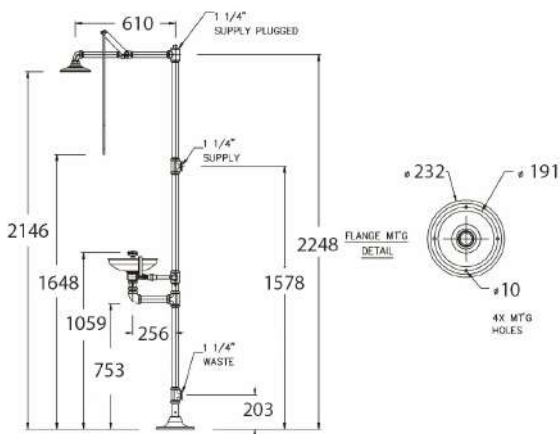
- ABS yellow plastic shower head, 190mm diameter
- ABS yellow plastic eye wash bowl, 300mm diameter
- ABS yellow plastic eye wash heads, flip open dust covers, internal filters and flow controls
- Yellow coated galvanised steel pipework and cast iron floor flange
- 1" chrome plated brass stay open ball valve with stainless steel pull handle and activation lever
- 1/2" chrome plated brass stay open ball valve with stainless steel push handle
- 32mm waste fitting and flow rate 90 litres per minute
- BSP adaptors are supplied for all NPT pipe connections
- ANSI Z358.1 compliant, includes safety sign and weekly test card
- In stock 1 to 2 working days

S2340 COMBINED SAFETY SHOWER AND EYE WASH WITH STAINLESS STEEL HEAD AND BOWL



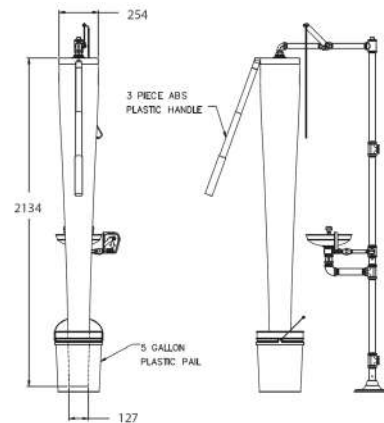
- Grade 304 stainless steel shower head, 200mm diameter
- Grade 304 stainless steel eye wash bowl, 300mm diameter
- ABS yellow plastic eye wash heads, flip open dust covers, internal filters and flow controls
- Yellow coated galvanised steel pipework and cast iron floor flange
- 1" chrome plated brass stay open ball valve with stainless steel pull handle and activation lever
- 1/2" chrome plated brass stay open ball valve with stainless steel push handle
- 32mm waste fitting and flow rate 90 litres per minute
- BSP adaptors are supplied for all NPT pipe connections
- ANSI Z358.1 compliant, includes safety sign and weekly test card
- In stock 1 to 2 working days

S2340-AS ALL STAINLESS STEEL COMBINED SAFETY SHOWER AND EYE WASH



- Grade 304 stainless steel shower head, 200mm diameter
- Grade 304 stainless steel eye wash bowl, 300mm diameter
- ABS yellow plastic eye wash heads, flip open dust covers, internal filters and flow controls
- Grade 304 stainless steel pipework and floor flange
- 1" stainless steel stay open ball valve with stainless steel pull handle and activation lever
- 1/2" stainless steel stay open ball valve with stainless steel push handle
- 32mm waste fitting and flow rate 90 litres per minute
- BSP adaptors are supplied for all NPT pipe connections
- ANSI Z358.1 compliant, includes safety sign and weekly test card
- In stock 1 to 2 working days

S0000-STK SAFETY SHOWER TEST KIT

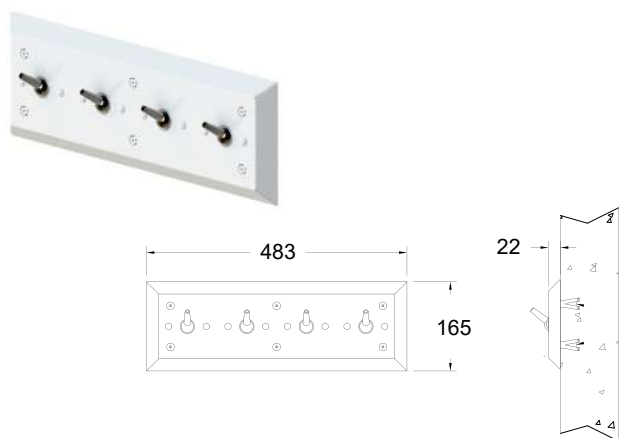


- Helps to prevent spillage and flooding when testing safety showers
- Many safety shower installations do not include drainage
- Yellow plastic 5 gallon bucket
- Waterproof test chute
- Long handle with test chute curtain ring
- Suitable for showers with a shower head diameter of 254mm and below
- All safety showers need testing to comply with regulations and standards
- Safety showers and eye wash units should be operated on a weekly basis
- In stock 1 to 2 working days

LIGATURE RESISTANT PRODUCTS

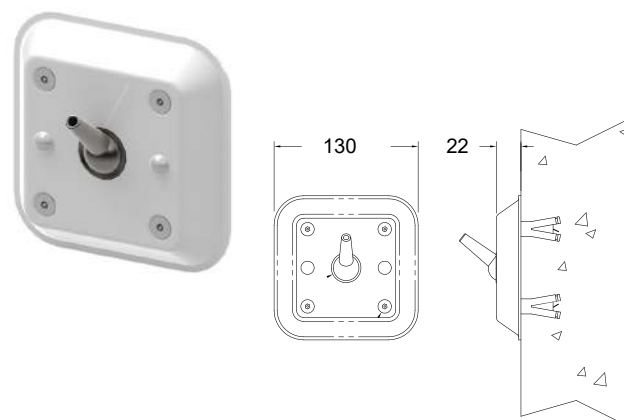
	Page
4 Hook Clothes Hook	121
Single Clothes Hook	121
Surface Mounted Toilet Roll Holder.....	121
Semi Recessed Toilet Roll Holder.....	121
Surface Mounted Paper Towel Roll Holder	122
Recessed Paper Towel Roll Holder	122
Surface Mounted Paper Towel Holder	122
Shelf with Four Coat Hooks.....	122
Recessed Shelf	123
Shower Caddy	123
Vanity Cabinet	123
Grab Rails	123
Solid Surface Toilet.....	124
Solid Surface Wash Basin	124
Solid Surface Mirror.....	124
Solid Surface Shelf.....	124
Round Floor Drains	125
Square Floor Drains.....	125
Linear Floor Drains	125
Recessed Soap Dish	125
Surface Mounted Fire Extinguisher Cabinet.....	126
Recessed Fire Extinguisher Cabinet.....	126
Access Panel Doors.....	126
Semi Recessed Bottle Filler.....	126

WH1828A-SLPT LIGATURE RESISTANT CLOTHES HOOK WITH 4 HOOKS



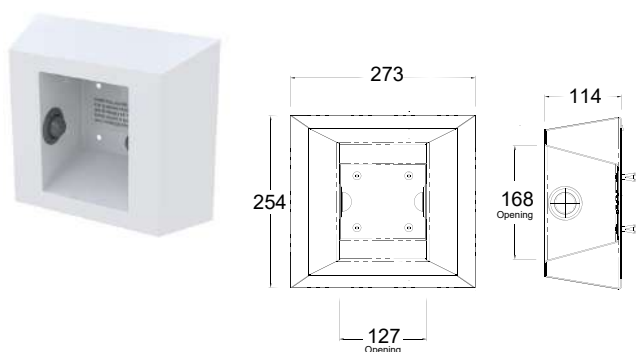
- Grade 304 stainless steel, 2mm thick
- White powder coated finish
- Four stainless steel hooks with auto release
- Adjustable release ranges from 0 to 11.34kgs
- Self-adjustment with supplied allen key
- Surface mounted with supplied tamper resistant screws
- In stock 1 to 2 working days

WH1830A-SLPT LIGATURE RESISTANT SINGLE CLOTHES HOOK



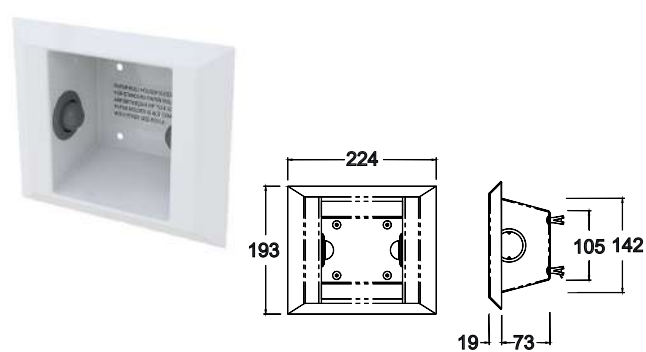
- Grade 304 stainless steel, 2mm thick
- White powder coated finish
- Single stainless steel hook with auto release
- Adjustable release range from 0 to 11.34kgs
- Self-adjustment with supplied allen key
- Surface mounted with supplied tamper resistant screws
- In stock 1 to 2 working days

WH1847B LIGATURE RESISTANT SURFACE MOUNTED TOILET ROLL HOLDER



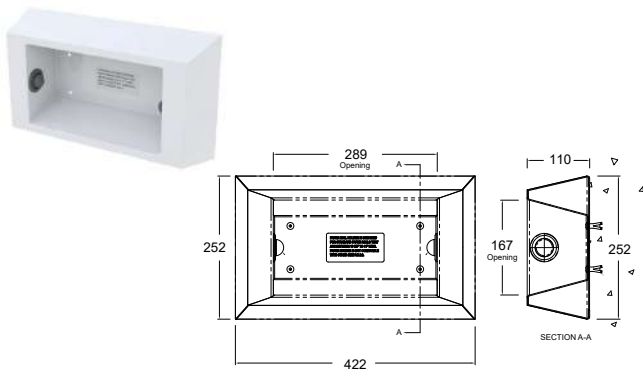
- Grade 304 stainless steel, 1.6mm thick
- White powder coated finish
- Holds single toilet roll typically 102mm to 114mm wide
- Spring loaded spindle buttons hold the toilet roll in place
- Bevelled edges to provide tight fit to wall
- Surface mounted with supplied tamper resistant screws
- In stock 1 to 2 working days

WH1845B LIGATURE RESISTANT SEMI RECESSED TOILET ROLL HOLDER



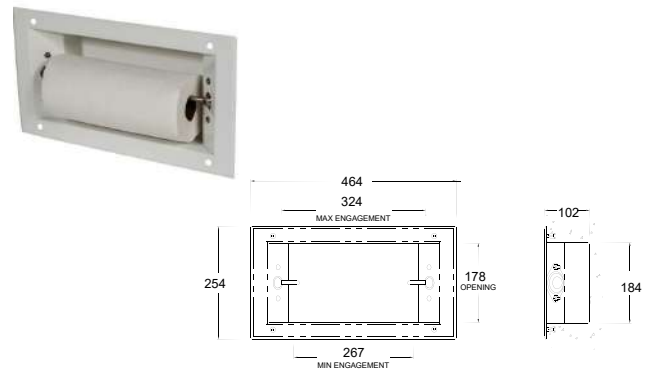
- Grade 304 stainless steel, 1.6mm thick
- White powder coated finish
- Holds single toilet roll typically 102mm to 114mm wide
- Spring loaded spindle buttons hold the toilet roll in place
- Bevelled edges to provide tight fit to wall
- Semi recess mounted with supplied tamper resistant screws
- In stock 1 to 2 working days

NO LONGER AVAILABLE



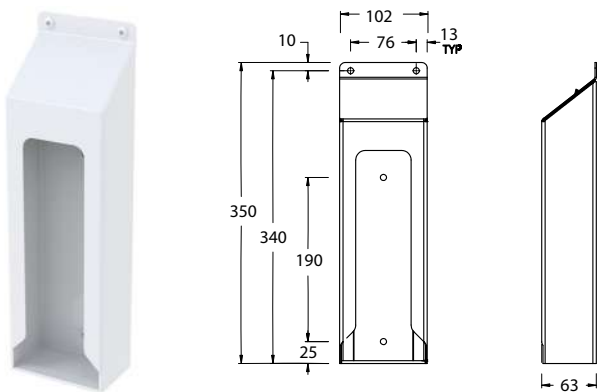
- NO LONGER AVAILABLE

NO LONGER AVAILABLE



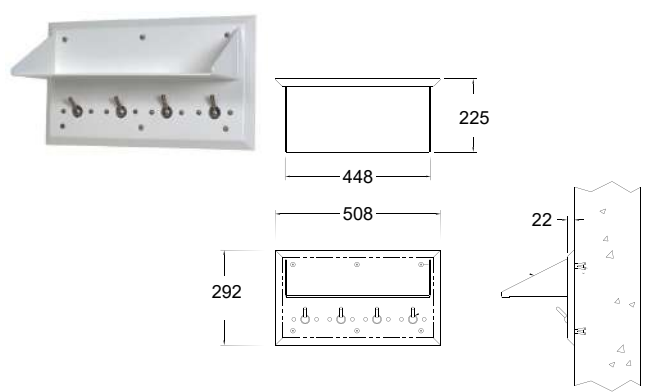
- NO LONGER AVAILABLE

WH1181-1 LIGATURE RESISTANT SURFACE MOUNTED PAPER TOWEL HOLDER



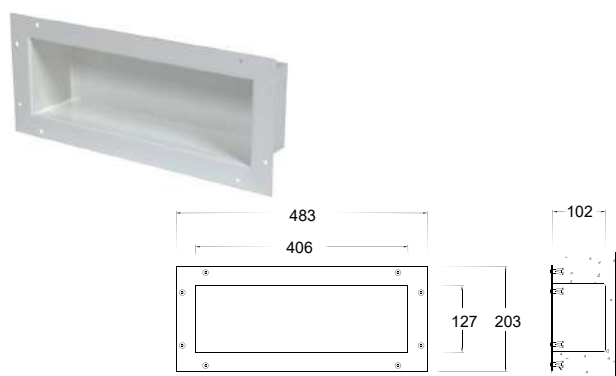
- Grade 304 stainless steel, 1.6mm thick
- White powder coated finish
- Surface mounted paper towel holder
- No mechanism prevents tampering
- Bevelled edges to provide tight fit to wall
- Surface mounted with front fixing holes
- In stock 1 to 2 working days

WH1824-SLPT LIGATURE RESISTANT SHELF WITH FOUR COAT HOOKS



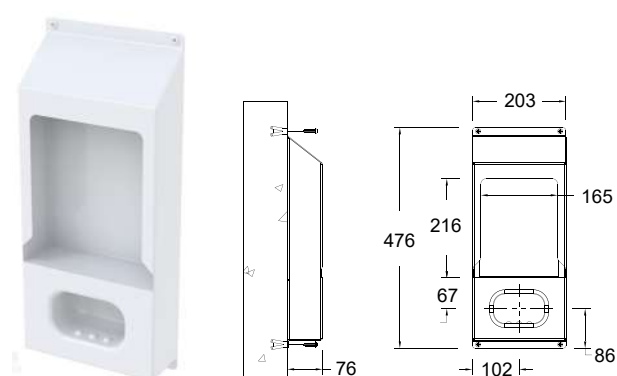
- Grade 304 stainless steel, 2mm thick shelf
- White powder coated finish
- Four stainless steel hooks with auto release
- Tested to hold 9kg and release at 18kg and above
- Self-adjustment with supplied allen key
- Surface mounted with supplied tamper resistant screws
- In stock 1 to 2 working days

WH1820FA LIGATURE RESISTANT RECESSED SHELF



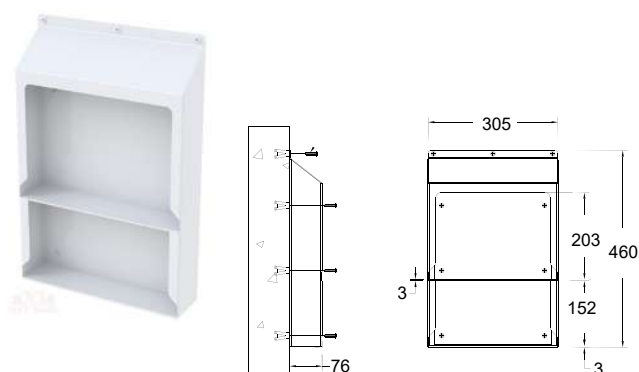
- Grade 304 stainless steel, 1.6mm thick
- White powder coated finish
- To hold items normally used in conjunction with a wash basin
- 38mm flange with mounting holes
- 406mm long x 102mm deep shelf
- Recess mounted with supplied tamper resistant screws
- In stock 1 to 2 working days

WH1183 LIGATURE RESISTANT SHOWER CADDY



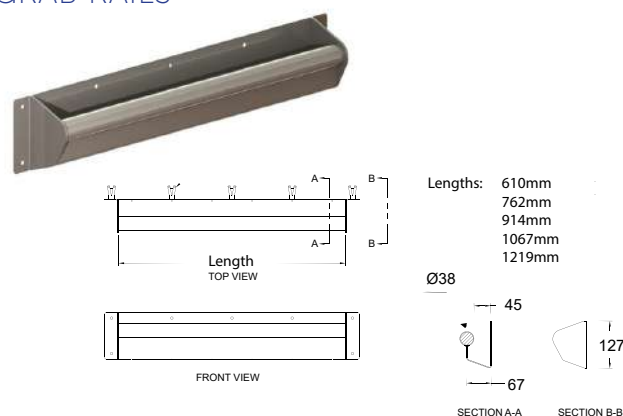
- Grade 304 stainless steel, 1.6mm thick
- White powder coated finish
- Surface mounted
- Combined soap dish and shower shelf
- Flanges with fixing holes
- Surface mounted with supplied tamper resistant screws
- In stock 1 to 2 working days

WH1182 LIGATURE RESISTANT VANITY CABINET



- Grade 304 stainless steel, 1.6mm thick
- White powder coated finish
- Surface mounted
- Bathroom vanity cabinet with two shelves
- Flanges with fixing holes
- Surface mounted with supplied tamper resistant screws
- In stock 1 to 2 working days

WH1140 LIGATURE RESISTANT GRAB RAILS



- Grade 304 stainless steel, 1.6mm thick
- Surface mounted
- 38mm tubing with V shaped enclosure strip
- Drainage hole in bottom weld to prevent pooling of water
- Flanges with fixing holes
- Lengths: 450mm | 610mm | 762mm | 915mm | 1220mm
- In stock 1 to 2 working days

LA1102 LIGATURE RESISTANT SOLID SURFACE TOILET



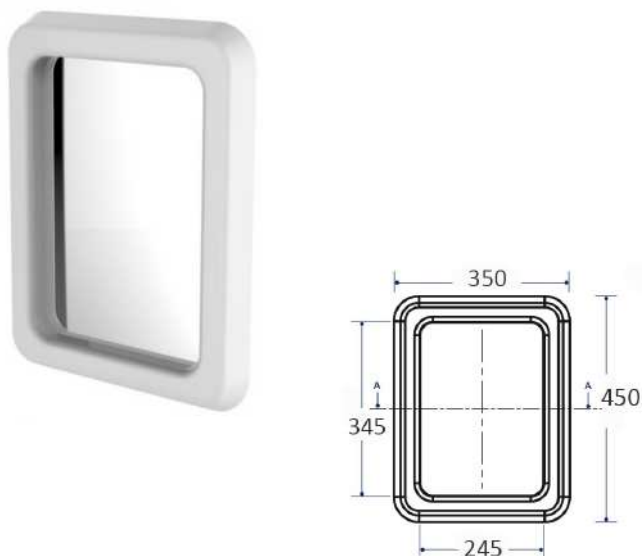
- Solid surface heavy duty polymer resin material
- Back to wall toilet with horizontal outlet
- 38mm flush pipe connection
- White coloured finish
- Through wall fixing bolts
- Optional blue coloured toilet seat area
- To order 3 to 4 working weeks

LA1246 LIGATURE RESISTANT SOLID SURFACE WASH BASIN



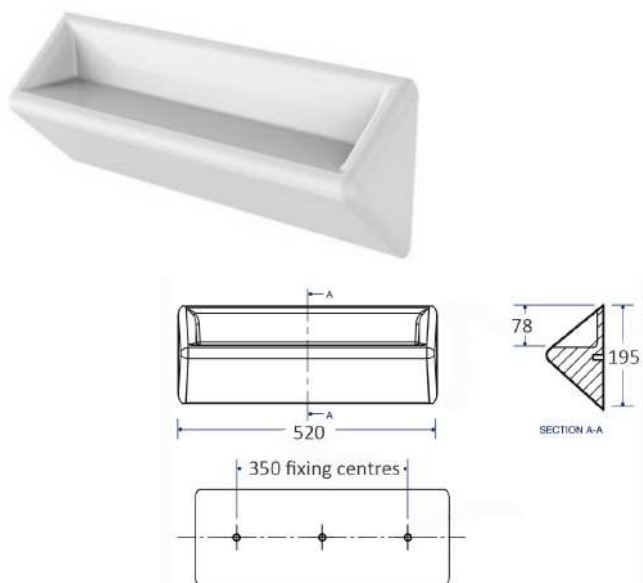
- Solid surface heavy duty polymer resin material
- Wall mounted basin with white coloured finish
- 40mm through wall waste pipe
- Suitable for infrared or pneumatic water controls
- Through wall fixing bolts
- To order 3 to 4 working weeks

LA1754 LIGATURE RESISTANT SOLID SURFACE MIRROR



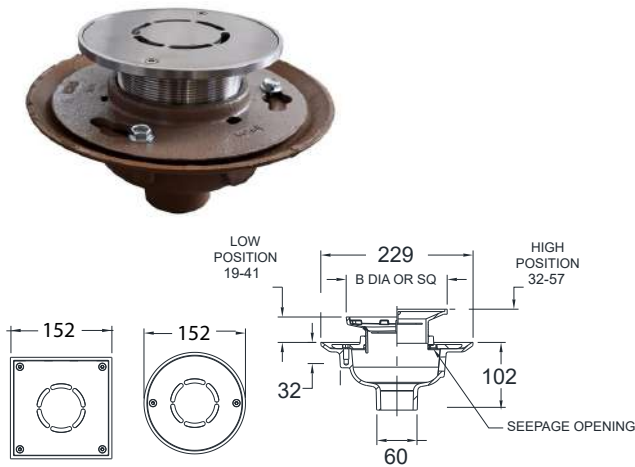
- Solid surface heavy duty polymer resin material
- Wall mounted mirror with white coloured finish
- Through wall fixing bolts
- To order 3 to 4 working weeks

LA1784 LIGATURE RESISTANT SOLID SURFACE SHELF



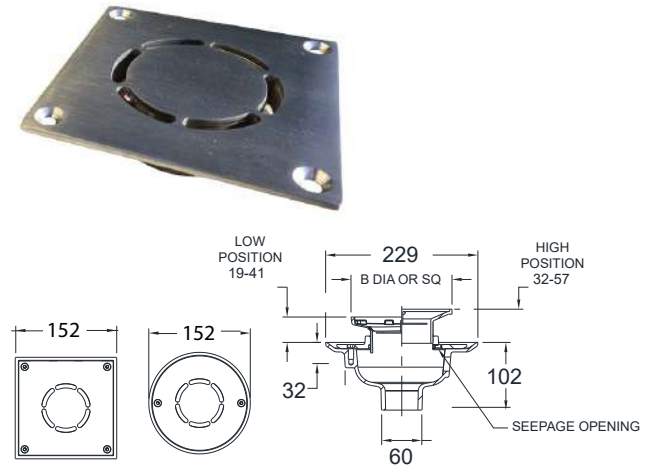
- Solid surface heavy duty polymer resin material
- Wall mounted shelf with white coloured finish
- Through wall fixing bolts
- To order 3 to 4 working weeks

WHFD-6RD-2NH LIGATURE RESISTANT ROUND FLOOR DRAIN



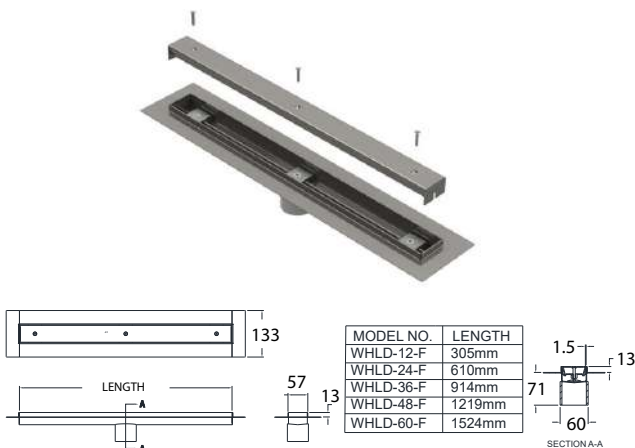
- Stainless steel round ligature resistant floor drain
- 6" round strainer
- Internal gusset system helps prevent ligature points
- Cast iron body
- 2" outlet
- In stock 1 to 2 working days

WHFD-6SQ-2NH LIGATURE RESISTANT SQUARE FLOOR DRAIN



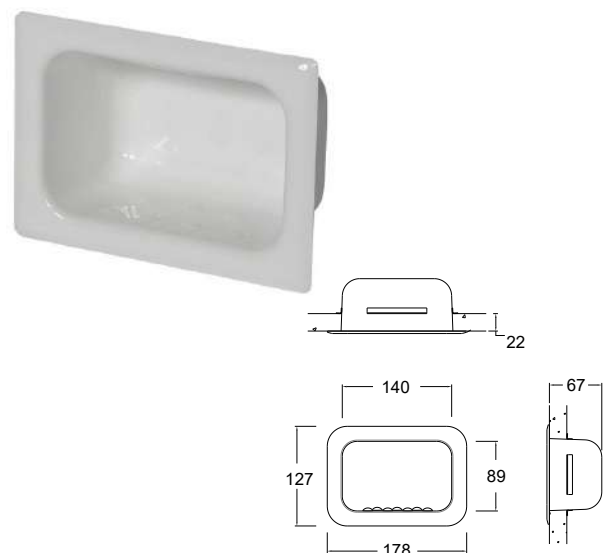
- Grade 304 stainless steel 6" square strainer
- Cast iron body
- Internal gusset system helps prevent ligature points
- 2" outlet
- In stock 1 to 2 working days

WHLD LIGATURE RESISTANT LINEAR FLOOR DRAINS



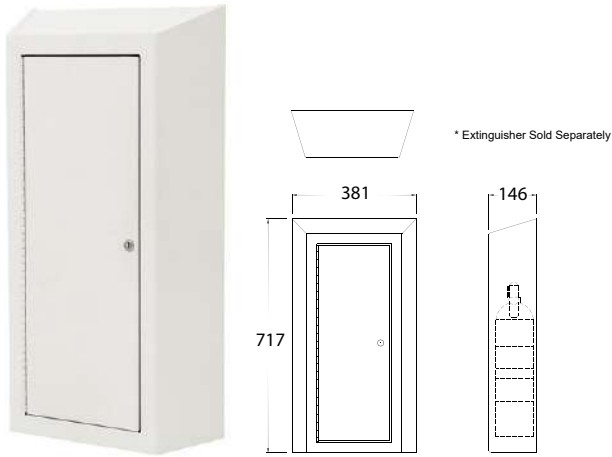
- Grade 304 stainless steel, 1.6mm thick
- Hidden shield under drain cover prevents ligature points
- Internal gusset system helps prevent ligature points
- 2" outlet
- Lengths: 305mm | 610mm | 915mm | 1220mm | 1525mm
- In stock 1 to 2 working days

WH1832-PF LIGATURE RESISTANT RECESSED SOAP DISH



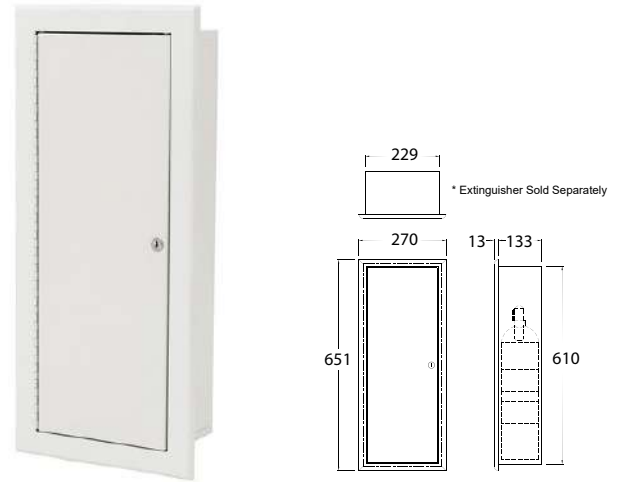
- Grade 304 stainless steel, 1.6mm thick
- White powder coated finish
- Supplied with plaster mounting flange
- To be set into plaster walls
- In stock 1 to 2 working days

WH1754 LIGATURE RESISTANT SURFACE MOUNTED FIRE EXTINGUISHER CABINET



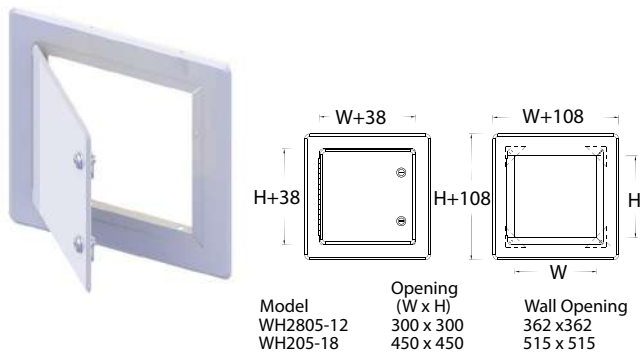
- Steel, 0.9mm thick
- White polyester coated finish
- Solid door with continuous piano hinge and lock
- Surface mounted with hidden fixing holes
- In stock 1 to 2 working days

WH1704 LIGATURE RESISTANT RECESSED FIRE EXTINGUISHER CABINET



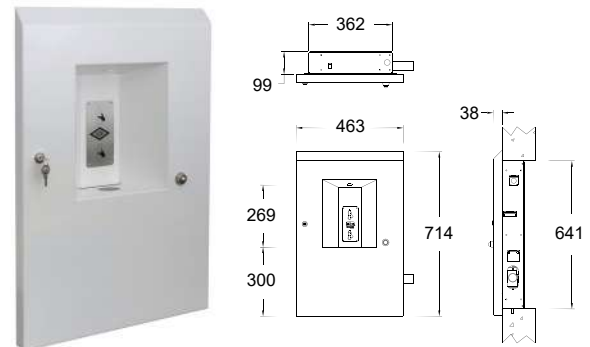
- Steel, 0.9mm thick
- White polyester coated finish
- Solid door with continuous piano hinge and lock
- Recess mounted with hidden fixing holes
- In stock 1 to 2 working days

WH2805 LIGATURE RESISTANT ACCESS PANEL DOORS



- Grade 304 stainless steel, 1.6mm thick
- White powder coated finish
- Door with hidden continuous piano hinge and two locks
- Recess mounted with hidden fixing holes
- Sizes: 300mm x 300mm | 450mm x 450mm
- In stock 1 to 2 working days

NO LONGER AVAILABLE

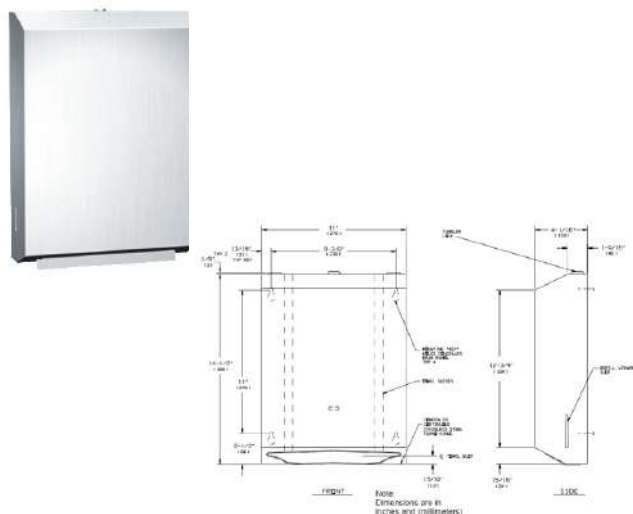


- NO LONGER AVAILABLE

WASHROOM ACCESSORIES

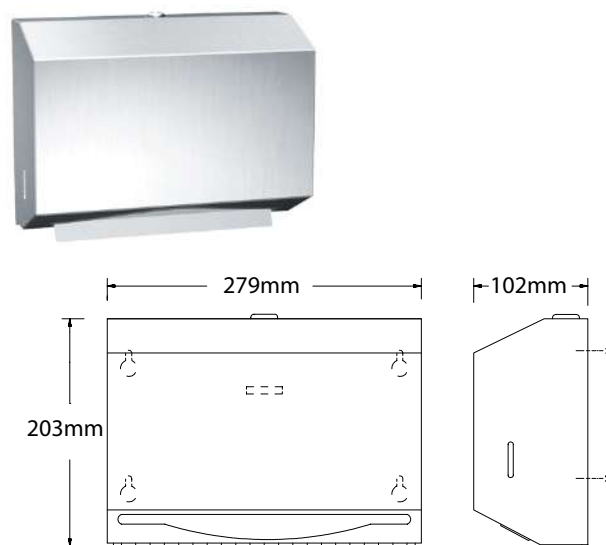
	Page
Large Paper Towel Dispenser	128
Small Paper Towel Dispenser	128
Countertop Paper Towel Dispenser	128
Centrefeed Paper Towel Dispenser	128
Small Recessed Paper Towel Dispenser and Waste Bin	129
Pedal Bin	129
Large Waste Bin	129
Small Waste Bin	129
Small Waste Chute	130
Large Waste Chute	130
Sanitary Towel Waste Bin	130
Recessed Sanitary Towel Waste Bin	130
Jumbo Toilet Roll Holder	131
Mini Jumbo Toilet Roll Holder	131
Maxi Jumbo Toilet Roll Holder	131
Polished Maxi Jumbo Toilet Roll Holder	131
Dual Toilet Roll Holder	132
Single Toilet Roll Holder	132
Double Toilet Roll Holder	132
Multiflat Toilet Tissue Dispenser	132
Vertical Liquid Soap Dispenser	133
Horizontal Liquid Soap Dispenser	133
Countertop Liquid Soap Dispenser with 102mm Spout	133
Countertop Liquid Soap Dispenser with 152mm Spout	133
Automatic Liquid Soap Dispenser	134
Countertop Waste Door	134
Fold Down Shelf	134
Stainless Steel Mirrors	134
Baby Change Unit	135
Locker	135

WA0210 LARGE PAPER TOWEL DISPENSER



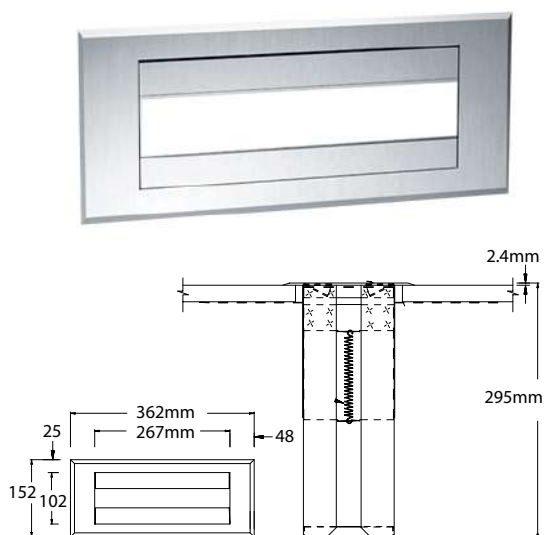
- Grade 304 stainless steel
- Wall mounted
- Hinged lockable filling lid
- Capacity: 400 C-Fold or 525 multifold paper towels
- In stock 1 to 2 working days

WA0215 SMALL PAPER TOWEL DISPENSER



- Grade 304 stainless steel
- Wall mounted
- Hinged lockable filling lid
- Capacity: 200 C-Fold or 275 multifold paper towels
- In stock 1 to 2 working days

WA1002 COUNTERTOP PAPER TOWEL DISPENSER



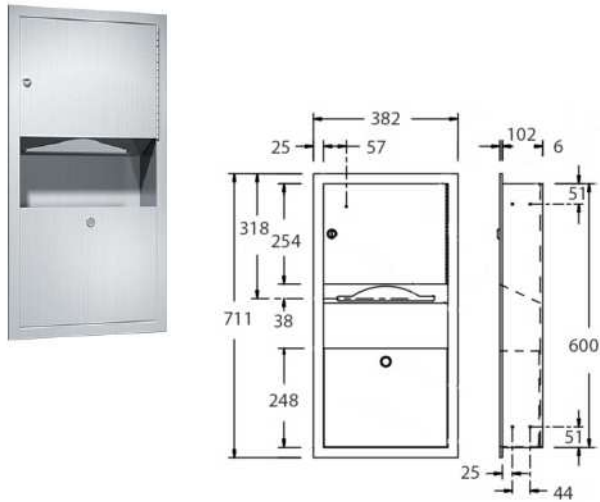
- Grade 304 stainless steel
- Countertop mounted
- Spring loaded mechanism
- Capacity: 1 pack of 300 paper towels
- In stock 1 to 2 working days

WA7005 CENTREFEED PAPER TOWEL DISPENSER



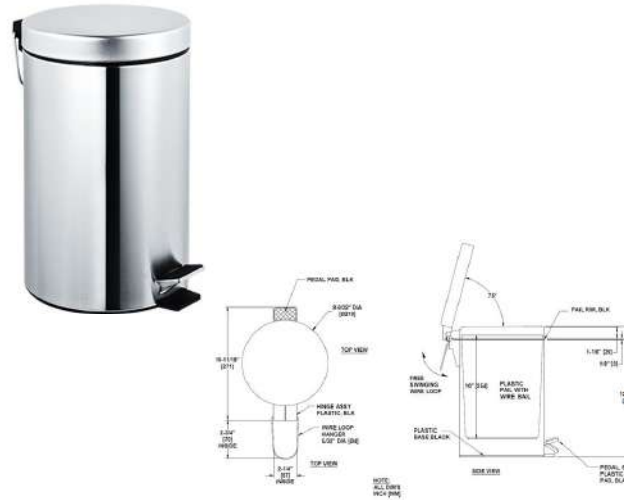
- Grade 304 stainless steel
- Wall mounted
- Hinged lockable filling lid
- Capacity: 1 roll 210 diameter x 230mm high
- To order 3 to 4 working days

WA0462-AD SMALL RECESSED PAPER TOWEL DISPENSER AND WASTE BIN



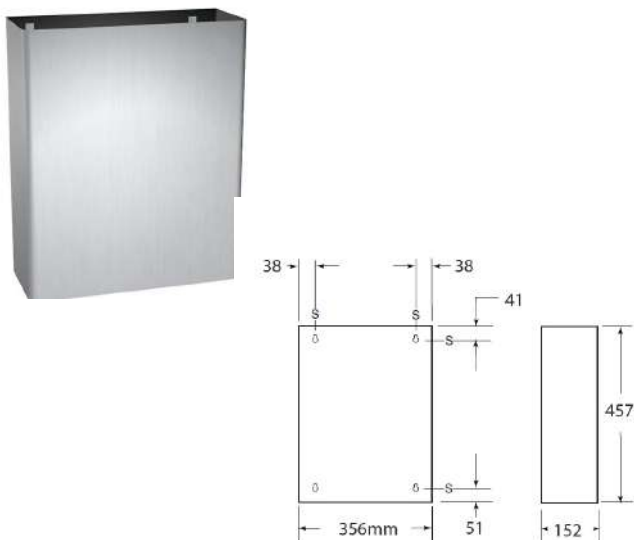
- Grade 304 stainless steel
- Recess wall mounted
- Hinged lockable filling lid
- Capacity: 350 C-Fold or 475 multifold paper towels; 7.6 litre waste bin
- In stock 1 to 2 working days

WA7317 PEDAL BIN



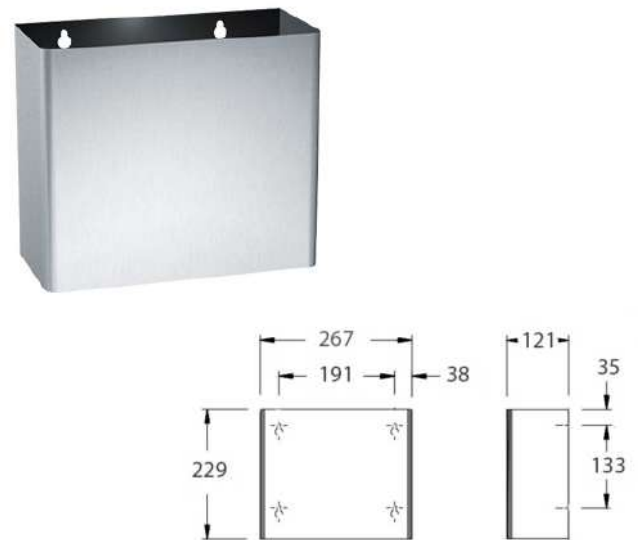
- Grade 304 stainless steel
- Foot pedal operated
- Plastic internal container
- Capacity: 7.6 litres
- In stock 1 to 2 working days

WA7042 LARGE WASTE BIN



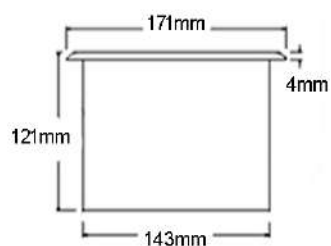
- Grade 304 stainless steel
- Wall mounted
- Heavy duty re-usable liner
- Capacity: 26.5 litre
- To order 7 to 10 working days

WA0827 SMALL WASTE BIN



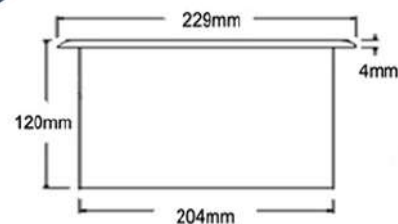
- Grade 304 stainless steel
- Wall mounted
- Hemmed edges for safety
- Capacity: 7.6 litre
- In stock 1 to 2 working days

WA721-1100 SMALL WASTE CHUTE



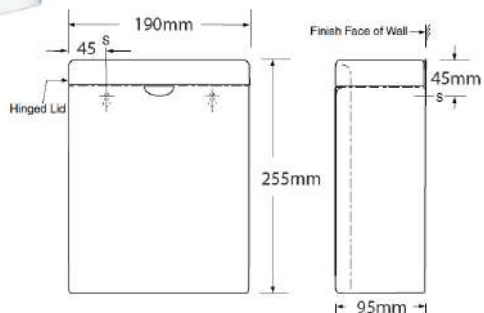
- Grade 304 stainless steel
- Countertop mounted
- 143mm internal diameter
- 173mm external diameter
- In stock 1 to 2 working days

WA721-1200 LARGE WASTE CHUTE



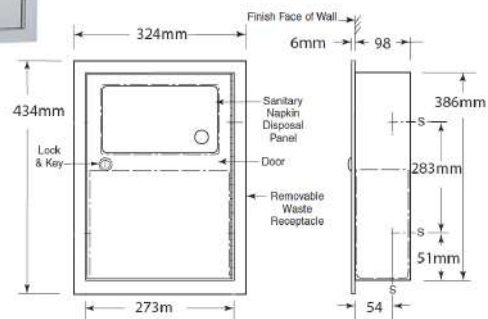
- Grade 304 stainless steel
- Countertop mounted
- 203mm internal diameter
- 233mm external diameter
- In stock 1 to 2 working days

WA7040 SANITARY TOWEL WASTE BIN



- Grade 304 stainless steel
- Wall or floor mounted
- Hinged lid
- Capacity: 3.8 litre
- In stock 1 to 2 working days

WA7041 RECESSED SANITARY TOWEL WASTE BIN



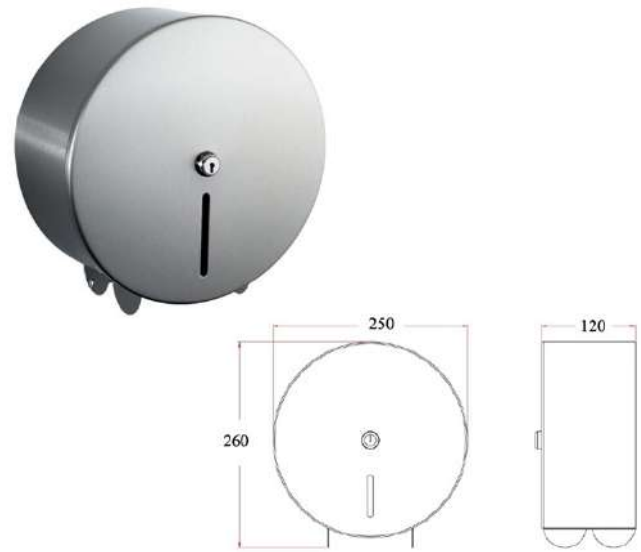
- Grade 304 stainless steel
- Recess wall mounted
- Hinged lockable door
- Capacity: 4.6 litre removable internal waste bin
- In stock 1 to 2 working days

WA7010 JUMBO TOILET ROLL HOLDER



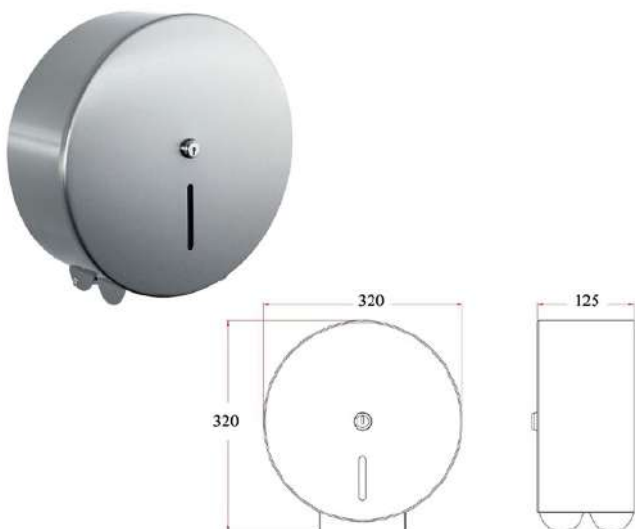
- Grade 304 stainless steel
- Wall mounted 270mm diameter
- Hinged lockable door
- Capacity: 1 x 238mm diameter x 102mm toilet roll
- In stock 1 to 2 working days

WAPLH40 MINI JUMBO TOILET ROLL HOLDER



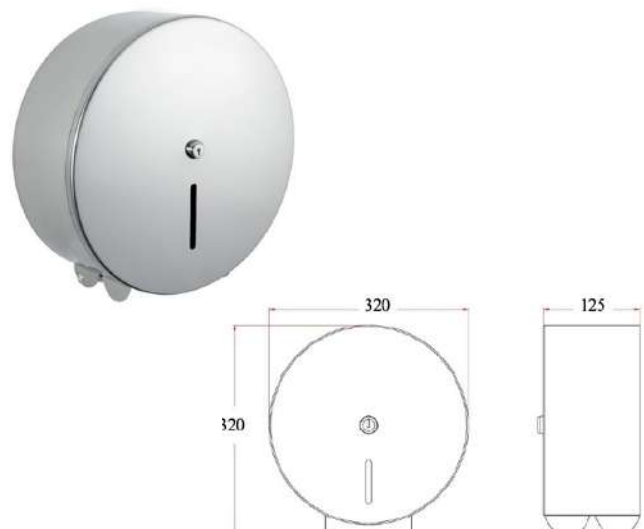
- Grade 304 stainless steel
- Wall mounted 250mm diameter
- Hinged lockable door
- Capacity: 1 x 245mm diameter x 102mm toilet roll
- To order 3 to 4 working days

WAPLH41 MAXI JUMBO TOILET ROLL HOLDER



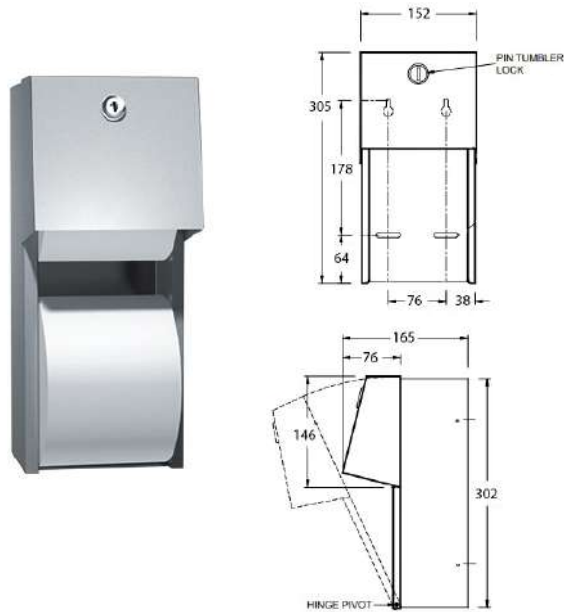
- Grade 304 stainless steel
- Wall mounted 320mm diameter
- Hinged lockable door
- Capacity: 1 x 310mm diameter x 102mm toilet roll
- To order 3 to 4 working days

WAPLH41-POL POLISHED MAXI JUMBO TOILET ROLL HOLDER



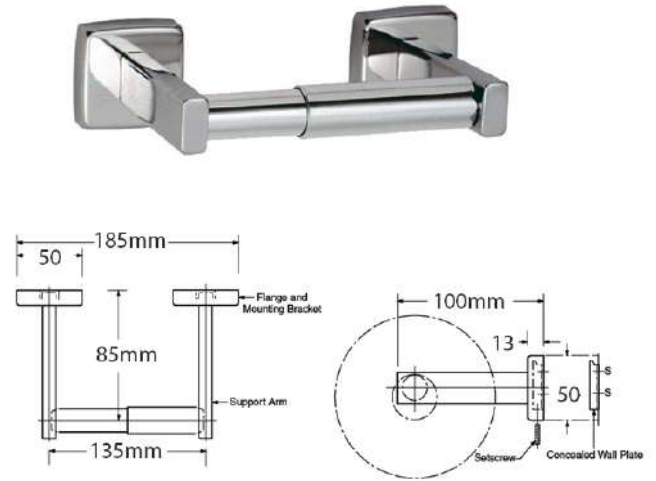
- Grade 304 stainless steel with high polished finish
- Wall mounted 320mm diameter
- Hinged lockable door
- Capacity: 1 x 310mm diameter x 102mm toilet roll
- To order 3 to 4 working days

WA0030 DUAL TOILET ROLL HOLDER



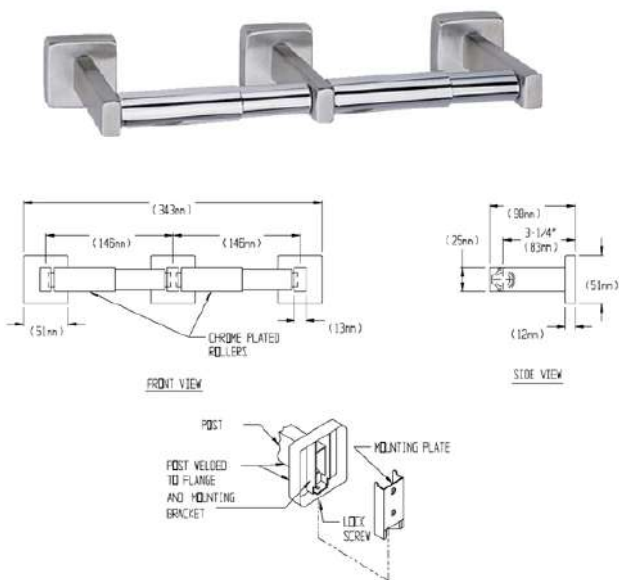
- Grade 304 stainless steel
- Wall mounted
- Hinged lockable door
- Capacity: 2 x standard toilet rolls
- In stock 1 to 2 working days

WA7012 SINGLE TOILET ROLL HOLDER



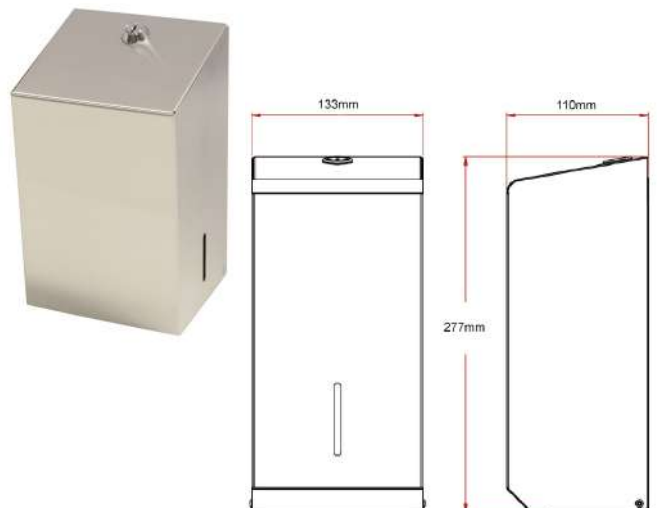
- Grade 304 stainless steel
- Wall mounted
- Spring loaded spindle
- Capacity: 1 x standard toilet roll
- In stock 1 to 2 working days

WA7305-2S DOUBLE TOILET ROLL



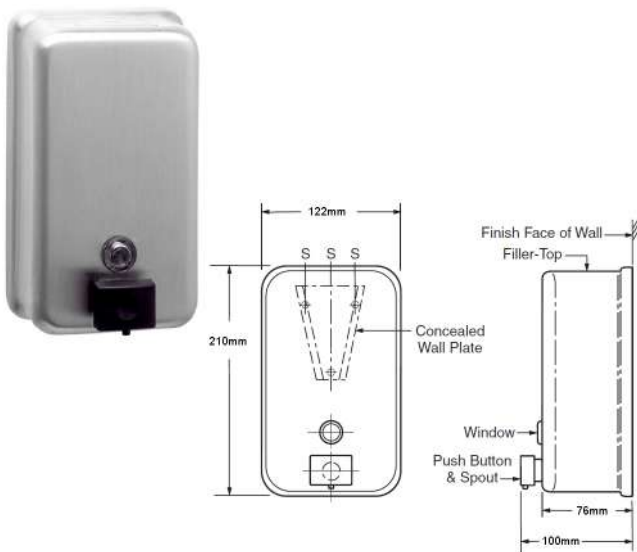
- Grade 304 stainless steel
- Wall mounted
- Spring loaded spindles
- Capacity: 2 x standard toilet rolls
- In stock 1 to 2 working days

WA7014 MULTIFLAT TOILET TISSUE DISPENSER



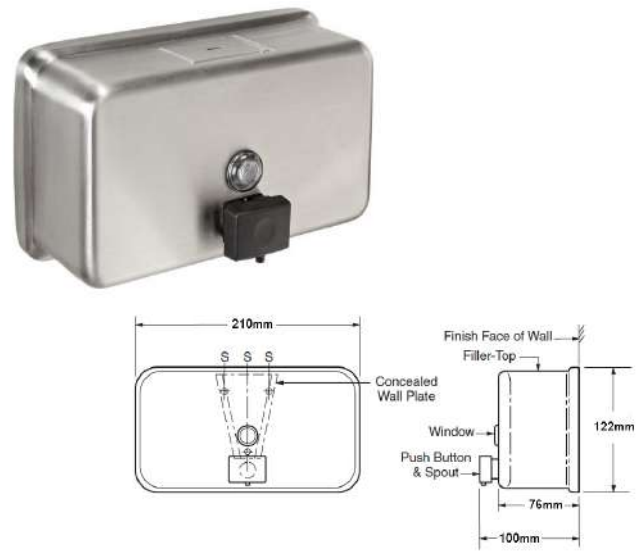
- Grade 304 stainless steel
- Wall mounted
- Hinged lockable lid
- Capacity: 600 sheets multiflat toilet tissue
- In stock 1 to 2 working days

WA0347 VERTICAL LIQUID SOAP DISPENSER



- Grade 304 stainless steel
- Wall mounted
- Hinged lockable filling lid
- Capacity: 1.2 litres liquid soap (pH neutral)
- In stock 1 to 2 working days

WA0345 HORIZONTAL LIQUID SOAP DISPENSER



- Grade 304 stainless steel
- Wall mounted
- Hinged lockable filling lid
- Capacity: 1.2 litres liquid soap (pH neutral)
- In stock 1 to 2 working days

WA7022 COUNTERTOP LIQUID SOAP DISPENSER



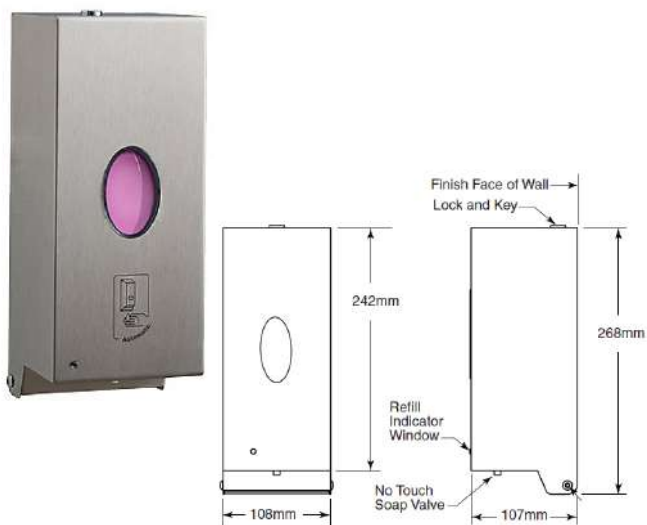
- Chrome plated brass and plastic
- Countertop mounted with 102mm spout
- Can be refilled from the top with special key provided
- Capacity: 0.9 litres liquid soap (pH neutral)
- In stock 1 to 2 working days

NO LONGER AVAILABLE



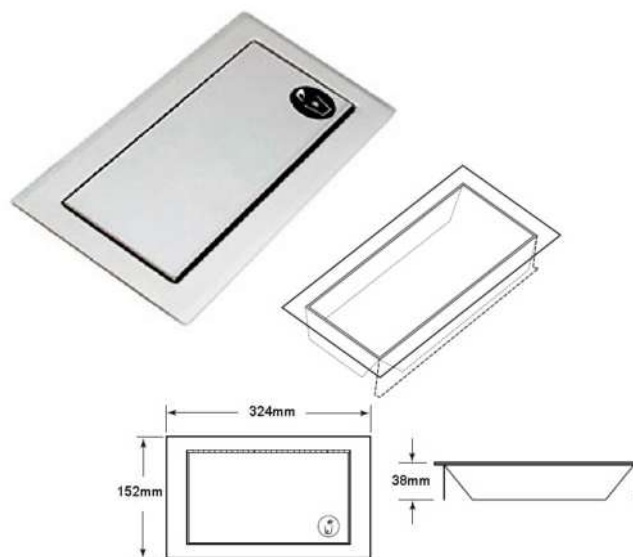
- NO LONGER AVAILABLE

WA7025 AUTOMATIC LIQUID SOAP DISPENSER



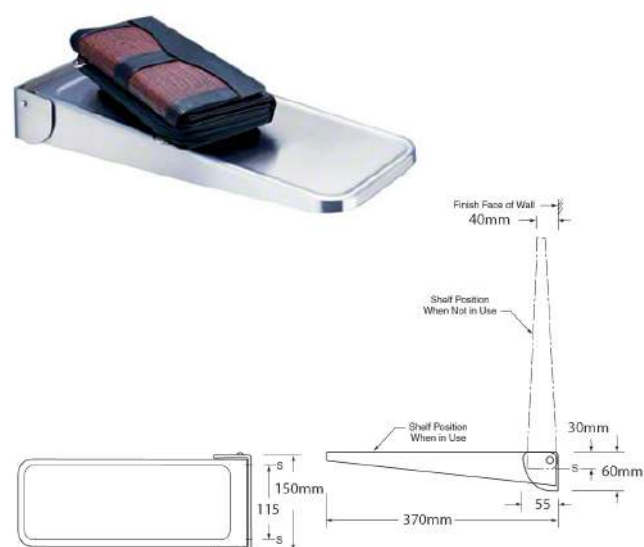
- Grade 304 stainless steel
- Wall mounted
- Sensor operated, battery supply
- Capacity: 0.85 litres liquid soap (pH neutral)
- In stock 1 to 2 working days

WA7044 COUNTERTOP WASTE DOOR



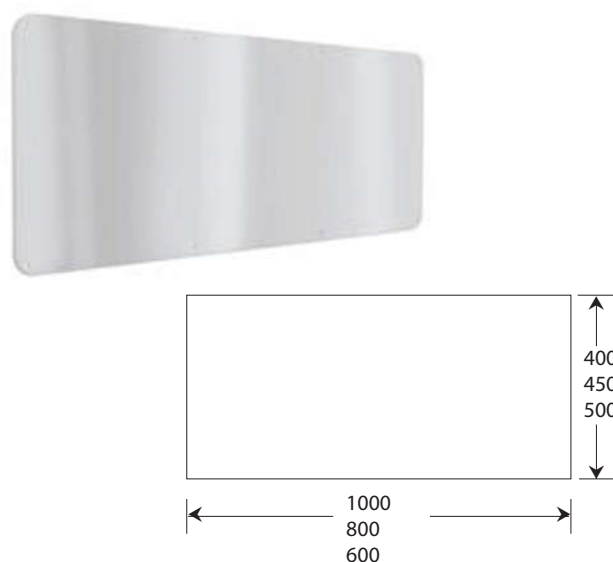
- Grade 304 stainless steel
- Countertop mounted, horizontal or vertical
- Hinged self-closing spring loaded door
- Concealed fixings
- In stock 1 to 2 working days

WA7050 FOLD DOWN SHELF



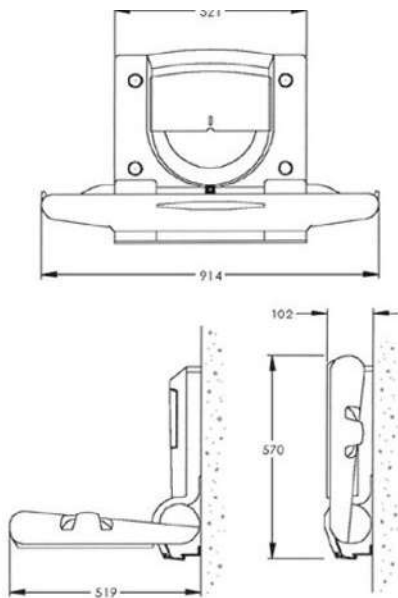
- Grade 304 stainless steel
- Wall mounted with fixing holes
- Fold down spring closing shelf
- Stores upright when not in use
- In stock 1 to 2 working days

WA754 STAINLESS STEEL MIRRORS



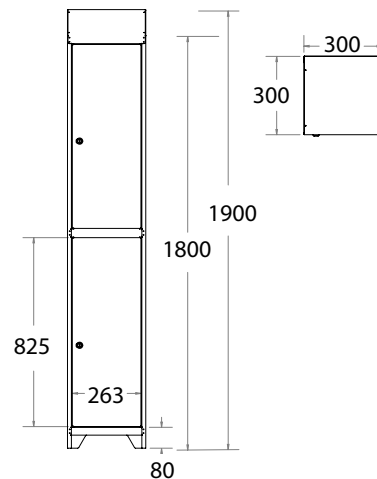
- Grade 304 stainless steel
- Wall mounted with fixing holes
- Radiused corners
- Standard and made to order sizes
- To order 4 to 5 working days

WA9012 BABY CHANGE UNIT



- High density polyethylene construction
- Wall mounted with fixing holes
- Light cream colour
- Easy to clean changing surface
- Safety strap
- Manufactured to meet the standards EN1221-2:2008 + A1:2013
- 11kg load capacity sticker to conform to EU regulations (tested to 136kg)
- Two built in bag hooks
- No sharp edges or corners
- In stock 1 to 2 working days

WA01 LOCKER



- Grade 304 stainless steel
- Floor standing locker
- 1900mm high x 300mm x 300mm
- Internal shelf
- Two lockable doors
- Manufactured to order 10 to 15 working days

TAPS AND VALVES

	Page
Cross Head Basin Taps.....	137
Cross Head High Neck Sink Taps.....	137
Lever Basin Taps.....	137
Lever High Neck Sink Taps.....	137
6 Inch Lever Basin Taps	138
6 Inch Lever High Neck Sink Taps	138
3 Inch Lever Bib Taps	138
6 Inch Lever Bib Taps	138
Cross Head Bib Taps	139
Press Button Time Flow Bib Tap	139
Wall Plate Elbows	139
Through Wall Connector Elbows	139
Lever Mixer Tap	140
Monobloc Lever Mixer Tap	140
Bridge Lever Mixer Tap	140
Wall Mounted Bridge Lever Mixer Tap.....	140
Sequential Lever Mixer Tap	141
Press Button Time Flow Non-Concussive Tap.....	141
Press Button Time Flow Mixer Tap	141
Knee Operated Time Flow Valve	141
Toggle Lever Time Flow Tap	142
Basin Spout	142
Infrared Taps	142
Infrared Wall Mounted Taps 170mm Projection	142
Infrared Wall Mounted Taps 220mm Projection	143
Time Flow Pillar Tap	143
Time Flow Swan Neck Tap	143
Lever Dental Mixer Tap	143
Pre Rinse Monobloc Catering Taps	144
Pre Rinse Twin Catering Taps	145
Pre Rinse Super Short and Wall Mounted Catering Taps	146
TMV3 Mixing Valves.....	147
Bib Tap Extensions.....	147

TVS6711 CROSS HEAD BASIN TAPS



- Supplied in pairs, deck mounted design
- 1/2" tap connections, 22mm tap holes
- Cross head operation
- Easy on off action
- In stock 1 to 2 working days

TVS6712 CROSS HEAD HIGH NECK SINK TAPS



- Supplied in pairs, deck mounted design
- 1/2" tap connections, 22mm tap holes
- Cross head operation
- Easy on/off action
- In stock 1 to 2 working days

TVS6721 BASIN TAPS WITH 3 INCH LEVERS



- Supplied in pairs, deck mounted design
- 1/2" tap connections, 22mm tap holes
- 3" lever operation
- Quarter turn on/off action
- In stock 1 to 2 working days

TVS6722 HIGH NECK SINK TAPS WITH 3 INCH LEVERS



- Supplied in pairs, deck mounted design
- 1/2" tap connections, 22mm tap holes
- 3" lever operation
- Quarter turn on/off action
- In stock 1 to 2 working days

TVS6721-6 BASIN TAPS WITH 6 INCH LEVERS



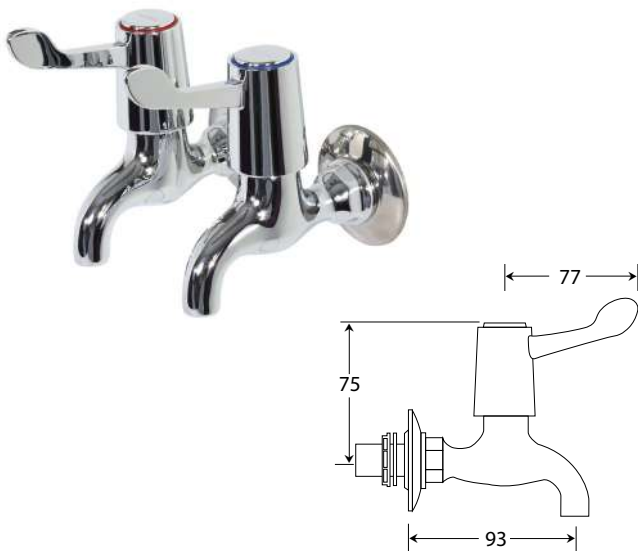
- Supplied in pairs, deck mounted design
- 1/2" tap connections, 22mm tap holes
- 6" lever operation
- Quarter turn on/off action
- In stock 1 to 2 working days

TVS6722-6 HIGH NECK SINK TAPS WITH 6 INCH LEVERS



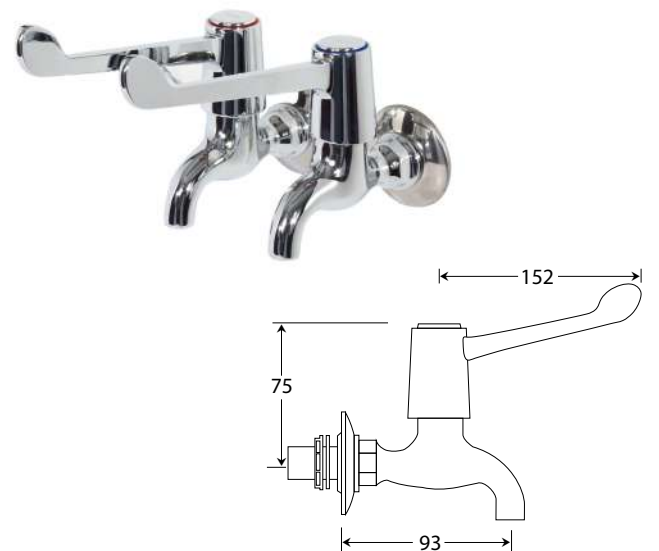
- Supplied in pairs, deck mounted design
- 1/2" tap connections, 22mm tap holes
- 6" lever operation
- Quarter turn on/off action
- In stock 1 to 2 working days

TVS6723 BIB TAPS WITH 3 INCH LEVERS



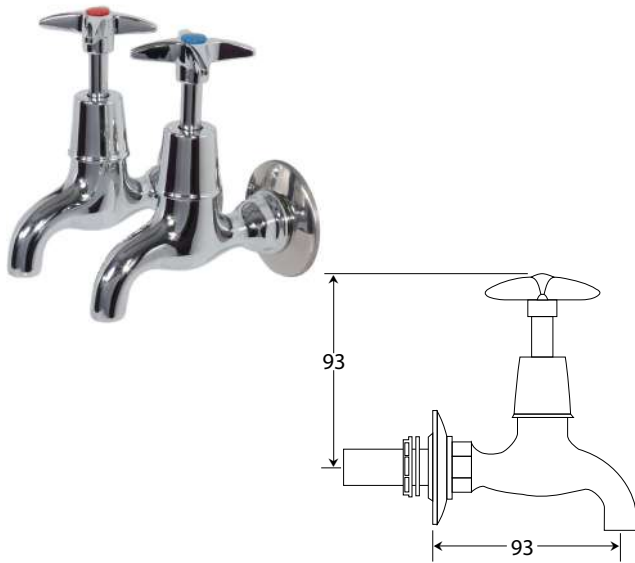
- Supplied in pairs, wall mounted design
- 1/2" tap connections, 22mm tap holes
- Optional wall plate elbows (for exposed supply)
- Optional 50mm or 100mm extensions
- In stock 1 to 2 working days

TVS6723-6 BIB TAPS WITH 6 INCH LEVERS



- Supplied in pairs, wall mounted design
- 1/2" tap connections, 22mm tap holes
- Optional wall plate elbows (for exposed supply)
- Optional 50mm or 100mm extensions
- In stock 1 to 2 working days

TVS6713 CROSS HEAD BIB TAPS



- Supplied in pairs, wall mounted design
- 1/2" tap connections, 22mm tap holes
- Optional wall plate elbows (for exposed supply)
- Optional 50mm or 100mm extensions
- In stock 1 to 2 working days

TVS7460 PRESS BUTTON TIME FLOW BIB TAP



- Single tap, wall mounted design
- 1/2" tap connection, 22mm tap hole
- Time flow press button mechanism
- Water saving operation
- In stock 1 to 2 working days

TVS6713WPE WALL PLATE ELBOWS



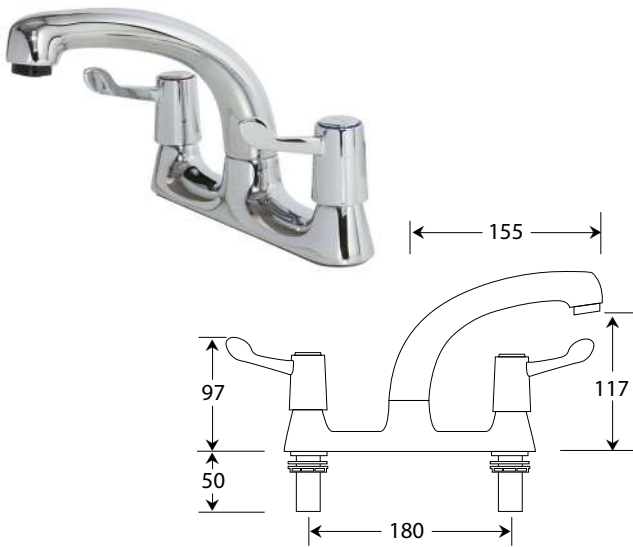
- Supplied in pairs
- 1/2" female thread
- 15mm compression water pipe connection
- Convert through wall bib taps to an exposed water supply
- In stock 1 to 2 working days

ID0061 THROUGH WALL CONNECTOR ELBOWS



- Supplied as singles
- 1/2" female thread
- Straight connector for bib taps
- Suitable for most bib taps (not press button bib taps)
- In stock 1 to 2 working days

TVS6724 LEVER MIXER TAP



- Single tap, deck mounted design
- ½" tap connections, 22mm tap holes at 180mm centres
- 3" levers and swivel spout
- Quarter turn on/off action
- In stock 1 to 2 working days

TVS6743 MONOBLOC LEVER MIXER TAP



- Single tap, deck mounted design
- Two 15mm connections with copper tails, 35mm tap hole
- 3" levers and swivel spout
- Quarter turn on/off action
- In stock 1 to 2 working days

TVS6766 BRIDGE LEVER MIXER TAP



- Single tap, deck mounted design
- ½" tap connections, 22mm tap holes at 165 to 240mm centres
- 6" levers and swivel spout
- Quarter turn on/off action
- In stock 1 to 2 working days

TVS6767 WALL MOUNTED BRIDGE LEVER MIXER TAP



- Single tap, wall mounted design
- ½" tap connections, 22mm tap holes at 202mm centres
- 6" levers and swivel spout
- Quarter turn on/off action
- In stock 1 to 2 working days

TVS6742 SEQUENTIAL LEVER MIXER TAP



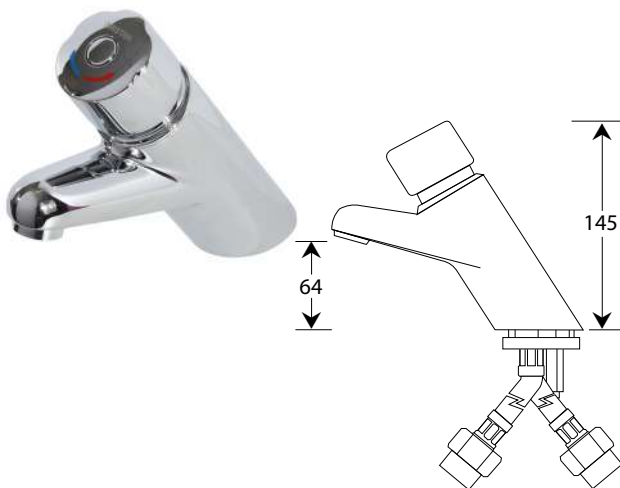
- Single tap, deck mounted design
- ½" flexible hot and cold water connections
- 35mm tap hole
- 180 degree sequential operation from cold to hot
- In stock 1 to 2 working days

TVS6922 PRESS BUTTON TIME FLOW NON-CONCUSSIVE TAP



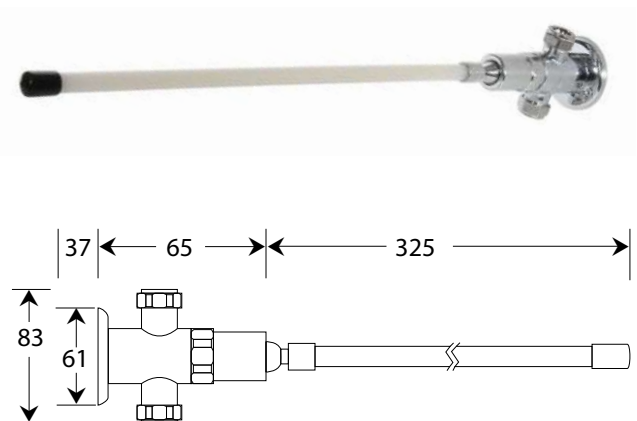
- Single tap, deck mounted design
- ½" tap connection, 22mm tap hole
- Vandal resistant button prevents jamming tap on
- Time flow operation starts as button is released
- In stock 1 to 2 working days

TVS6820 PRESS BUTTON TIME FLOW MIXER TAP



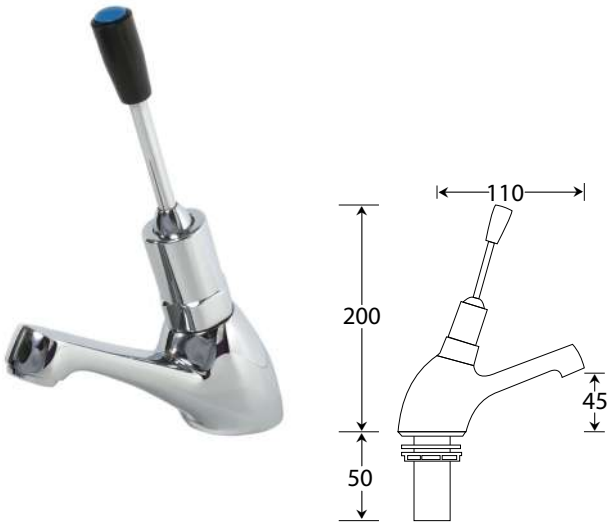
- Single tap, deck mounted design
- ½" flexible hot and cold tap connections, 35mm tap hole
- Water saving operation
- Time flow operation with turn button temperature control (not thermostatic)
- To order 3 to 4 working days

TVS6831 KNEE OPERATED TIME FLOW VALVE



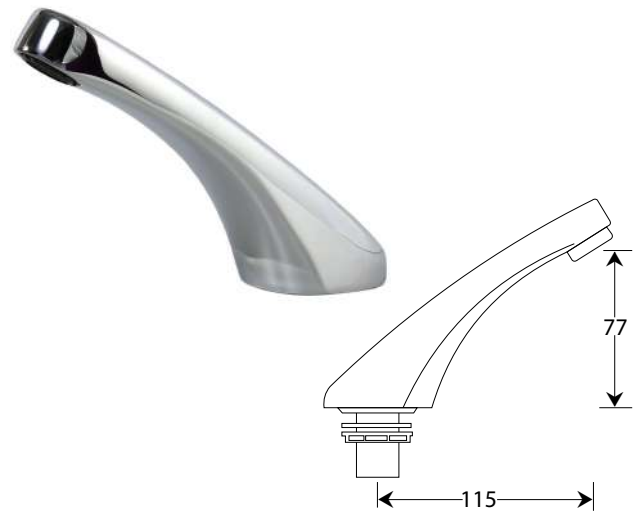
- Single valve, surface mounted
- 15mm compression water connections
- 15 second time flow operation at 1 bar
- To be used in conjunction with a wall or deck mounted spout
- In stock 1 to 2 working days

TVS6819 TOGGLE LEVER TIME FLOW TAP



- Single tap, deck mounted
- 1/2" tap connection, 22mm tap hole
- 15 second time flow operation at 1 bar
- Supplied with hot and cold indices
- To order 3 to 4 working days

TVS6912 BASIN SPOUT



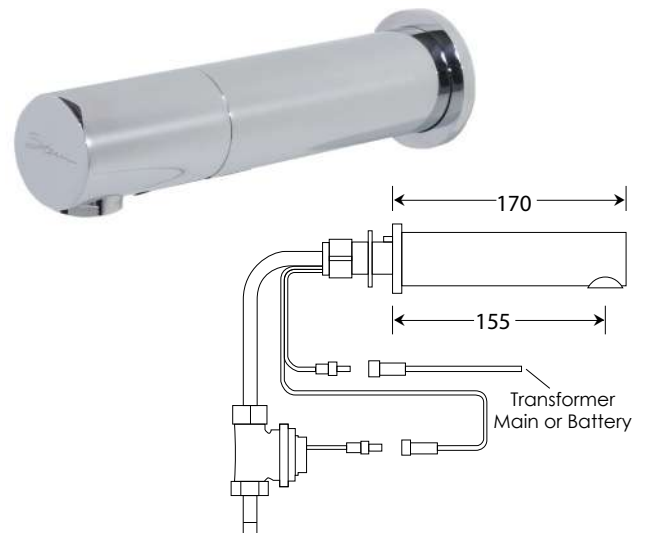
- Single spout, deck mounted
- 1/2" tap connection, 30mm tap hole
- Fixed design
- For use with TVS6831 knee operated time flow valve
- In stock 1 to 2 working days

TVS7035 INFRARED DECK MOUNTED SENSOR TAP



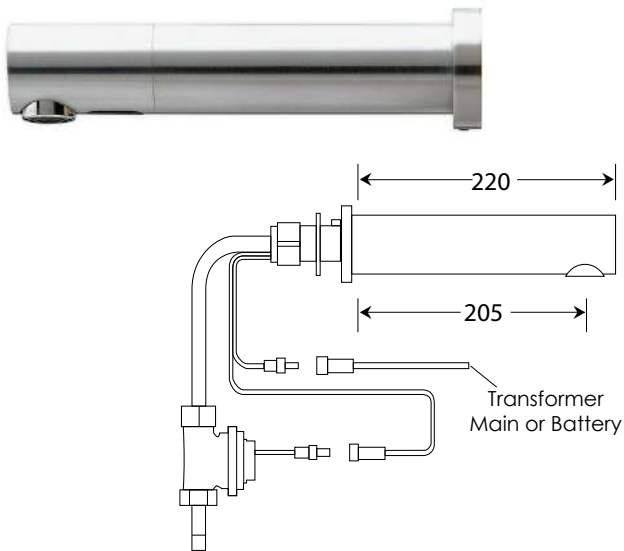
- No touch sensor operated basin tap
- 3 second shut off when hands removed
- Battery or mains power supply (to be specified)
- 30mm tap hole
- In stock 1 to 2 working days

TVS6955 INFRARED WALL MOUNTED TAP 170MM PROJECTION



- One, two or three user kits available
- Up to 3 units from one power supply
- Battery or mains power supply (to be specified)
- 30mm tap hole
- In stock 1 to 2 working days

TVS6957 INFRARED WALL MOUNTED TAP 220MM PROJECTION



- One, two or three user kits available
- Up to 3 units from one power supply
- Battery or mains power supply (to be specified)
- 30mm tap hole
- To order 3 to 4 working weeks

TVS9080SCBT SELF CLOSING PILLAR TAP



- Single tap, deck mounted
- Time flow 8 to 12 seconds
- Single 1/2" threaded connection
- 22mm tap hole
- In stock 2 to 3 working days

TVS9091SCBTFS TIME FLOW SWAN NECK TAP



- Single tap, deck mounted
- Time flow 8 to 12 seconds
- Single 1/2" threaded connection
- 22mm tap hole
- In stock 2 to 3 working days

TVS6999 LEVER DENTAL MIXER TAP



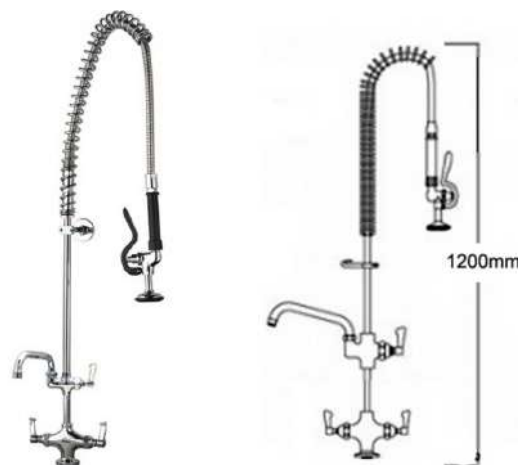
- Single tap, deck mounted
- Long lever for wrist and elbow use
- 15mm hot and cold copper tails
- 35mm tap hole
- In stock 1 to 2 working days

TVS-PRM PRE RINSE MONOBLOC CATERING TAP



- Lever operated hot and cold taps
- ½" hot and cold water connections
- 300mm long wall bracket which can be trimmed on site
- Hand held spray with heavy duty food grade hose and spring
- 30mm tap hole
- To order 2 to 3 working days

TVS-PRM-PF PRE RINSE MONOBLOC CATERING TAP WITH POT FILLER



- Lever operated hot and cold taps
- ½" hot and cold water connections
- Pot filler valve with 6", 12" or 16" pot filling spout
- Hand held spray with heavy duty food grade hose and spring
- 30mm tap hole
- To order 2 to 3 working days

TVS-SPRM SHORT PRE RINSE MONOBLOC CATERING TAP



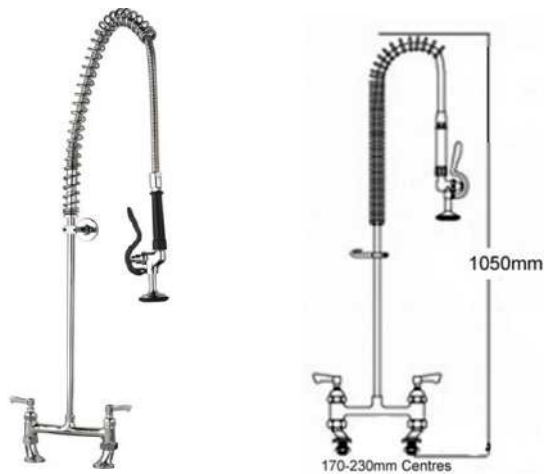
- Lever operated hot and cold taps
- ½" hot and cold water connections
- Shorter main tube
- Hand held spray with heavy duty food grade hose and spring
- 30mm tap hole
- To order 2 to 3 working days

TVS-SPRM-PF SHORT PRE RINSE MONOBLOC CATERING TAP WITH POT FILLER



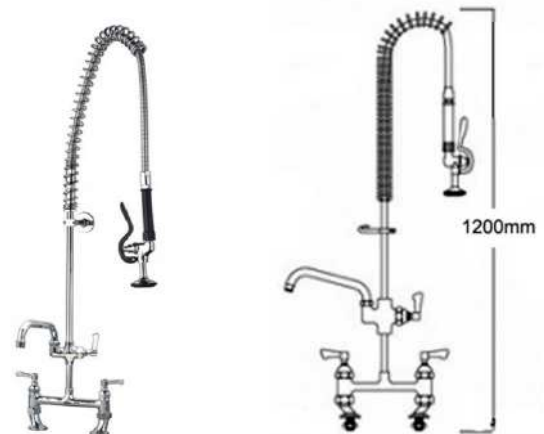
- Lever operated hot and cold taps
- ½" hot and cold water connections
- Shorter main tube, 30mm tap hole
- Pot filler valve with 6", 12" or 16" pot filling spout
- Hand held spray with heavy duty food grade hose and spring
- To order 2 to 3 working days

TVS-PRT PRE RINSE TWIN CATERING TAP



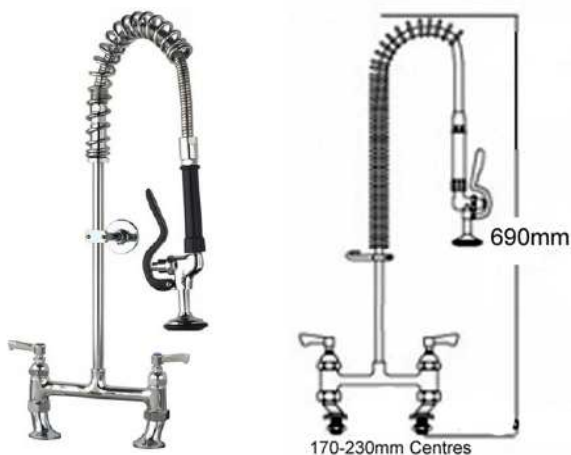
- Lever operated hot and cold taps
- ½" hot and cold water connections
- Hand held spray with heavy duty food grade hose and spring
- 300mm long wall bracket which can be trimmed on site
- Two 25mm tap holes at 170mm to 230mm centres
- To order 2 to 3 working days

TVS-PRT-PF PRE RINSE TWIN CATERING TAP WITH POT FILLER



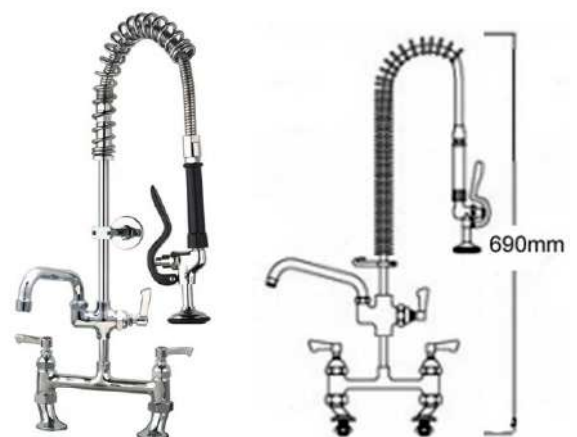
- Lever operated hot and cold taps
- ½" hot and cold water connections
- Pot filler valve with 6", 12" or 16" pot filling spout
- Hand held spray with heavy duty food grade hose and spring
- Two 25mm tap holes at 170mm to 230mm centres
- To order 2 to 3 working days

TVS-SPRT SHORT PRE RINSE TWIN CATERING TAP



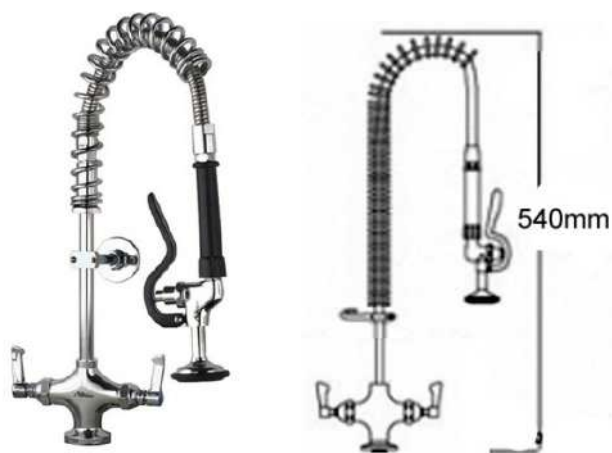
- Lever operated hot and cold taps
- ½" hot and cold water connections
- Shorter main tube
- Hand held spray with heavy duty food grade hose and spring
- Two 25mm tap holes at 170mm to 230mm centres
- To order 2 to 3 working days

TVS-SPRT-PF SHORT PRE RINSE TWIN CATERING TAP WITH POT FILLER



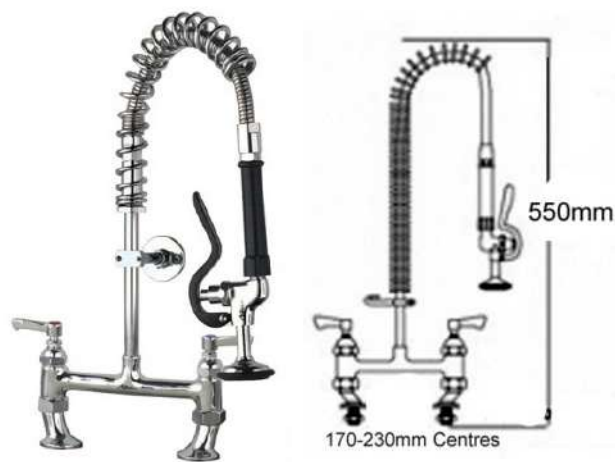
- Lever operated hot and cold taps
- ½" hot and cold water connections
- Shorter main tube, two 22mm tap holes at 170mm to 230mm centres
- Hand held spray with heavy duty food grade hose and spring
- Pot filler valve with 6", 12" or 16" pot filling spout
- To order 2 to 3 working days

TVS-SSPRM SUPER SHORT PRE RINSE MONOBLOC CATERING TAP



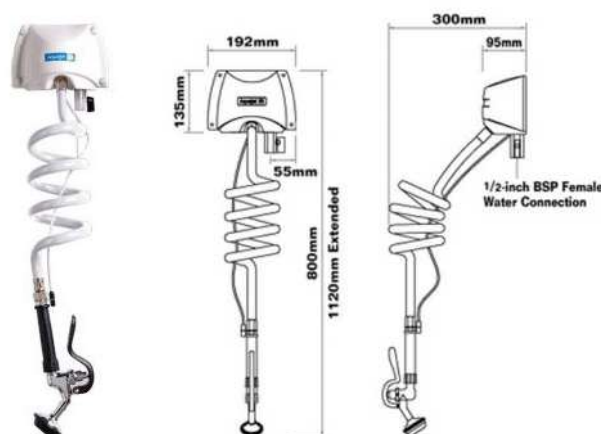
- Lever operated hot and cold taps
- ½" hot and cold water connections
- Shortest possible main tube
- Hand held spray with heavy duty food grade hose and spring
- 30mm tap hole
- To order 2 to 3 working days

TVS-SSPRT SUPER SHORT PRE RINSE TWIN CATERING TAP



- Lever operated hot and cold taps
- ½" hot and cold water connections
- Shortest possible main tube
- Hand held spray with heavy duty food grade hose and spring
- Two 22mm tap holes at 170mm to 230mm centres
- To order 2 to 3 working days

TVS-PRWM WALL MOUNTED PRE RINSE MONOBLOC CATERING TAP



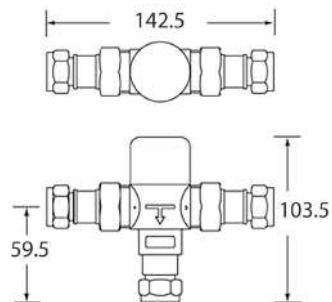
- ½" single water connection
- Hand held spray with heavy duty food grade hose and spring
- Easy clean cover
- Restraining cord to prevent overstretching hose
- Wall hook for hanging spray head
- To order 2 to 3 working days

TVS-SPRAYGUN REPLACEMENT PRE RINSE SPRAY GUN



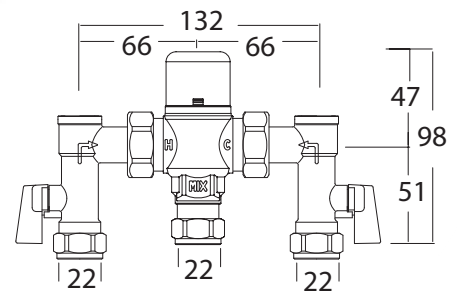
- Replacement spray gun and handle
- Hand held trigger operated spray gun
- Both ½" BSP and American threaded handles supplied
- Factory pressure tested
- Should fit most pre rinse units
- To order 2 to 3 working days

TVS7001TMV3-15 15MM TMV3 MIXING VALVE



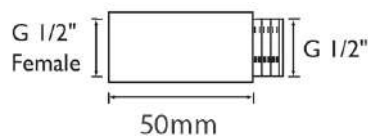
- Automatic shut off in the event of hot or cold water supply failure
- Recommended one per tap to prevent accidental scalding
- In stock 1 to 2 working days

WF-TMV3-D08 22MM TMV3 MIXING VALVE



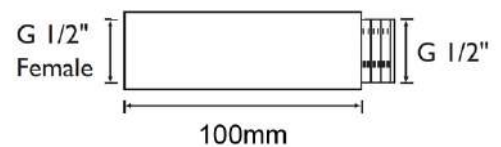
- Automatic shut off in the event of hot or cold water supply failure
- Recommended one per wash fountain to prevent accidental scalding
- In stock 1 to 2 working days

CP50WX 50MM BIB TAP EXTENSIONS



- Supplied in pairs
- Suitable for most bib taps (not press button bib taps)
- In stock 1 to 2 working days

CP100WX 100MM BIB TAP EXTENSIONS



- Supplied in pairs
- Suitable for most bib taps (not press button bib taps)
- In stock 1 to 2 working days

CARE AND MAINTENANCE

All grades of stainless steel can stain and discolour due to surface deposits and must never be accepted as completely maintenance free. In order to achieve maximum corrosion resistance, the surface of the stainless steel must be kept clean. Stainless steel is highly rust resistant and will not rust under normal conditions. Marks that appear to be rust almost always turn out to be discolouration or staining arising from poor cleaning routines. Provided correct cleaning is carried out on a regular scheduled basis, good performance and long service life are assured.

Factors Affecting Maintenance

Surface contamination and the formation of deposits must be prevented. Such deposits may be minute particles of iron or rust left over from the building of new premises and not removed until after the stainless steel items have been fixed. Industrial and even naturally occurring atmospheric conditions can produce deposits which can be equally corrosive, e.g. salt deposits from marine conditions.

Acids, bleaches and non-approved cleaners or chemicals should NOT be used on stainless steel. We only recommend a mild soap and water solution. This is all you should require under normal circumstances.

Maintenance Programme

Thorough cleaning before handing over to the client should be undertaken. Where surface contamination is suspected, immediate attention to cleaning after site fixing will ensure trouble free service. Regular cleaning should be undertaken to keep the products in good condition and prevent deposits turning brown.

Routine Cleaning

Use soap or a mild detergent (such as washing up liquid) with a sponge. Wash the whole product thoroughly, rinse with clean water and dry.

Stubborn stains and discolouration

Use soap and water in conjunction with a Scotchbrite synthetic cleaning pad rubbed gently along the grain of the material.

Scratches on brushed satin finish

For light scratches use a Scotchbrite synthetic pad lubricated with washing up liquid with a slightly harder rubbing action along the grain of the material.

Solid Surface Materials

Everyday spills can be removed using a damp cloth and a general purpose cleanser (Ajax Spray n' Wipe).

Stubborn marks such as food, dye, tea and fruit juice may require more rigorous cleaning methods. These items can be removed using bleach diluted 1:1 (1 part water: 1 part bleach) followed by a general purpose cleanser (Ajax Spray n' Wipe).

Bleach should only come into contact with the surface for a maximum of two minutes.

MATERIAL SPECIFICATIONS

We utilise the most appropriate materials for the products we manufacture and supply, below are the material specifications for the most popular materials utilised in our products.

All exposed stainless steel surfaces are usually polished to a satin finish unless stated otherwise.

Powder coating services are available in a range of colours, please contact our sales team for more information.

Grade 304 Stainless Steel

Stainless steel types 1.4301 and 1.4307 are also known as grades 304 and 304L respectively. Type 304 is the most versatile and widely used stainless steel. It is still sometimes referred to by its old name 18/8 which is derived from the nominal composition of type 304 being 18% chromium and 8% nickel. Type 304 stainless steel is an austenitic grade that can be severely deep drawn. This property has resulted in 304 being the dominant grade used in applications like sinks and saucepans. (From the Aalco Metals datasheet)

Grade 316 Stainless Steel

Stainless steel types 1.4401 and 1.4404 are also known as grades 316 and 316L respectively. Grade 316 is an austenitic grade second only to 304 in commercial importance. 316 stainless steel contains an addition of molybdenum that gives it improved corrosion resistance. This is particularly apparent for pitting and crevice corrosion in chloride environments. Corrosion resistance: Grade 316 has excellent corrosion resistance when exposed to a range of corrosive environments and media. It is usually regarded as "marine grade" stainless steel but is not resistant to warm sea water. Warm chloride environments can cause pitting and crevice corrosion. Grade 316 is also subject to stress corrosion cracking above around 60°C. (From the Aalco Metals datasheet)

Hi-Macs Solid Surface Material

HI-MACS® is a delicate composition of acrylic, minerals and natural pigments that combine to create a smooth, non-porous, thermoformable and visually seamless surface. The material meets the highest standards for quality in all aspects: material performance, fabrication, functionality and hygiene. Thanks to these qualities and the outstanding flexibility in fabrication and design, HI-MACS® offers countless advantages over conventional materials. 15 year limited material warranty.

Corian Solid Surface Material

Corian® is the original solid surface material. Created to last a lifetime it is a unique blend of minerals and acrylic which creates a stone-hard surface that can be shaped to meet any design or dimension. Corian® is an advanced composite of natural minerals and pure acrylic polymer and is backed by DuPont™ with a 10 year Limited Installed Warranty.

TERMS AND CONDITIONS

Definitions In these conditions, the Company shall mean Acorn Thorn Limited, the purchaser shall mean the person, firm or company to whom any quotation is addressed or with whom any contract is made and the goods shall mean the goods and/or services agreed to be sold by the Company to the purchaser.

1. Quotation and Acceptance All quotations are given and all orders are accepted on these terms which shall apply to the exclusion of and shall override any other terms stipulated or referred to by the purchaser whether in its order or any other document, or in any negotiations or communication or course of dealing established between the Company and the purchaser; (b) No modification or amendment of these terms or addition thereto shall be effective unless made in writing and signed by a director of the Company.

2. Description of and Statements as to Goods (a) Save where the goods are stated to be sold as complying with a recognised trade or industry standard, all descriptions, specifications, drawings and particulars of weights and dimensions submitted by the Company or otherwise contained in the Company's catalogues, brochures, price lists, quotations and publicity materials are approximate only and the Company shall not be liable for their accuracy unless they are expressly incorporated into the contract in writing. (b) These terms represent the entire agreement between the Company and the purchaser relating to the goods and such terms supersede any other terms previously issued and the purchaser shall not place any reliance upon any statements, recommendations and advice whether oral or in writing given (whether before or after the acceptance by the Company of the purchaser's order) by the Company, its servants or agents as to any matter relating to the goods save where such statement, recommendations or advice is given in writing and signed by a director of the Company in response to a specific written request from the purchaser before or at the time of the Company's acceptance of the order.

3. Prices quoted by the Company are those in effect at the date of quotation. Unless otherwise agreed in writing, the Company reserves the right to increase prices when it accepts the purchaser's order so as to reflect one or more of the following: (a) Any variation that may have occurred in the costs of labour, materials, suppliers overheads and transport; (b) Any change in duty, tax, surcharge or levy of any kind whatsoever affecting the sale price of the goods; (c) Any cost to the Company resulting from delay by the purchaser in giving to the Company information sufficient to enable it to supply the goods or provide the services or resulting from any alteration made at the request of the purchaser in the specification of the goods or in the place to which they are to be delivered or shipped; (d) Any extra cost to the Company resulting from the goods being carried at the request of the purchaser by modes of transport more expensive than the Company's normal form of transport.

4. Cancellation or Return of Goods Order (a) Standard products - a charge of 25% of the nett invoice value will be made to cover the Company's administration and other costs. (b) Non-standard and special products - once manufacture has commenced, cancellation of items made to a purchaser's specific requirements will involve, in addition to the cancellation charge (referred to in paragraph a) all manufacturing and other costs incurred by the Company up to the time of cancellation. (c) Once goods

have been delivered they are not in any circumstances returnable without the Company's agreement in writing.

5. Delivery (a) Any time or date stated for delivery is given and intended as an estimate only and the Company shall not be liable for any loss or damage whatsoever resulting from any delay in delivery howsoever arising; (b) Unless otherwise stated in writing delivery shall be deemed to take place upon the occurrence of the first in time of the following, namely: (i) the physical delivery of the goods to the purchaser at the Company's works; (ii) the physical delivery of the goods to the purchaser's carrier or agent for the purpose of transmission to the purchaser or his nominee; (iii) the physical delivery of the goods to the purchaser's place of business or such other place as he may direct by the Company, its carrier or agent, the purchaser being responsible for unloading; (c) Signature of the Company's delivery note by an employee, representative or agent of the purchaser shall be conclusive proof of delivery; (d) Where the contract provides for delivery by the Company, its carrier or agent: (i) any claims for non-delivery must be made in writing to the Company within ten days of receipt of invoice or advice note whichever is the earlier; (ii) any claims in respect of goods damaged in transit or shortages in delivery must be made in writing to the Company within three days of delivery; shortages in delivery shall not give rise to a right to reject the goods delivered; (e) The Company shall be entitled to make partial deliveries or deliveries by instalments and all the provisions of these terms shall apply to such deliveries.

6. Payment (a) Unless otherwise agreed in writing, the price for the goods will be due and payable on the last business day of the month following delivery; (b) The Company shall be entitled to charge interest on any part of the price which is not paid in accordance with clause (a) at the rate per annum of 3% above the Base Rate of National Westminster Bank PLC from time to time; (c) Time of payment is of the essence and if the purchaser defaults in punctual payment of the price the Company shall be entitled to terminate the contract and recover the goods at the purchaser's expense without prejudice to any further rights which the Company may have; (d) Any default in payment of an invoice or an instalment payable on an invoice on the due date shall render the entire balance outstanding on all invoices from the Company to the purchaser immediately payable in full without demand being made notwithstanding any contrary provisions as to terms of payment in any one or all invoices; (e) If the purchaser fails to give all instructions reasonably required by the Company and all necessary documents, licences, consents and authorities for forwarding the goods or is unable to accept delivery of the goods at the time when the goods are due and ready for despatch or delivery or shall otherwise cause or request delay, the purchaser shall pay to the Company all costs and expenses, including storage and insurance charges incurred or arising from such delay during which, at the Company's absolute discretion if its storage facilities permit, the goods will be stored at the purchaser's sole risk. This provision shall be in addition to and not in substitution for any other payment or damages for which the purchaser may be liable in respect of his failure to take delivery at the appropriate date; (f) The purchaser shall not be entitled to make any deduction from the price of goods which have been delivered to the purchaser in respect of any set off or counterclaim unless both the validity and the amount thereof have been expressly admitted in writing by the Company and such admission is signed by a director of the Company; (g) In the absence of any specific appropriation by the purchaser, the Company shall have the right to appropriate any payment made by the purchaser towards the satisfaction of any invoice outstanding from time to time as the Company shall in its absolute discretion think fit.

7. Guarantee Where the goods supplied by the Company are of the Company's design and manufacture the Company will make good any defects in those goods subject to the following conditions: (a) The purchaser shall notify the Company in writing at the Company's address, 5 Brearley Court, Baird Road, Waterwells Business Park, Quedgeley, Gloucester, GL2 2AF, within 10 days of the date of delivery; (b) The Company shall be provided with an adequate opportunity to examine the goods. (c) The Company shall not be obliged to replace any goods or make any allowance or other arrangement if, in the reasonable opinion of the Company, the defect has arisen from accident, misuse, neglect, incorrect installation, lack of reasonable maintenance, or any other cause beyond the reasonable control of the Company; (d) Where the defect is reasonably attributable to the fault of the Company, the Company shall replace or repair the defective goods, but shall not be liable for any costs of removal of the defective goods, or of installation of replacement goods, nor any consequential loss or damage arising therefrom. (e) The Company will not accept any charges for remedial work which is carried out without its express authority and approval. (f) The Company's liability shall be limited to the repair or replacement of materials and components manufactured by the Seller. No goods are guaranteed by the Company for any specific length of time but are warranted to be free from defect in workmanship and materials at time of delivery. No liability can be accepted in respect of products that have become defective due to contact with corrosive liquids such as strong bleaching solutions and fluids, photographic developing liquids, immersion type silver cleaning fluids and the like which are injurious to stainless steel. (g) Where goods and components supplied by the Company are not of the Company's design and manufacture, the Company's liability shall be limited to the guarantee provided by the manufacture of such goods and components. (h) The Company shall not be under any duty arising from Section 7 of these Conditions of Sale if the purchaser is in breach of any provision of the contract with the Company until the purchaser has remedied the breach.

8. Property and Risk (a) Risk in the goods shall pass to the purchaser, at the time at which delivery takes place in accordance with clause 5 above the purchaser shall be solely responsible for insuring the goods thereafter; (b) The Company shall retain ownership of and title in the goods delivered until full payment has been made in respect of all such goods. Until such time the goods shall be: (i) stored separately from other goods in the possession of the purchaser; (ii) marked or otherwise rendered identifiable as being the property of the Company; (iii) held by the purchaser as bailee of the Company; (iv) held by the purchaser free from any charge, lien or other encumbrance (c) Provided the Company has not requested their return and notwithstanding that payment in full has not been made for all of the goods delivered, the purchaser as principal and not as agent for the Company shall be entitled to use the goods or offer for sale and sell them in the ordinary course of his business; (d) Where the purchaser sells the goods prior to paying for them in full; (i) the Company shall be legally and beneficially entitled to the proceeds of sale; (ii) the purchaser shall hold the proceeds of sale on trust for the Company and shall not mingle them with other monies and shall not pay them into an overdrawn bank account; (iii) he shall deposit the proceeds of sale in a separate bank account, the location and number of which he has previously notified to the Company, and he shall not be entitled to use or deal with the proceeds of sale until payment in full for the goods has been made to the Company; (e) The Company shall have the right at any time by its servants or agents to enter the

purchaser's premises where the goods are stored, or are thought by the Company to be stored, so as to: (i) retake possession of the goods when the Company has requested their return and the purchaser has not immediately complied with the request, such retaking or return to be without prejudice to any other rights the Company may have arising therefrom; (ii) inspect the storage of the Company's goods which have not been paid for in full; (iii) investigate and ascertain whether all these terms are being complied with.

9. Indemnity (a) The purchaser shall indemnify the Company against all loss, damages, costs and expenses suffered or incurred by the Company or to which the Company may become liable as a result of any work carried out in accordance with the purchaser's specification(s) which involves infringement or alleged infringement of a patent, registered design or other industrial property right; (b) If the purchaser uses or sells the goods in such a manner as to infringe any such rights the Company shall not be responsible for such infringement and the purchaser agrees to indemnify the Company from and against all liability arising therefrom.

10. Termination The Company shall have the right forthwith to cancel the purchaser's order if any of the following events occur and subject to enforcement of the Company's rights to recover the goods and to receive payment of the price or damages, the contract shall be deemed to have terminated:

(a) The purchaser commits any breach of his obligations to the Company; (b) Any distress or execution is levied upon any property of the purchaser; (c) The purchaser makes or offers to make any arrangement or composition with creditors or commits any act of bankruptcy or insolvency; (d) Any resolution is passed or petition presented to wind up the purchaser; (e) A receiver or administrator is appointed or any charge takes possession of all or any part of the undertaking or assets of the purchaser; (f) The purchaser stops payment or ceases or threatens to cease to carry on its business or to pay its debts and when they fall due; (g) Any remittance for payment of the whole or any part of the purchase price of the goods is dishonoured by the purchaser's bankers.

11. Assignment The purchaser shall not assign or transfer or purport to assign or transfer any contract to which these terms apply to any other person without the Company's prior written consent. The Company reserves the right to subcontract the performance of the contract of any part of it.

12. Force Majeure If the Company is prevented or delayed (directly or indirectly) from making delivery of the goods or any part thereof or from otherwise performing the contract or any part thereof by reason of war, embargo, riot, strike, lockout, trade dispute, fire, break-down of plant or machinery, inclement weather, interruption of transport, Government action, delay in delivery to the Company of any goods or materials or its control, it shall be under no liability whatsoever to the purchaser and shall be entitled at its option either to cancel the contract or without any liability to extend the time or times for delivery by a period equivalent to that during which such delivery has been prevented.

13. Proper Law The contract and these terms shall be governed by English law and the purchaser shall submit to the sole jurisdiction of the English Courts.

All product information contained in the catalogue including illustrations, specifications and dimensions, is believed to be correct at the time of printing but due to ongoing product development is subject to change without notice.



CONTACT:

ADDRESS: 5 BREARLEY COURT
BAIRD ROAD
WATERWELLS BUSINESS PARK
QUEDGELEY
GLOUCESTER
GL2 2AF

TELEPHONE: **01452 721 211**

FAX: **01452 721 231**

EMAIL: **SALES@ACORNTHORN.CO.UK**

WEB: **WWW.ACORNTHORN.CO.UK**